

MOLDED CASE CIRCUIT BREAKER

DC1500V/1000V



		Ref. Certif. No. HU-003449
IEC SYSTEM FOR MUTUAL RECOGNITION OF TEST CERTIFICATES FOR ELECTRICAL EQUIPMENT (IECEE) CB SCHEME		
CB TEST CERTIFICATE		
Product Name and address of the applicant Name and address of the manufacturer Name and address of the factory Trademark (if any) Customer's Testing Facility (CTF) Stage used Model / Type Ref. Additional information (if necessary may also be reported on page 2) A sample of the product was tested and found to be in conformity with As shown in the Test Report Ref. No. which forms part of this Certificate	Moulded Case Circuit Breaker SUNTREE Electric Group Co., Ltd. Xinguang Industrial Zone, Liushi Town, Yueqing City, Zhejiang, P.R. China SUNTREE Electric Group Co., Ltd. Xinguang Industrial Zone, Liushi Town, Yueqing City, Zhejiang, P.R. China SUNTREE Electric Group Co., Ltd. Xinguang Industrial Zone, Liushi Town, Yueqing City, Zhejiang, P.R. China SUNTREE N/A SMB-320HPV SMB-400HPV SMB-630HPV Detailed information refer to test report CN217FK 001. IEC 60947-2:2014+A1 CN217FK 001	This CB Test Certificate is issued by the National Certification Body TÜV Rheinland InterCert Kft., MEEI Division B-1143 Budapest, Giszella út 51-57., Hungary Web: www.tuv.com Date: 2021-05-28 Signature: Wencai Zhang
This is an electronically released document. The authenticity of this certificate can be verified on the IECCE Website "http://certificates.ieccec.org"		

CERTIFICATE of Conformity Low Voltage Directive 2014/35/EU	
Registration No.: AN 50498176 0001 Report No.: CN21BRXR 001	Holder: SUNTREE Electric Group Co., Ltd. Xinguang Industrial Zone, Liushi Town, Yueqing City Zhejiang P.R. China
Product: Moulded case circuit breaker (MCCB)	Identification: Type Designation: SMB-63C # SMB-63L # SMB-63M (Suntree) Serial No.: Engineering sample Remark: Issued in conjunction with TÜV Rheinland license R 50497350 0001.
This certificate of conformity is based on an evaluation of a sample of the above mentioned product. Technical Report and documentation are at the Licence Holder's disposal. This is to certify that the tested sample is in conformity with Annex I of Council Directive 2014/35/EU, referred to as the Low Voltage Directive. This certificate does not imply assessment of the series-production of the product and does not permit the use of a TÜV Rheinland mark of conformity. The holder of the certificate is authorized to use this certificate in connection with the EC declaration of conformity according to Annex IV of the Directive.	
Certification Body Date: 29.03.2021 Hao Zheng TÜV Rheinland LGA Products GmbH - Tillystraße 2 - 90431 Nürnberg The CE marking may be used if all relevant and effective EC Directives are complied with.	

CERTIFICATE of Conformity Low Voltage Directive 2014/35/EU	
Registration No.: AN 50505287 0001 Report No.: CN21QMJO 001	Holder: SUNTREE Electric Group Co., Ltd. Xinguang Industrial Zone, Liushi Town, Yueqing City Zhejiang P.R. China
Product: Moulded case circuit breaker (MCCB)	Identification: Type Designation: SMB-320HPV ; SMB-400HPV ; SMB-630HPV Serial No.: Engineering sample Remark: Issued in conjunction with TÜV Rheinland license R 50505244 0001.
This certificate of conformity is based on an evaluation of a sample of the above mentioned product. Technical Report and documentation are at the Licence Holder's disposal. This is to certify that the tested sample is in conformity with Annex I of Council Directive 2014/35/EU, referred to as the Low Voltage Directive. This certificate does not imply assessment of the series-production of the product and does not permit the use of a TÜV Rheinland mark of conformity. The holder of the certificate is authorized to use this certificate in connection with the EC declaration of conformity according to Annex IV of the Directive.	
Certification Body Date: 28.05.2021 Hao Zheng TÜV Rheinland LGA Products GmbH - Tillystraße 2 - 90431 Nürnberg The CE marking may be used if all relevant and effective EC Directives are complied with.	

Zertifikat Certificate	
Zertifikat Nr. / Certificate No. R 50505244	Blatt / Sheet 0001
Ihr Zeichen / Client Reference L.X.F.	Unser Zeichen / Our Reference 01-DJL-CN21QMJO 001
Ausstellungsdatum / Date of Issue 28.05.2021	(day/month/year)
Genehmigungsinhaber / License Holder SUNTREE Electric Group Co., Ltd. Xinguang Industrial Zone, Liushi Town, Yueqing City Zhejiang P.R. China	Fertigungstätte / Manufacturing Plant SUNTREE Electric Group Co., Ltd. Xinguang Industrial Zone, Liushi Town, Yueqing City Zhejiang P.R. China
Prüfzeichen / Test Mark 	Geprüft nach / Tested acc. to EN 60947-2:2017+A1
Zertifiziertes Produkt (Geräteidentifikation) Certified Product (Product Identification)	Lizenzentgelte - Einheit License Fee - Unit
Moulded case circuit breaker (MCCB)	8
Type Designation : SMB-320HPV ; SMB-400HPV ; SMB-630HPV	8
Intended for Use : Photovoltaic (PV) systems Reference Temperature : +50°C Selectivity Category : A Number of Poles : 4P Appearance Rated Operation Voltage(Ue) : DC1000V, DC1250V, DC1500V Rated Current(In) : SMB-320HPV:320A, 400A; SMB-400HPV:350A, 400A; SMB-630HPV:500A, 630A	8
Rated Ultimate Short-circuit Breaking Capacity(Icu) : 20kA(1000V); 15kA(1250V, 1500V) Rated Service Short-circuit Breaking Capacity(Ics) : Same as Icu Rated Insulation Voltage(Ui) : 1500V Rated Impulse Withstand Voltage (Uimp) : 12,0kV Suitability of Isolation : Yes Pollution Degree : 3	8
ANLAGE (Appendix) : 1	8
Dem Zertifikat liegt unsere Prüf- und Zertifizierungsordnung zugrunde und es bestätigt die Konformität des Produktes mit den oben genannten Standards und Prüfgrundlagen. Zusätzliche Anforderungen in Ländern, in denen das Produkt in Verkehr gebracht werden soll, müssen zusätzlich betrachtet werden. Die Herstellung des zertifizierten Produktes wird überwacht. This certificate is based on our Testing and Certification Regulations and states the conformity of the product with the standards and testing requirements as indicated above. Any additional requirements in countries where the product is going to be marketed have to be considered additionally. The manufacturing of the certified product is subject to surveillance. TÜV Rheinland LGA Products GmbH, Tillystraße 2, 90431 Nürnberg Tel.: +49 221 806-1371 e-mail: cert-validity@de.tuv.com Fax: +49 221 806-3915 http://www.tuv.com/safety	
Zertifizierungsstelle Hao Zheng	



SM8-630HPV
4P DC1500V



SM8-250HPV
3P DC1500V



SM8-250HPV
2P DC1000V



CURRENT REFERENCE

Product Model	Rated Current
SM8-250HPV/2	100/125/160/200/225/250A
SM8-250HPV/3	100/125/160/200/225/250A
SM8-630HPV/4	400/500/630A

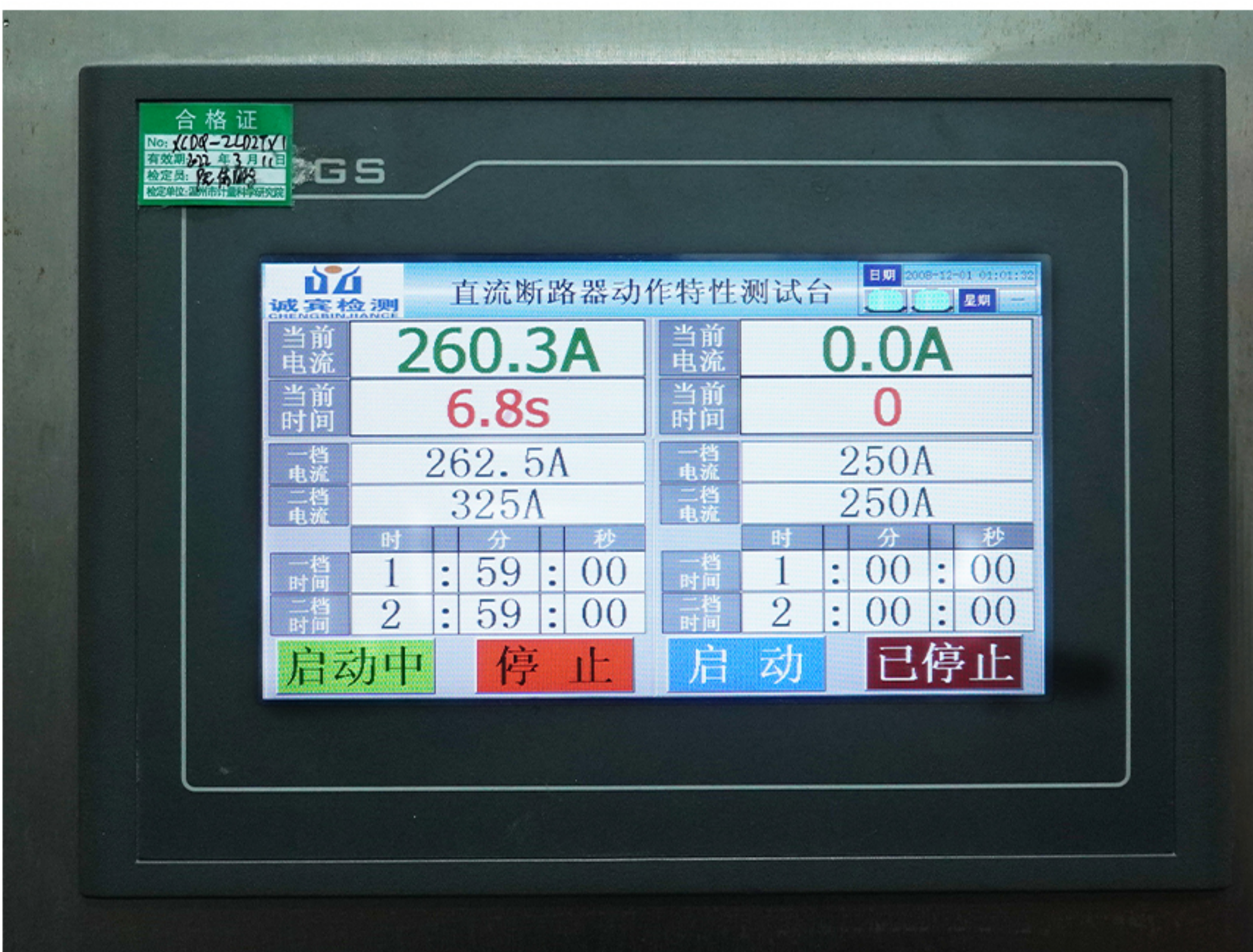


Place the product in the test box for **48 hours**, set a high temperature of **85°C**, a humidity of **95%**, and a low temperature of **-20°C** to simulate whether the extreme environment affects the product.



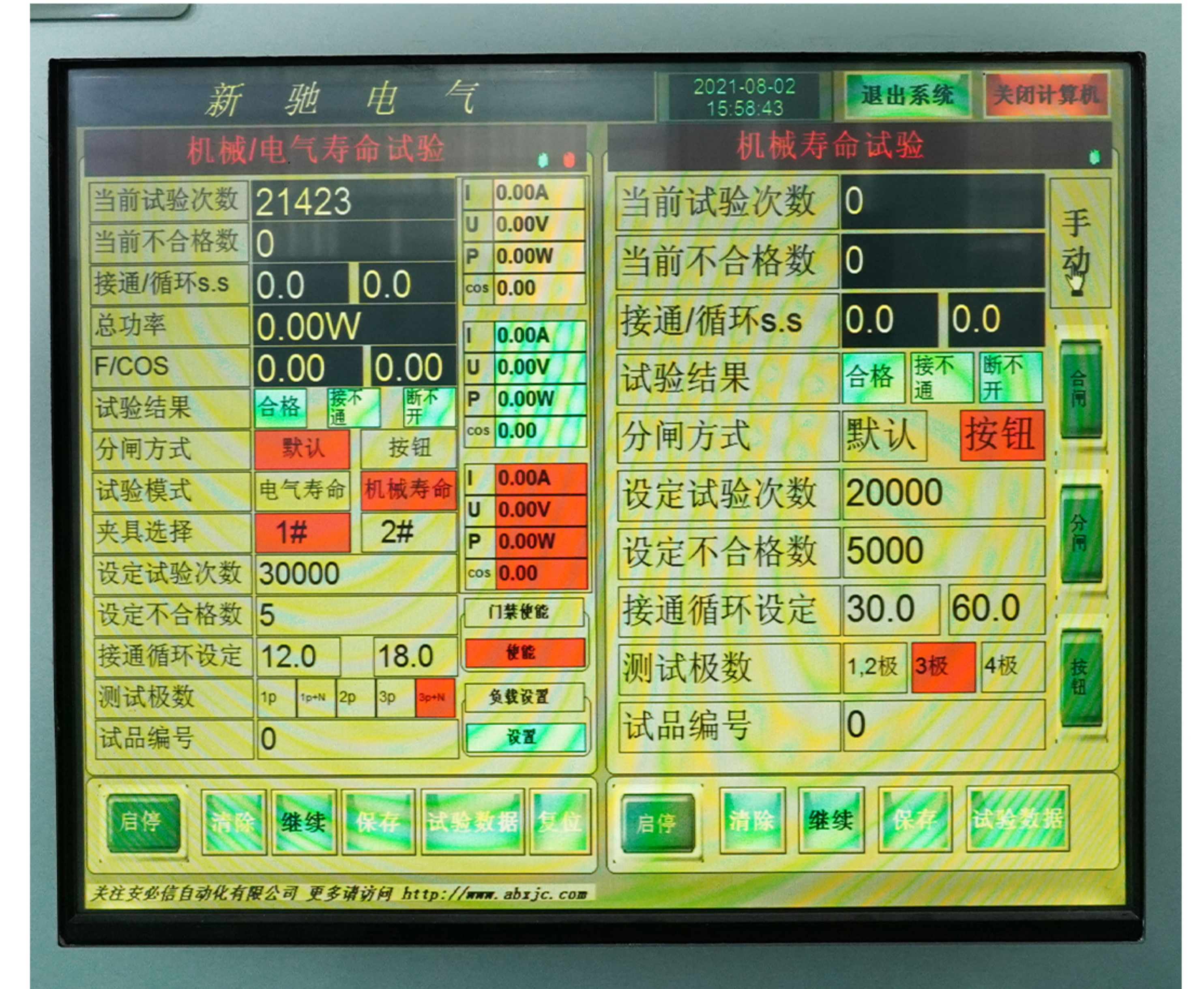
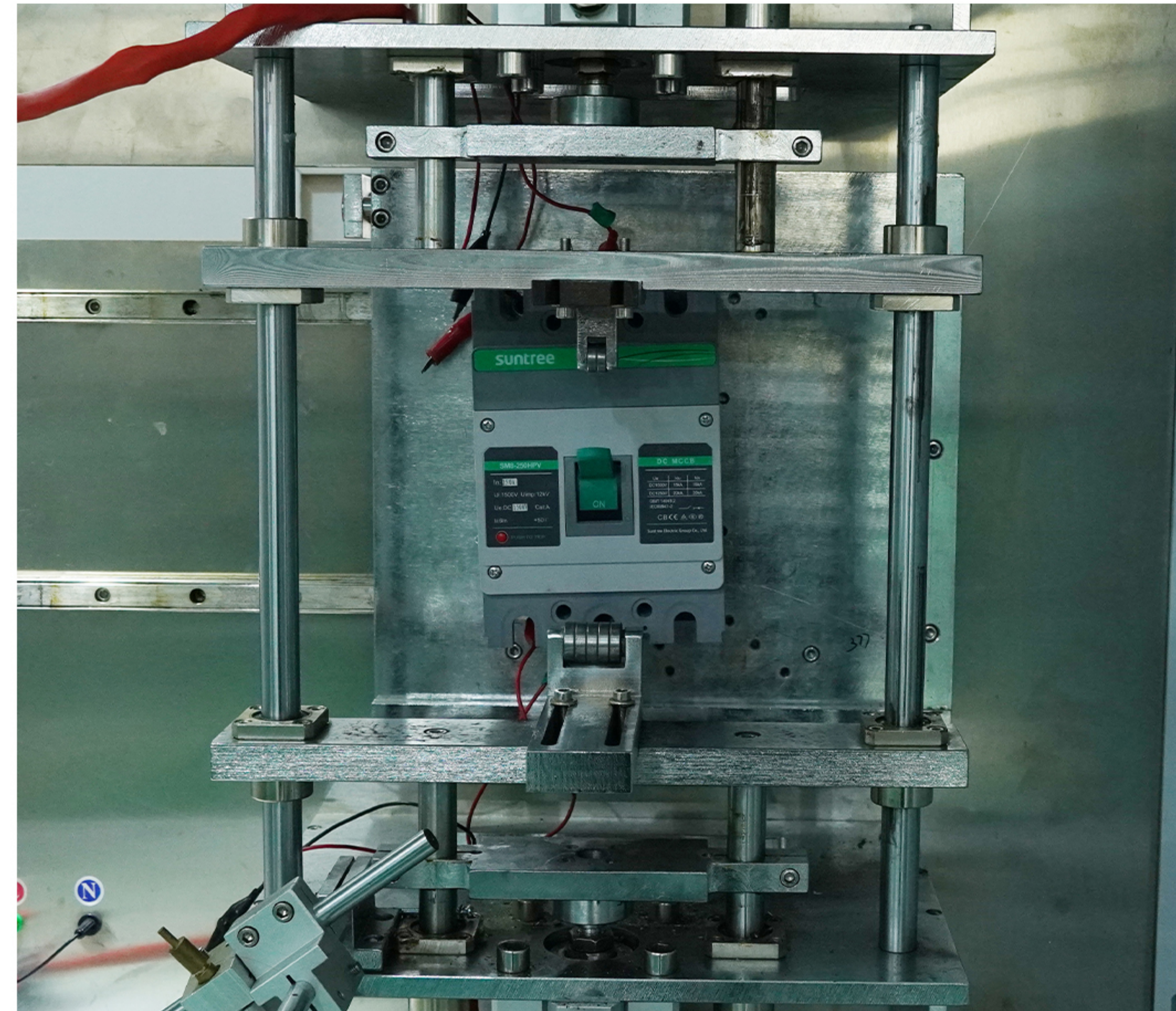
The temperature rise test is one of the important tests to ensure the safety and stability of the product. The purpose is to detect whether the internal copper and iron parts of the product meet the national standards.

The ambient temperature is required to be between **-10** and **40°C**, the measured temperature-ambient temperature is **less than 70K**, the requirement is not more than 8 hours and the temperature change per hour is **less than 1K** to be qualified.

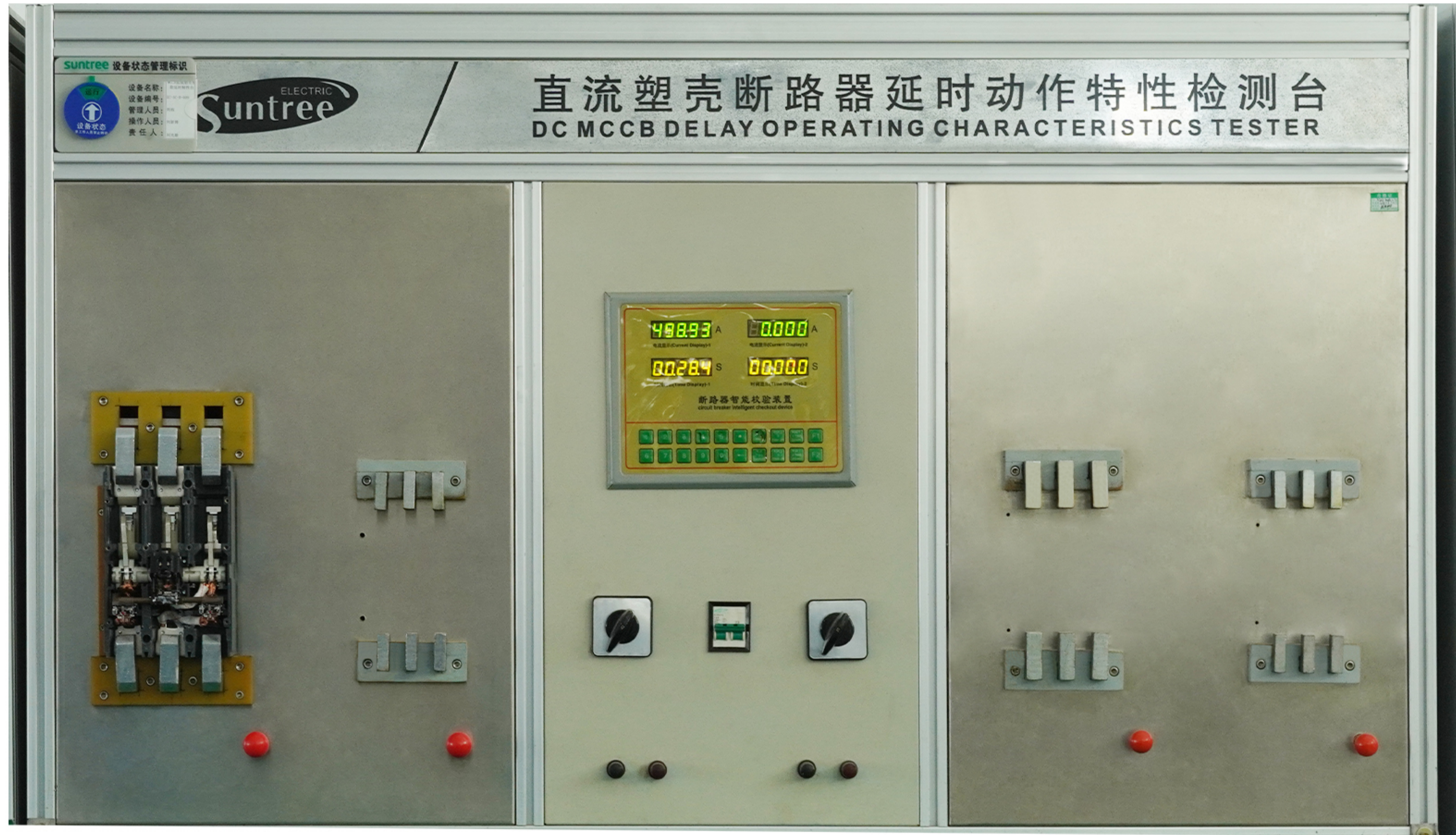


Standard long time delay characteristic test is a detection method of overload protection, the purpose is to verify whether the time delay is accurate.

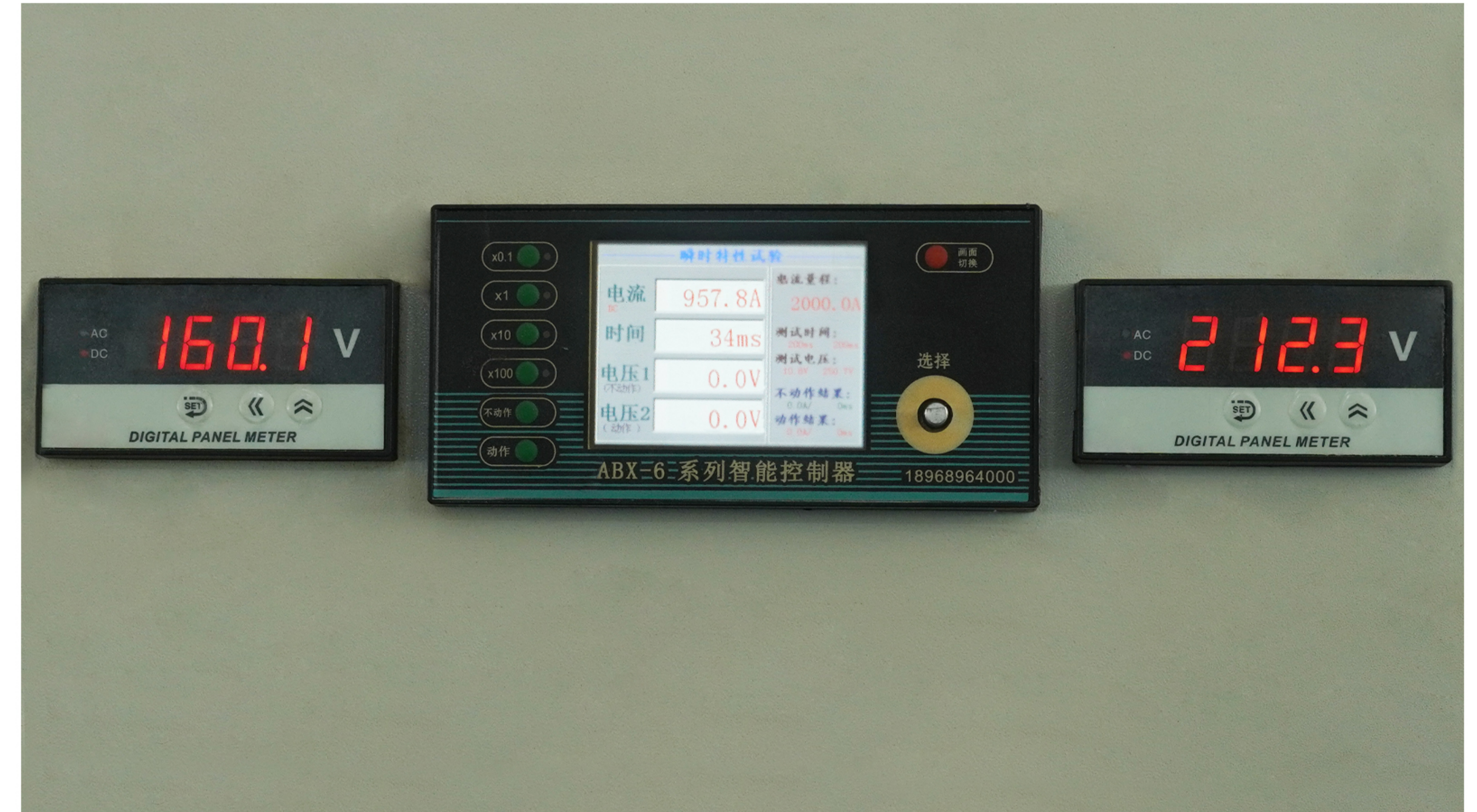
Within 2 hours, pass the current **1.05** times the rated current of the product, and it will not operate. After the end, switch to a current **1.3** times the rated current of the product and operate within 2 hours.



8000 times of opening and closing under power failure, test handle utilization.



Between 220 seconds to 250 seconds, use **twice the current of the product** to test the tripping performance of the product under overload current.



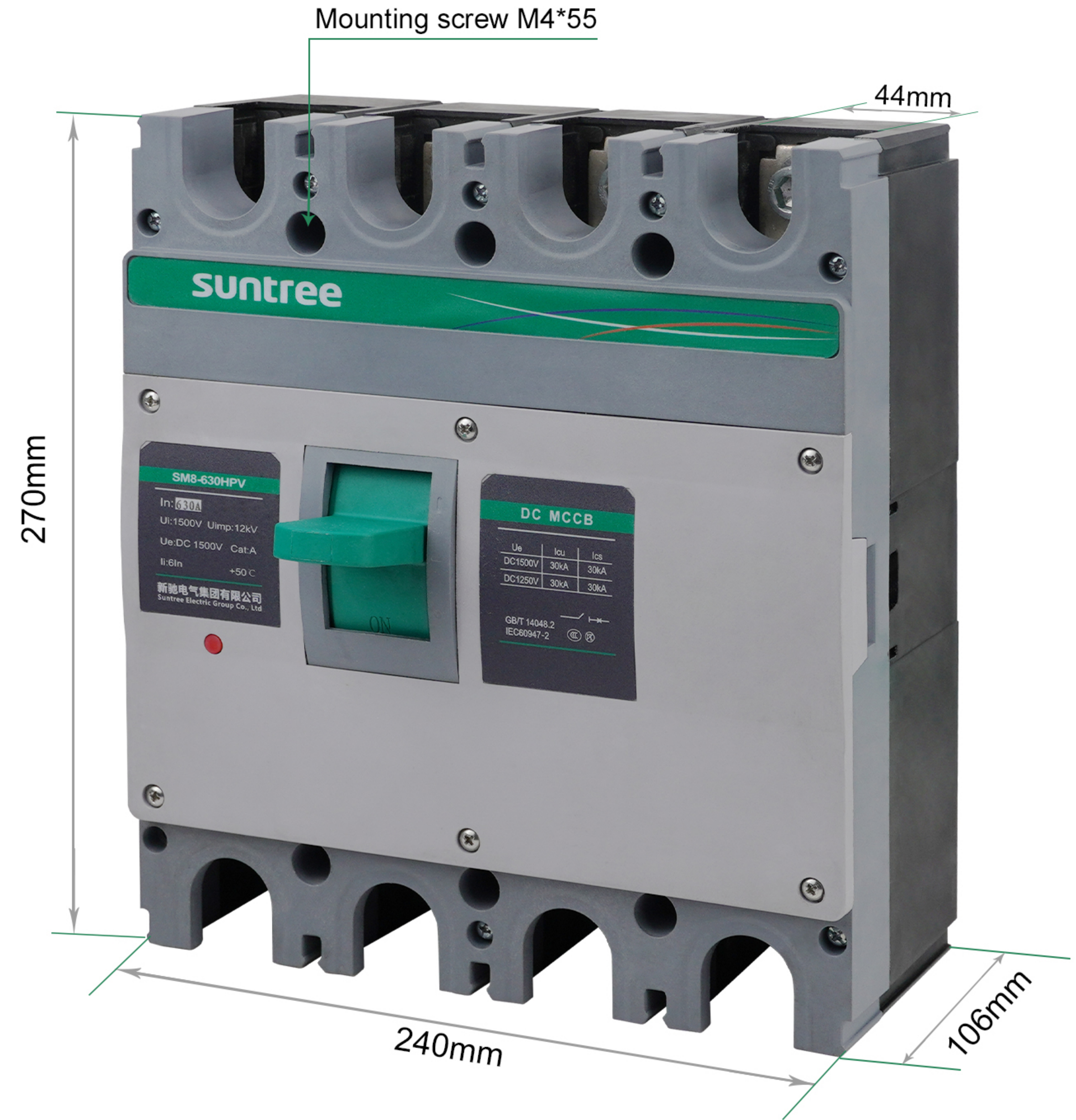
Within 200 seconds, use 5-7 times of the product current to test the short-circuit trip function.



shockproof

Anti-fall

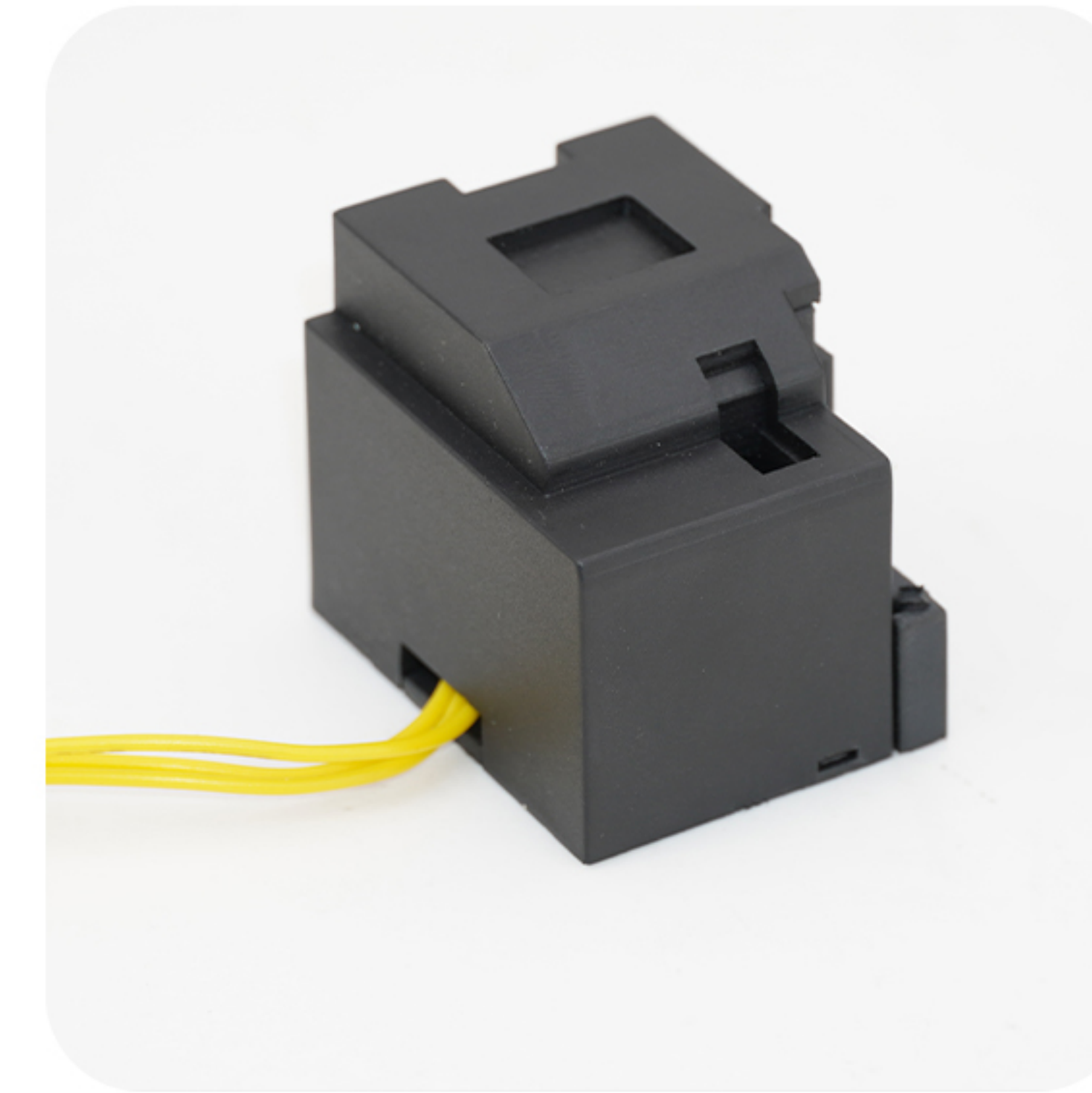
Prevent product damage in transit.





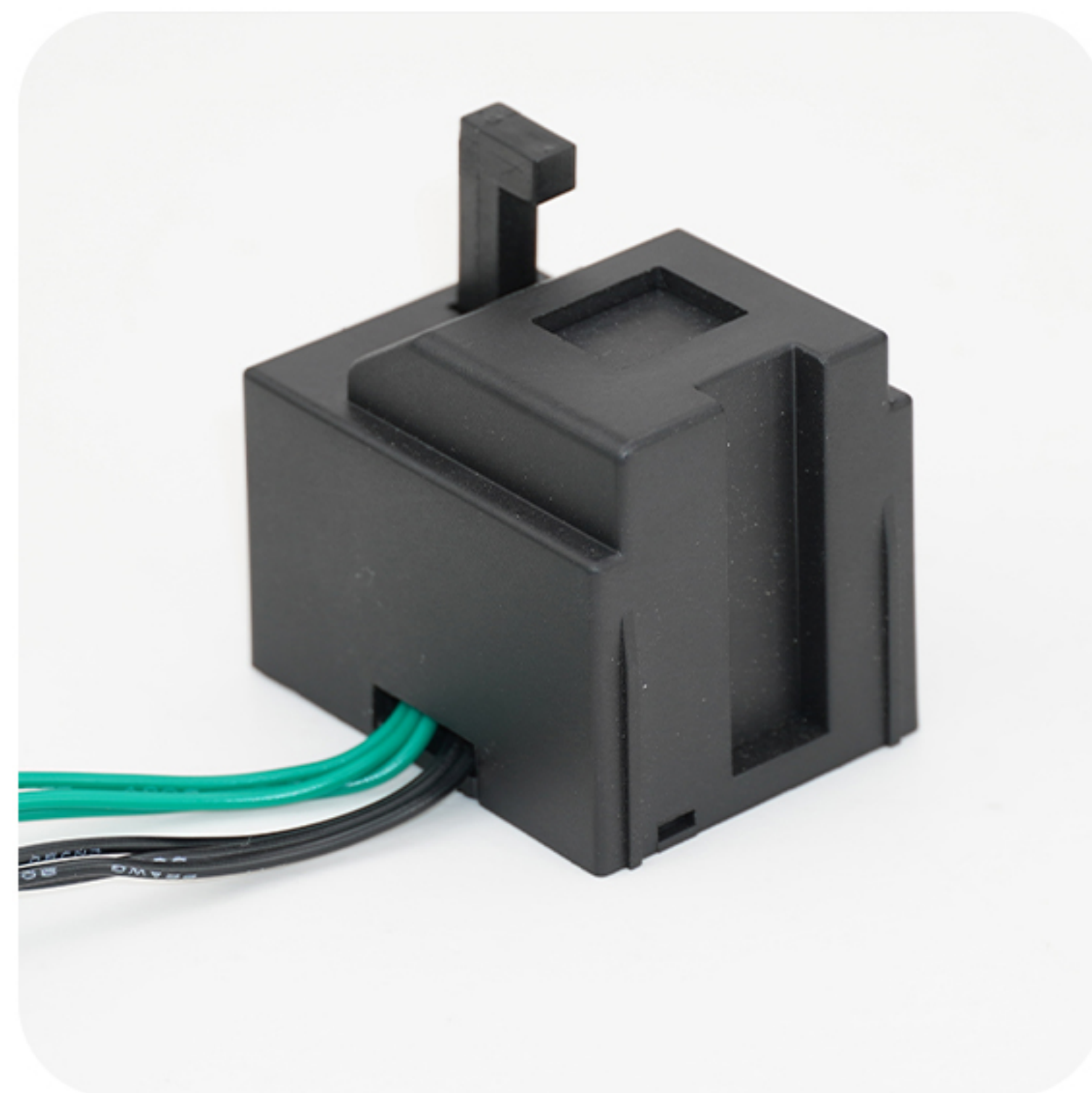
MX

Mainly used for remote control switch opening,
Control to disconnect the circuit.



OF

Communicate the working status signal
of the circuit breaker.



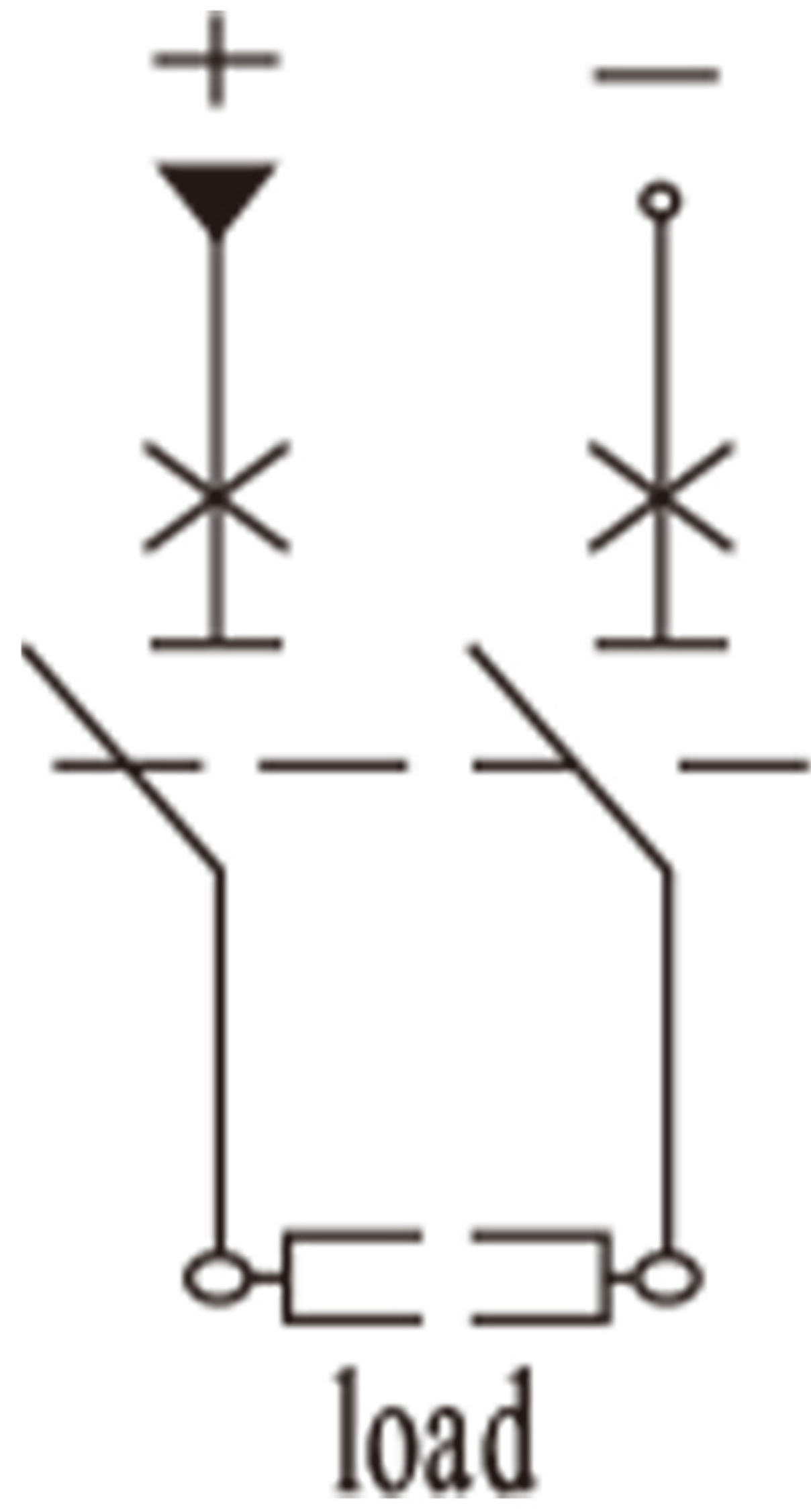
SD

There is a problem with the line,
and an alarm signal will be issued after the trip.

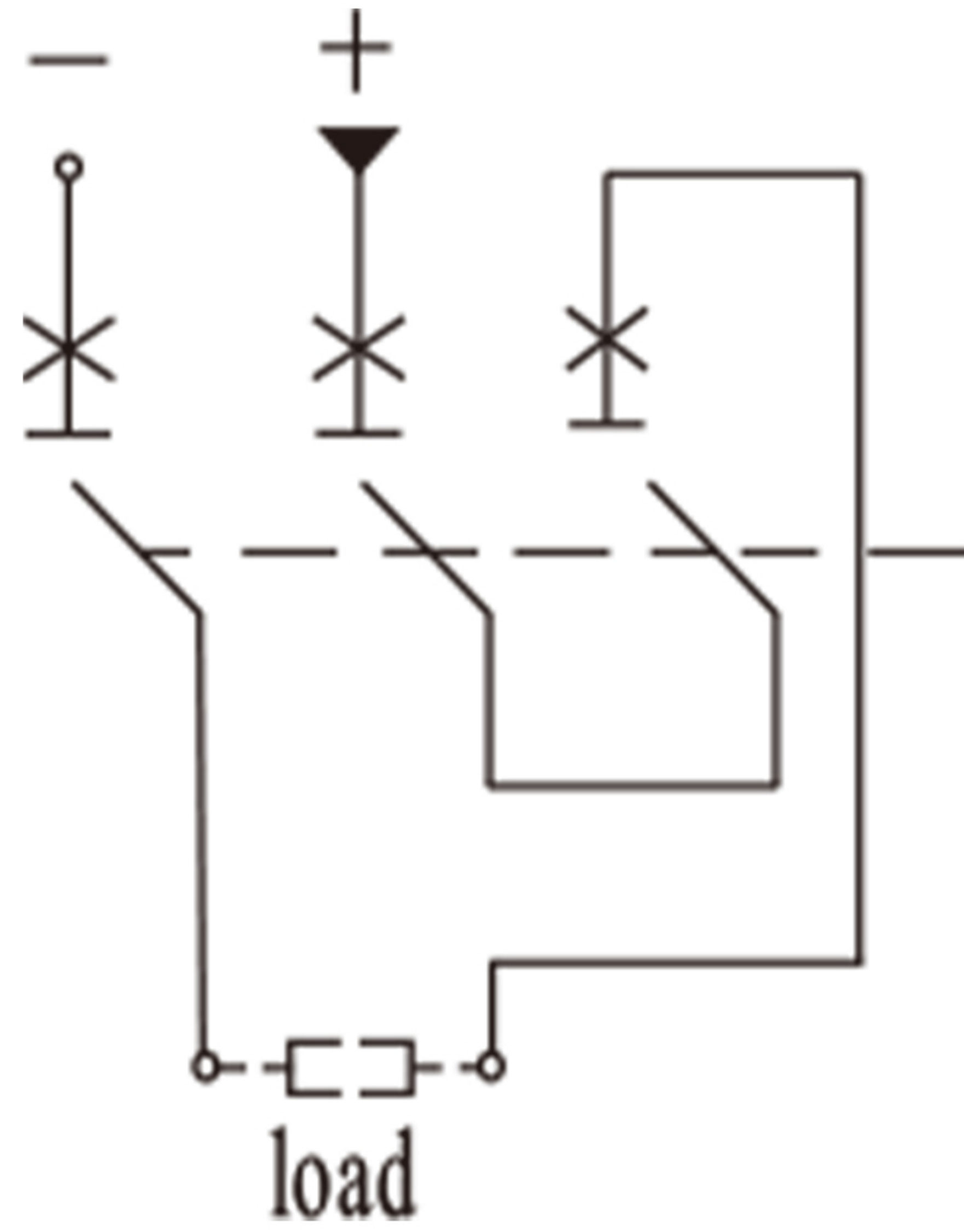


630A Arc Shield(Standard)

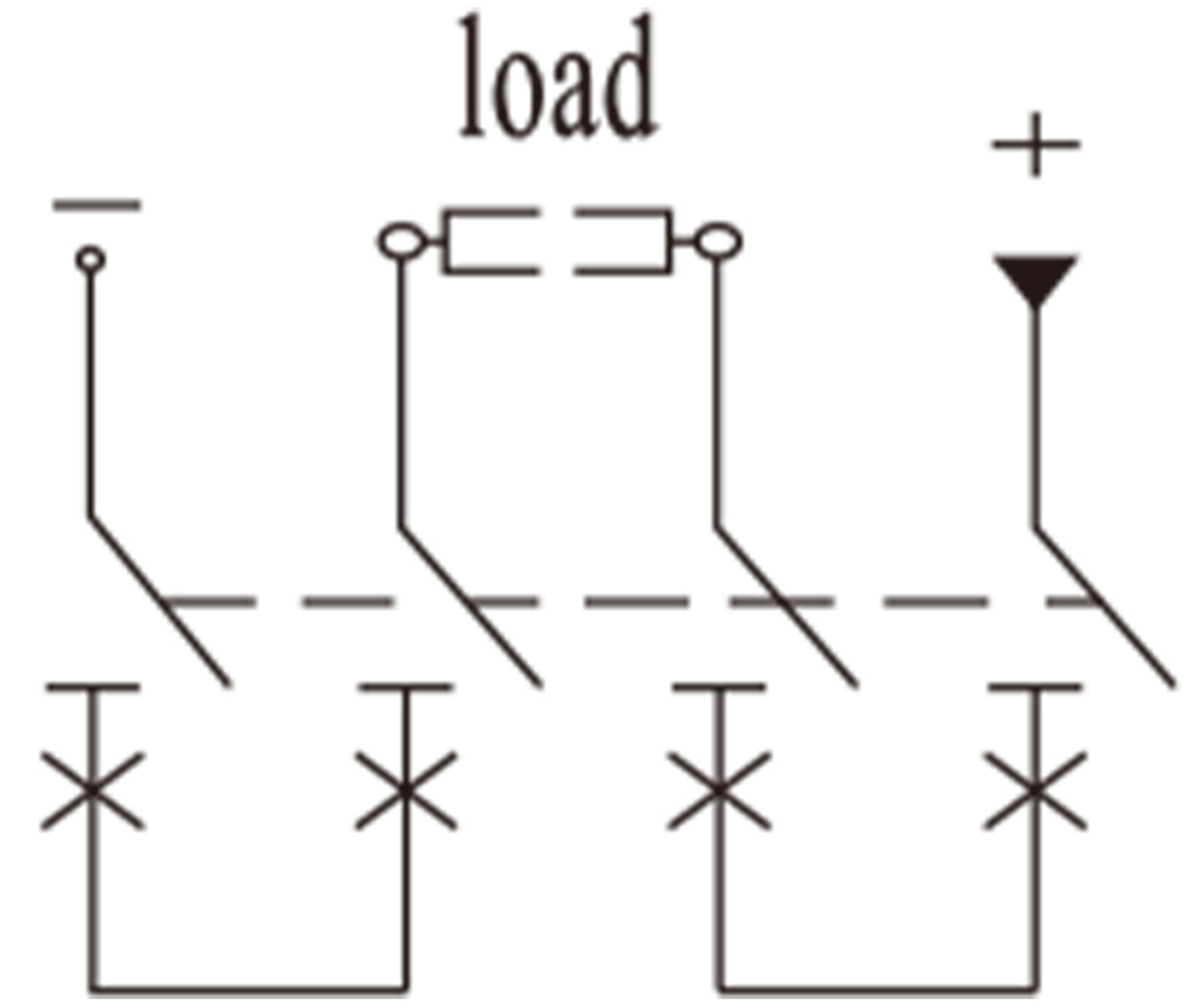
Effectively isolate the external ignition arc.



2P



3P



4P





Inner box sticker

MCCB
 Item: SM8-250HPV Type: DC1000V
 In: 125A QTY: 1 PCS
 Date: 2021.07
 Suntree Electric Group Co., Ltd



Outer box sticker

MCCB
 Item: SM8-250HPV
 Type : DC1500V
 In : 250 A
 QTY : 4PCS
 Date : 2021.06
 Contract No: 35130
 Suntree Electric Group Co., Ltd



When the product is put into storage, the label on the box can conveniently count and identify the quantity, which is convenient to find and improving work efficiency.

suntree
human technology nature

// www.chinasuntree.com