

ZHEJIANG XINCHI ELECTRIC CO.,LTD.

Add: Wanjia Industrial Zone, Malujiao, NorthBaixiang,  
Wenzhou, Zhejiang, China

Tel:0086 577 62890205

Fax:0086 577 62890578

E-mail:julie@chinasuntree.com

<http://www.chinasuntree.com>

These are only a part of our products in this guide catalogue;if you need more information,please contact us; Because of rapid product technology innovation,the products in this guide should be based on practical products or user manual, if any changements,please forgive us not to inform separately.



This manual is printed by environmentally-friendly paper,  
SUNTREE Electric. All rights reserved. ST1206E

## Relay and temperature controller



ZHEJIANG XINCHI ELECTRIC CO.,LTD.

[www.chinasuntree.com](http://www.chinasuntree.com)







Innovative technology leads to better future.  
professional working makes excellent quality.





## Company Profile

Zhejiang XinChi Electric Co.,Ltd is the best one,which stands out above the rest in China intelligent low voltage electrical field,meanwhile it is a grouping company in the "city of electrical".There are four branch companies subordinate to it:Yueqing Xinchi Electric Sci-Tech Co.,Ltd,Yueqing Imp&Exp Co.,Ltd,HK Yangming Electrical Technology Co.,Ltd and Wenzhou Litto smart Co.,Ltd.Moreover.there are 320 workers,the annual output value breakthrough one hundred million,and the export value arrive at ten million.

We always pay attention to manufacture and sell automatic industrial and control system,modular intelligent electrical equipments,such as circuit breakers,residual circuit breakers,contactors,isolators,solid state relay,control and protect switch ,automatic transfer switch ,electrical fire detecting system,surger protect device,multifunctional meter and new energy system fittings etc.

Especially DC circuit breaker, DC isolating switch, DC fuse, busbar chamber, waterproof switch and other products with leading technical level in this field.. We are the first domestic company with CE, CB, IEC, Nemko, SAA, TUV, ISI, Golden Sun certification and CCC certification. Our products are widely used by domestic famous enterprises, and it has become a OEM partner of many international famous brands.

We have fully implement the ISO9001: 2008 quality management system. It adopts advanced production equipment and precision detecting equipment, introduces high-tech process and high technology talents to provides powerful guarantee for product development, quality upgrading and management innovation of the company.

In order to seek after the excellence,Xinchi will continue to carry on the spirit of "practice ,honesty,innovation,active" ,insist on the policy of "technology promotes industry,Brand promotes industrial" ,and we believe in " Technology innovation,famous in the world" ,working hard to let" XINCHI electric brand" walk towards to the world.

# Contents

Time Switch	01-02
Time Relay	03-08
Liquid Level Controller	09-10
Counter	11-12
Motor Protector	13-14
Temperature controller	15-19
Humidity controller	20-21
Meter	22-23
Thermocouple	24-26
PCB Relay	27-29
General Purpose Relay	30-31
Power Relay	32-33
Solid State Relay	34-38
Heat Sink	39
Relay Socket	40

# CONTENTS





CLASSIFICATION		TIMER
MODEL		SUL 181H
CONTACT CAPACITY		AC220V 16A
FULL TIMING RANGE		24h
CONTACT RESISTANCE		≤50mΩ
INSULATION RESISTANCE		≥100mΩ
COIL VOLTAGE		220VAC
LIFE	ELECTRICAL	10 <sup>7</sup> times
	MECHANICAL	10 <sup>5</sup> times
OPERATING TEMPERATURE		-40°C~+55°C
STORAGE BATTERY		Time 150h
SET UP TIMES		30 m/per times 48 times
REMARKS		-



Type:	SUL 180a
Contact Capacity:	AC110V, 220-240V 16A
Contact Resistance:	≤50mΩ
Insulation Resistance:	≥100mΩ
Life Electrical:	10 <sup>6</sup> times
Life Mechanical:	10 <sup>7</sup> times
Operating Temperature:	-40°C~+55°C
Minimum Set Up Times:	90 times 15 m/per times
	Din rail 35mm or other



Type:	ALST8
Contact Capacity:	AC220V 16A
Contact Resistance:	≤50mΩ
Insulation Resistance:	≥100mΩ
Life Electrical:	10 <sup>6</sup> times
Life Mechanical:	10 <sup>7</sup> times
Operating Temperature:	-40°C~+55°C
Set up times:	1M, 1.5M, 2M, 2.5M, 3M, 3.5M, 4M, 4.5M, 5M, 5.5M, 6M, 6.5M, 7M





Type:	DHC15
Operating voltage:	DC24V 50Hz
Control range:	1m~168h
Error:	≤ ± 0.5S/Day
Programmable number:	10 group switches are programmed each day
Contact capacity:	16A AC220V(resistance)
Battery:	rechargeable battery(equipped)
Outline dimensions:	86 × 36 × 65mm
Mounting style:	35mm rail mounting type



Type:	DHC8A-1A HHQ8-2、4、6
Operating voltage:	DC24V 50Hz
Control range:	1m~168h
Error:	≤ ± 0.5S/Day
Programmable Number:	HHQ8-16 groups switch programming HHQ8-1-40groups switch programming HHQ8-2 total 8 groups HHQ8-4、6 total 40 groups
Output:	HHQ8: 1way output HHQ8-1: 1way output HHQ8-2、4、6: 2、4、6way output
Contact capacity:	HHQ8 20A AC220V(resistance) HHQ8-2、4、6 single way ≤ 500W
Battery:	rechargeable battery(equipped)
Outline dimensions:	100 × 50 × 71mm
Mounting style:	35mm rail mounting type



Type:	Strengthen type Super Type
Dimension:	113 × 64 × 42
Control Power:	< 5KW
Contact Capacity:	AC250V 5A
Contact Electrical Life:	10 × 10 <sup>4</sup>
Delay Accuracy:	~20°C~+70°C
Working Voltage:	AC:220V 50Hz
Installation:	35mm Standard Din Rail Type



Type:	ALC18
Contact Capacity:	AC220V 16A
Contact Resistance:	≤ 50mΩ
Insulation Resistance:	≥ 100mΩ
Life Electrical:	10 <sup>5</sup> times
Life Mechanical:	10 <sup>7</sup> times
Operating Temperature:	-40°C~+55°C
Set up times:	0.5M, 5M, 10M, 15M, 20M



Type:	TB-35
Contact capacity:	AC220V 10A
Full timing range:	24h
Contact resistance:	≤ 50mΩ
Insulation resistance:	≥ 1000MΩ
Coil voltage:	100~240V AC
Electrical life:	10 <sup>5</sup> Times
Mechanical life:	10 <sup>7</sup> Times
Operating temperature:	-40°C~+55°C
Storage battery:	Without battery
Minmum setting unit:	15 Minutes
Set up times:	15m/per times 96 times



Type:	TB-38B
Contact capacity:	AC220V 10A
Full timing range:	24h
Contact resistance:	≤ 50mΩ
Insulation resistance:	≥ 1000MΩ
Coil voltage:	100~240V AC
Electrical life:	10 <sup>5</sup> Times
Mechanical life:	10 <sup>7</sup> Times
Operating temperature:	-40°C~+55°C
Storage battery:	Without battery
Minmum setting unit:	15 Minutes
Set up times:	15m/per times 96 times



Type:	ST3P-P
Dimension:	57 × 41 × 84
Work Form:	Power on Delay
Contact form:	2Z Delay Contact
Contact Capacity:	AC250V 5A
Contact Electrical Life:	10 × 104
Operation Temperature:	~5°C~+40°C
Delay Accuracy:	≤0.5%
Working Voltage:	AC:50Hz、36V、110V、127V、220V、380V;DC:12V、24V
Delay Specification:	1s~9.9s、1s~99s 0.1m~99m、1m~99m 0.1h~99h、1h~99h
Installation:	Device, Din Rail Type



Type:	AH2-Y
Dimension:	93 × 58 × 88mm
Work Form:	Power on Delay
Contact Form:	1Z Instant Contact 1Z Delay Contact
Contact Capacity:	AC250V 5A
Contact Electrical Life:	10 × 104
Operation Temperature:	~5°C~+40°C
Delay Accuracy:	≤0.5%
Working Voltage:	AC:50Hz、36V、110V、127V、220V、380V;DC:12V、24V
Delay Specification:	0.1S~12h
Installation:	Front-Panel Type



Type:	AH2-N
Dimension:	78 × 50 × 92
Work Form:	Power on Delay
Contact Form:	1Z Instant Contact 1Z Delay Contact
Contact Capacity:	AC250V 5A
Contact Electrical Life:	10 × 104
Operation Temperature:	~5°C~+40°C
Delay Accuracy:	≤0.5%
Working Voltage:	AC:50Hz、36V、110V、127V、220V、380V;DC:12V、24V
Delay Specification:	0.1S~12h 0.1S~12h
Installation:	Device Type



Type:	ATDV-Y
Dimension:	90 × 58 × 88
Work Form:	Cycle Delay
Contact Form:	1Z Delay Contact
Contact Capacity:	AC250V 5A
Contact Electrical Life:	10 × 104
Operation Temperature:	~5°C~+40°C
Delay Accuracy:	≤0.5%
Working Voltage:	AC:50Hz、36V、110V、127V、220V、380V; DC: 12V、24V
Delay Specification:	0.1S~12h
Installation:	Front-Panel Type



Type:	ST2P
Dimension:	51 × 41 × 83
Work Form:	Power on Delay
Contact Form:	1Z Instant Contact 1Z Delay Contact
Contact Capacity:	AC250V 5A
Contact Electrical Life:	10 × 104
Operation Temperature:	~5°C~+40°C
Delay Accuracy:	≤0.5%
Working Voltage:	AC:50Hz、36V、110V、127V、220V、380V; DC: 12V、24V
Delay Specification:	0.1s~12h
Installation:	Din Rail, Device Type



Type:	ATDV-N
Dimension:	93 × 49 × 78
Work Form:	Cycle Delay
Contact Form:	1Z Delay Contact
Contact Capacity:	AC250V 5A
Contact Electrical Life:	10 × 104
Operation Temperature:	~5°C~+40°C
Delay Accuracy:	≤0.5%
Working Voltage:	AC:50Hz、36V、110V、127V、220V、380V; DC: 12V、24V
Delay Specification:	0.1S~12h
Installation:	Device Type





Type:	ASY-3D
Dimension:	90 × 58 × 88
Work Form:	Power on Delay
Contact Form:	2Z Delay
Contact Capacity:	AC250V 5A
Contact Electrical Life:	10 × 10 <sup>4</sup>
Operation Temperature:	~5°C~+40°C
Delay Accuracy:	≤0.5%
Working Voltage:	AC: 50Hz, 36V, 110V, 127V, 220V, 380V; DC: 12V, 24V
Delay Specification:	0.1s~99.9s, 1s~999s, 1m~999m
Installation:	Front-Panel Type



Type:	DH48S-S
Dimension:	123 × 48 × 48
Work Form:	Cycle Delay
Contact Form:	1Z Delay
Contact Capacity:	AC250V 5A
Contact Electrical Life:	10 × 10 <sup>4</sup>
Operation Temperature:	~5°C~+40°C
Delay Accuracy:	≤0.5%
Working Voltage:	AC: 50Hz, 36V, 110V, 127V, 220V, 380V; DC: 24V
Delay Specification:	0.01s~99h
Installation:	Front-Panel, Din Rail, Device



Type:	NTE8-10B
Work Form:	Power on Delay
Contact form:	1Z Delay Contact
Contact:	NO
Contact Electrical Life:	10 <sup>4</sup>
Operation Temperature:	> 1.5MΩ
Working Voltage:	5A AC230V 5V; DC30V 1V
Normal rated power:	< 1W
Delay Specification:	0.1s~10s, 10s~120s, 30s~480s
Installation:	Din Rail Type



Type:	ST3PF
Dimension:	57 × 41 × 84
Work Form:	Power-off Delay
Contact form:	1Z Delay Contact
Contact Capacity:	AC250V 5A
Contact Electrical Life:	10 × 10 <sup>4</sup>
Operation Temperature:	~5°C~+40°C
Delay Accuracy:	≤0.5%
Working Voltage:	AC: 50Hz, 36V, 110V, 127V, 220V, 380V; DC: 12V, 24V
Delay Specification:	1s, 5s, 10s, 30s, 60s, 120s, 180s
Installation:	Device, Din Rail, Front-Panel Type



Type:	DH48S
Dimension:	123 × 48 × 48
Work Form:	Power on Delay
Contact Form:	DH48S-1Z(DH48S-1Z Delay) DH48S-2Z(DH48S-2Z Delay) DH48S-11(DH48S-11 2Z Delay)
Contact Capacity:	AC250V 5A
Contact Electrical Life:	10 × 10 <sup>4</sup>
Operation Temperature:	~5°C~+40°C
Delay Accuracy:	≤0.5%
Working Voltage:	AC: 50Hz, 36V, 110V, 127V, 220V, 380V; DC: 24V
Delay Specification:	1~9999 10~99990 100~999900
Installation:	Front-Panel, Din Rail, Device



Type:	ST3PK
Dimension:	57 × 41 × 84
Work Form:	Power-off Delay
Contact form:	1Z Delay Contact
Contact Capacity:	AC250V 5A
Contact Electrical Life:	10 × 10 <sup>4</sup>
Operation Temperature:	~5°C~+40°C
Delay Accuracy:	≤0.5%
Working Voltage:	AC: 110V, 220V, DC, 24V
Delay Specification:	1s, 2s, 5s, 10s, 30s, 60s, 180s
Installation:	Device, Din Rail, Front-Panel Type



Type:	ST3PR
Dimension:	57 × 41 × 84
Work Form:	Re-Cycle on Time
Contact form:	1Z Delay Contact
Contact Capacity:	AC250V 5A
Contact	
Electrical Life:	10 × 10 <sup>4</sup>
Operation	
Temperature:	~5°C~+40°C
Delay Accuracy:	≤0.5%
Working	
Voltage:	AC:50Hz、36V、110V、127V、220V、380V;DC:12V、24V
Delay	0.5~6s/60s、1~10s/10min
Specification:	2.5~30s/30min
Installation:	Device,Din Rail Type



Type:	SJS6
Operating voltage:	DC24V;AC24V、220V、380V
Delay time range:	0.1s-99h99m(hours,secs setting)
Repetitive error:	≤1%
Working model:	on-delay time
Contact type:	SJS6:2Z delay with reset,pause terminal SJS6-1:1Z delay with reset,pause terminal SJS6-2: 2Z delay time change contact
Contact capacity:	3A AC220V(resistence)
Outline dimensions:	48 × 48 × 115mm
Mounting	
dimensions:	45 × 45mm
Mounting style:	panel type,device type. 35MM din rail type



Type:	H3BA-8H
Dimension:	48 × 48 × 94
Work Form:	Power on Delay
Contact Form:	2Z Delay
Contact Capacity:	AC250V 5A
Contact	
Electrical Life:	10 × 10 <sup>4</sup>
Operation	
Temperature:	~5°C~+40°C
Delay Accuracy:	≤0.5%
Working Voltage:	AC:50Hz、36V、110V、127V、220V、380V; DC: 24V
Delay	
Specification:	0.01s~99h
Installation:	Front-Panel



Type:	SJS6R
Operating voltage:	DC24V;AC24V、220V、380V
Delay time range:	0.1s-99h99m(hours,secs setting)
Repetitive error:	≤1%
Working model:	on-delay time
Contact type:	SJS6R:2Z delay with reset,pause terminal SJS6R-1:1Z delay with reset,pause terminal SJS6R-2: 2Z delay time change contact
Contact capacity:	3A AC220V(resistence)
Outline dimensions:	48 × 48 × 105mm
Mounting	
dimensions:	45 × 45mm
Mounting style:	panel type,device type.35MM din rail type



Type:	JSM8 JSM8-H
Operating voltage:	DC24V;AC24V、220V、380V
Delay time	
range:	1s5s 10s 30s 60s 120s 180s 5m 10m 30m 60m
Repetitive error:	≤1%
Working model:	JSM8:on-delay time JSM8-H on-delay time(with pick up contact)
Contact type:	JSM8:2Z delay time change contact JSM8-H:1Z delay time change contact and 1Zpick up contact
Contact capacity:	3A AC220V(resistence)
Outline dimensions:	48 × 48 × 95mm
Mounting	
dimensions:	45 × 45mm
Mounting style:	matching panel style



Type:	SJS6A
Operating voltage:	DC24V;AC24V、220V、380V
Delay time range:	0.1s-99h99m(hours,secs setting)
Repetitive error:	≤1%
Working model:	on-delay:memory function
Calculating time way:	calculate forward/backward, disappears with two rows
Contact type:	SJS6A:2Z delay with reset,pause terminal SJS6A-1:1Z delay with reset,pause terminal SJS6A-2:2Z delay time change contact
Contact capacity:	3A AC220V(resistence)
Outline dimensions:	48 × 48 × 115mm
Mounting	
dimensions:	45 × 45mm
Mounting style:	panel type,device type.35MM din rail type





Type:	SJS16A
Operating voltage:	DC24V;AC24V、220V、380V
Delay time range:	99.9s 999s 999m 99.99s 9999s 99m59s 99h59m
Repetitive error:	≤ 1%
Working model:	on-delay
Calculating time way:	timing forward,Nixie tube disappear
Contact type:	2Z delay and reset ,pause function
Contact capacity:	3A AC220V(resistance)
Outline dimensions:	72 × 72 × 80.5mm
Mounting dimensions:	67.5 × 67.5mm
Mounting style:	matching panel style



Type:	SJS16E
Operating voltage:	DC24V;AC24V、220V、380V
Delay time range:	0.01s-9999h
Delay time range:	0.01s-99999999m
Delay time range:	1-99999999
Time working model:	on-delay time, off-delay Circle-delay with 5 models
Calculating work model:	N.F.C models(three work work models)
Contact type:	2Z delay with reset,pause control terminal
Contact capacity:	3A AC220V(resistance)
Outline dimensions:	72 × 72 × 80.5mm
Mounting dimensions:	67.5 × 67.5mm
Mounting style:	matching panel style



Type:	SJS16B
Operating voltage:	DC24V;AC24V、220V、380V
Delay time range:	0.01s-99990h total 10 times be adjustable
Repetitive error:	≤ 1%
Working model:	on-delay time
Contact type:	2Z delay and reset ,pause function
Contact capacity:	3A AC220V(resistance)
Outline dimensions:	72 × 72 × 80.5mm
Mounting dimensions:	67.5 × 67.5mm
Mounting style:	matching panel style



Type:	SJS16R
Operating voltage:	DC24V;AC24V、220V、380V
Delay time range:	0.1s-990h total seven times be adjustable
Repetitive error:	≤ 1%
Working model:	1、Circle-delay without limit(Normal) 2、Circle work time 1-15 times customer designed
Contact type:	2Z delay and reset ,pause function
Contact capacity:	3A AC220V(resistance)
Outline dimensions:	72 × 72 × 80.5mm
Mounting dimensions:	67.5 × 67.5mm
Mounting style:	matching panel style



Type:	SJS16D
Operating voltage:	DC24V;AC24V、220V、380V
Delay time range:	0.01s-99h99m(hours,secs setting)
Repetitive error:	≤ 1%
Working model:	On-delay,data procedure setting
Calculating time way:	calculate forward/backward, disappears with two rows
Contact type:	2Z delay time change contact and reposition start-up function
Contact capacity:	3A AC220V(resistance)
Outline dimensions:	72 × 72 × 80.5mm
Mounting dimensions:	67.5 × 67.5mm
Mounting style:	matching panel style



Type:	ST6P-2 ST6P-4
Operating voltage:	DC24V;AC24V、220V
Delay time range:	1s 5s 10s 30s 60s 120s 180s 1m 3m 5m 10m 30m 60m 3h 5h
Repetitive error:	≤ 1%
Working model:	on-delay
Contact type:	ST6P-2: 2Z delay time change contact ST6P-4: 4Z delay time change contact
Contact capacity:	ST6P-2: 5A AC220V(resistance) ST6P-4: 3A AC220V(resistance)
Outline dimensions:	28 × 21 × 64mm
Mounting style:	matching outlet style



Type:	AH3-2 AH3-3、ST2P
Operating voltage:	DC24V;AC24V、220V、380V
Delay time range:	1s 5s 10s 30s 60s 120s 180s 5m 10m 30m 60m
Repetitive error:	≤ 1%
Working model:	AH3-2:on-delay time AH3-3、ST2P on-delay time(with pick up contact) ; off-delay
Contact type:	AH3-2: 2Z delay time change contact AH3-3、ST2P:1Z delay time change contact and 1Z pick up contact
Contact capacity:	3A AC220V(resistence)
Outline dimensions:	50.5 × 40.5 × 80mm
Mounting style:	matching outlet style or mounting panel style or guide



Type:	H3CT-8 H3CT-8H
Operating voltage:	DC24V;AC24V、220V、380V
Delay time range:	3s/30s/3m/30m 1m/10m/1h/10h 3m/30m/3h/30h 0.5s/5s/0.5m/5m 1s/10s/1m/10m 0.5m/5m/0.5h/5h
Repetitive error:	≤ 1%
Working model:	H3CT-8:on-delay time H3CT-8H: on-delay time(with pick up contact)
Contact type:	HHS9-1(H3CT-8): 2Z delay time change contact HHS9C-1(H3CT-8H): 1Z delay time change contact and 1Z pick up contact
Contact capacity:	3A AC220V(resistence)
Outline dimensions:	48 × 48 × 95mm
Mounting dimensions:	45 × 45mm
Mounting style:	matching panel style



Type:	AH3-N□□
Operating voltage:	DC24V;AC24V、220V、380V
Delay time range:	NA: 1s /10s/1m/10m NB:3s/30s/3m/30m NC: 6s /60s/6m/60m ND: 1m/10m/1h/10h NE:3m/30m/3h/30h
Repetitive error:	≤ 1%
Working model:	A model:on-delay time Bmodel:on-delay time(with pick up contact)
Contact type:	Amodel: 2Z delay time change contact Bmodel: 1Z delay time change contact and 1Z pick up contact
Contact capacity:	3A AC220V(resistence)
Outline dimensions:	50.5 × 40.5 × 82mm
Mounting style:	matching outlet style or mounting panel style or guide



Type:	CH5N
Operating voltage:	DC24V;AC24V、220V、380V
Delay time range:	3s/30s/3m/30m 1m/10m/1h/10h 3m/30m/3h/30h 0.5s/5s/0.5m/5m 1s/10s/1m/10m 0.5m/5m/0.5h/5h
Repetitive error:	≤ 1%
Working model:	Amodel:on-delay time Bmodel:on-delay time (with pick up contact)
Contact type:	Amodel:2Z delay time change contact Bmodel:1Z delay time change contact and 1Z pick up contact
Contact capacity:	3A AC220V(resistence)
Outline dimensions:	48 × 48 × 95mm
Mounting dimensions:	45 × 45mm
Mounting style:	matching panel style



Type:	H3BA-11
Operating voltage:	DC24V;AC24V、220V、380V
Delay time range:	(0.5、1、5、10) × 1s × 1m × 1h × 10hfour gears can be adjustable
Repetitive error:	≤ 1%
Working model:	A:on-delay B:cycling-delay C:off-delay D:no-power delay
Contact type:	2Z delay time change contact, pause,reposition port
Contact capacity:	3A AC220V(resistence)
Outline dimensions:	48 × 48 × 95mm
Mounting dimensions:	45 × 45mm
Mounting style:	matching panel style



Type:	H3BA-8 H3BA-8H
Operating voltage:	DC24V;AC24V、220V、380V
Delay time range:	(0.5、1、5、10) × 1s × 1m × 1h × 10h four gears can be adjustable
Repetitive error:	≤ 1%
Working model:	H3BA-8:on-delay time H3BA-8H: on-delay time(with pick up contact)
Contact type:	H3BA-8:2Z delay time change contact H3BA-8H:1Z delay time change contact and 1Z pick up contact
Contact capacity:	3A AC220V(resistence)
Outline dimensions:	48 × 48 × 95mm
Mounting dimensions:	45 × 45mm
Mounting style:	matching panel style





Type:	JSZ8-X JSZ8-K
Operating voltage:	DC24V;AC24V、220V
Delay time range:	0.1s- 1s/m 0.5-5s/m 1-10s/m 3-30s/m 6-60s/m
Repetitive error:	≤ 1%
Working model:	JSZ8-X:on-delay(scr output) JSZ8-K:on-delay time
Contact type:	JSZ8-X: 1Z delay time change contact
Contact capacity:	JSZ8-X:3A AC220V(resistance) JSZ8-K:1A AC220V(resistance)
Outline dimensions:	75 × 22.5 × 102mm
Mounting:	35MM din rail and Device type



Type:	JSZ8-Y JSZ8-F
Operating voltage:	DC24V;AC24V、220V
Delay time range:	1s 5s 10s 30s 60s 120s 180s
Repetitive error:	≤ 1%(HHS10F ≤ 5%)
Working model:	JSZ8-Y:Star-delta delay JSZ8-F:on-delay time
Contact type:	JSZ8-Y:1Z star-delta transfer contact JSZ8-F:1Z time-delay contact
Contact capacity:	3A AC220V(resistance)
Outline dimensions:	75 × 22.5 × 102mm
Mounting:	35MM din rail and Device type



Type:	JSZ8-A
Operating voltage:	DC24V;AC24V、220V
Delay time range:	0.1s- 1s/m 0.5-5s/m 1-10s/m 3-30s/m 6-60s/m
Repetitive error:	≤ 1%
Working model:	on-delay
Contact type:	2 group for delay time
Contact capacity:	3A AC220V (resistance)
Outline dimensions:	75 × 22.5 × 102mm
Mounting:	35MM din rail and Device type



Type:	AFR-1
Dimension:	78 × 49 × 92
Work Form:	Water Supply type, Drainage Type
Contact Form:	1 NO and 1NC
Output contact:	1Z Changeover Contact
Detection voltage:	< 10V
Power waste:	< 2
Operation Temperature:	0°C~+40°C
Working Voltage:	AC:35V、220V、380
Contact Capacity:	AC250V 5A
Installation:	Device with din rail or screw type



Type:	C61F-GP
Work Form:	Water Supply type, Drain Type
Contact Form:	1 NO and 1NC
Contact Capacity:	5A 250VAC
dimensions:	57.5 × 40 × 50mm
Operation Temperature:	~5°C~+40°C
Delay Accuracy:	
Working Voltage:	AC136-380V 50/60Hz
Delay Specification:	
Installation:	Device, Din Rail Type



Type:	HHY11PG-A
Operating voltage:	AC/DC 100~240V
Working mode:	water supply-uplimited alarming water drain-lowerlimited alarming water drain-overlevel dual drain water supply-ultra low latching type
Water control distance:	≤200meter
Contact type:	2NO
Contact capacity:	3A AC220V(resistance)
Outline dimensions:	81 × 18 × 72mm
Mounting style:	device type and 35mm rail mounting type



Type:	HHY11PG
Operating voltage:	AC/DC 100-240V
Working mode:	supply、water drain
Water control distance:	≤500meter
Contact type:	1 NO and 1NC
Contact capacity:	3A AC220V(resistance)
Outline dimensions:	81 × 18 × 72mm
Mounting style:	matching outlet style or 35mmrail mounting type



Type:	AFR-1 AFR-1
Operating voltage:	AC24V、220V、380V
Working mode:	AFR-1water drain AFR-1water supply
Water control distance:	≤100meter
Contact type:	1NO and 1NC
Contact capacity:	3A AC220V(resistance)
Outline dimensions:	78 × 50 × 81mm
Mounting:	device type and 35mm rail mounting



Type:	HHY2G、HHY2P
Operating voltage:	DC24V、220V、380V
Working mode:	HHY1P(JYB-2) water drain HHY1G(JYB-3) water supply
Water control distance:	≤100 meter
Contact type:	1NO and 1NC
Contact capacity:	3A AC220V(resistance)
Outline dimensions:	62 × 40 × 92mm
Mounting style:	35mm rail mounting type and device type



Type:	JYB-3 JYB-2
Operating voltage:	AC24V、220V、380V
Working mode:	JYB-3 water supply JYB-2 water drain
Water control distance:	≤100meter
Contact type:	1 NO and 1NC
Contact capacity:	3A AC220V(resistence)
Outline dimensions:	62 × 40 × 92mm
Mounting style:	device type and 35mm rail mounting type



Type:	JYB-714 water supply JYB-714 water drain
Operating voltage:	AC24V、220V、380V
Working mode:	JYB-714 water supply JYB-714 water drain
Water control distance:	≤100meter
Contact type:	1 NO and 1NC
Contact capacity:	3A AC220V(resistence)
Outline dimensions:	62 × 40 × 92mm
Mounting style:	device type and 35mm rail mounting type



Working mode:	float contact
Contact number:	1NO
Contact capacity:	10A AC220V
Wire length:	1m,2m,3m,4m,10m,others can be customized
Outline dimensions:	C98mm
Mounting style:	fixed by breaking ball



Working mode:	float contact
Contact number:	1NO
Contact capacity:	10A AC220V
Wire length:	1m,2m,3m,4m,10m,others can be customized
Outline dimensions:	80 × 160 × 45mm
Mounting style:	fixed by breaking ball
Carton size:	447 × 422 × 335
Carton number:	20
Net weight:	19.5kg
Gross weight:	21kg





Type:	HHJ1
Operating voltage:	DC24V;AC24V、220V、380V
Working model:	additive count, 4 digit LED display
Count Speed:	100Times/second
Count scope:	(1-9999) × 1、× 10、× 100multiple
Input signal:	Contact Signal、PNP Normally open type photoelectric / proximity switch
Output mode:	N or C mode
No-power memory:	10 years
Outline dimensions:	48 × 48 × 115(90)mm
Mounting dimensions:	45 × 45mm
Mounting:	matching panel style



Type:	DH48J
Dimension:	123 × 48 × 48
Count Speed:	30 times/second
Contact Form:	1 NO and 1 NC
Contact Capacity:	AC250V 5A
Contact Electrical Life:	10 × 104
Operation Temperature:	~5°C~+40°C
Delay Accuracy:	
Delay Specification:	1~9999 10~99990 100~999900
Count mode:	Positive Count
Installation:	Front-Panel Type



Type:	JDM9-4
Operating voltage:	DC24V;AC24V、220V、380V
Delay time range:	addition cout,four-bit LED display
Count speed:	30times/second
Count scope:	1-9999
Input signal:	contact signal PNP normally open Photoelectric sensor/Proximity sensor
Output mode:	N or C mode
No-power memory:	10 years
Contact number:	1No and 1NC
Contact capacity:	5A AC220V(resistence)
Outline dimensions:	72 × 72 × 81mm
Mounting dimensions:	68 × 68mm
Mounting:	matching panel style



Type:	HHJ1(with socket)
Operating voltage:	DC24V、AC24V、220V、380V
Working modl:	addition count, four-bit LED display
Count speed:	100times/second
Cout scope:	( 1-9999 ) × 1、10、100 multiple
Input signal:	contact signal
Output mode:	N mode、C mode
No-power memory:	10 years
Outline dimensions:	48 × 48 × 115(90)mm
Mounting dimensions:	45 × 45mm
Mounting style:	matching panel style



Type:	HHJ2-8、HHJ2-8V
Operating voltage:	Power: inner with lithium battery
Working model:	additive count, 8-bit LED display
Count Speed:	high frequency 1000 times/second low frequency 30 times/second
Count scope:	1-99999999
Input signal:	HHJ2-8:contact-signal HHJ2-8V:level signalDC4-30V)
No-power memory:	5 years
Outline dimensions:	24 × 48 × 54mm
Mounting dimensions:	22 × 45mm
Mounting:	matching panel style



old model

Type:	JDM9-4
Contact capacity:	AC220V 5A
Operation voltage:	50Hz 220V/380V,DC24V
electrical life:	≥ 10 × 104 times
Mechanical life:	≥ 100 × 104 times
contact capacity:	AC220V 3A; DC220V 0.5A COS φ = 1
use the Class:	AC-15 DC-13
maximum counting speed:	30 times / sec
the minimum pulse width count:	15ms
counting signal input:	mechanical switch, (PV) transistor, the voltage signal
counting error:	± 1 second count
counting range:	1-9999 times
power consumption:	≤ 2W



Type:	DH48J(Improved type)
Work power:	DC24V;AC24V、220V、380
Working model:	addition count, four-bit LED display
Count speed:	30times/second
Count scope:	1-9999) x 1、x 10、x 100 multiple
Input signal:	contact signal
Output mode:	N or C mode
No-power memory:	NO(optional memory function order )
Outline dimensions:	48 x 48 x 115mm
Mounting dimensions:	45 x 45mm
Mounting:	matching panel style



Type:	HHJ3、JDM11-6H
Operating voltage:	DC24V、AC24V、220V
Working model:	additive count, 6-bit LED display
Count Speed:	high frequency 1000 times/second low frequency 30 times/second
Count scope:	1-99999999
Function:	HHJ3 is completely sam as JDM11-6H, only model named different
Input signal:	contact-signal ( No-voltage type) level signal ( Voltage DC4-30V )
No-power memory:	5 years
Outline dimensions:	40 x 56 x 88mm
Mounting dimensions:	26 x 51mm
Mounting:	matching panel style



Type:	HM-1
Supply voltage:	AC110V, 220V/50Hz
	AC 24-450V
Dimension:	48 x 48 x 40(mm)
Timing range:	0~99,999.99 Hours
Net weight:	50g
Mounting:	Plug-in



Type:	YKW
Supply voltage:	DC 12V, 24V, AC110V, 220V
Dimension:	24 x 48 x 50(mm)
Timing range:	999999.9H, 99H59M59S, 9999H59M, 9999 Day 23H, 9999H59M59S, 999999H59M
Voltage:	No need out put
Counting digit:	5 digits
Tolerance:	-15% - +10%(Rated voltage)
Battery life:	6 Years
Panel size:	22.5 x 45(mm)



Type:	HDD3H
Working power:	AC220V, AC380V 50HZ
Current range:	-1:0.2~1A -2:0.4~2A -A:2~20A -B:8~40A -T:20~100A -H1:40~200A -H2:80~400A -H3:160~800A
Protection function:	Phase failure, Overload, three phase unbalance, locked-rotor, start avoid
Setting mode:	potentiometer quantitative calibration
Display way:	Luminous tubes indicate working status and memory fault status
Tripping levels:	2,5,10,15,20,25,30,35,40 Continuously adjustable, adapt to the demand from under-loading to heavy load start all kinds of motor need
Contact type:	1 NO and 1 NC
Contact capacity:	3A AC380V(resistance)
Dimension:	125X71X120 mm
Mounting way:	Device type and din rail
Matched ZCT:	H1,H2,H3, reprovision 200:5,400:5,800:5 Standard mutual inductor
Optional functions:	land ( need to match special zero sequence mutual inductor)



Type:	CDD7B-C
Working power:	AC220V, AC380V 50Hz
Current range:	-A:2~10A -B:8~40A -C:20~100A -D:40~200A -E:80~400A -F:160~800A
Protect function:	loss of phase,three-phase imbalance, overload, locked-rotor, short circuit, start avoid, Over-voltage, under-voltage, grounded(Need to match special zero sequence current transformer)
Display way:	LED digital tube three-phase circulating display and memory failure state
Reset way:	Panel reset or power reset
Contact form:	
Contact rating:	3A AC380V(resistance)
Hole size:	93 x 45.5mm
Mounting way:	panel way
Matched transformer:	CDD7B-D、E、F need to other mutual transformer
Optional function:	RS-485 communication interface, 4-20mA Transmitting Output



Type:	CDD7C-C
Working power:	AC220V、AC380V 50Hz
Current range:	-A:2~10A -B:8~40A -C:20~100A -D:40~200A -E:80~400A -F:160~800A
Protect function:	loss of phase,three-phase imbalance, overload, locked-rotor, short circuit, start avoid, Over-voltage, under-voltage, grounded(Need to match special zero sequence current transformer)
Display way:	Chinese/English Chinese characters, LCD display and memory failure state
Reset way:	Panel reset or power reset
Contact form:	
Contact rating:	3A AC380V(resistance)
Hole size:	93 x 45.5mm
Mounting way:	panel way
Matched transformer:	CDD7C-D、E、F need to other mutual inductor
Optional function:	RS-485 communication interface, 4-20mA Transmitting Output



Type:	CDD7D-C
Working power:	AC220V, AC380V 50Hz
Current range:	-A:2~10A -B:8~40A -C:20~100A -D:40~200A -E:80~400A -F:160~800A
Protect function:	loss of phase,three-phase imbalance, overload, locked-rotor, short circuit, start avoid, Over-voltage, under-voltage, grounded(Need to match special zero sequence current transformer)
Display way:	LED digital tube three-phase circulating display and memory failure state
regulated type:	Dial the code static setting
torque level:	10 line the curve can be selected
Reset way:	Panel reset or power reset
Contact form:	1 NO and 1 NC
Contact rating:	3A AC380V(resistance)
Hole size:	93 x 45.5mm
Mounting way:	panel way
Matched transformer:	CDD7D-D、E、F need to other mutual transformer





Type:	CDD3
Working power:	AC220V, AC380V 50HZ
Current range:	-T:20~100A -H1:40~200A -H2:80~400A -H3:160~800A -A:1~5A -B:4~20A -C:10~50A
Protection function:	Phase failure, Overload, three phase unbalance, locked-rotor
Setting mode:	potentiometer quantitative calibration
Display way:	Luminous tubes indicate working status and memory fault status
Reset the way:	Panel reset or power reset
Contact type:	1 NC
Contact capacity:	3A AC380V(resistance)
Dimension:	85X47.5X73.5 mm
Mounting:	Device type
Matched ZCT:	T,H1,H2,H3, reprovision 100:5, 200:5,400:5,800:5 Standard mutual inductor



Type:	CDD1
Working power:	AC220V, AC380V 50HZ
Current range:	-1:2~20a -2.8~40A
Protection function:	Phase failure, Overload, three phase unbalance, etc.
Setting mode:	locator quantize static state setting
Display way:	Luminous tube indicating work situation
Contact type:	1 NC
Contact capacity:	3A AC380V(resistance)
Dimension:	CDD1-1: 50X81X88.5mm CDD1-2: 56.5X87X102.5mm
Mounting:	CDD1-1: Plug mounting to CJX2-09,-1212,-18series CDD1-2: Plug mounting to CJX2-25,-32 series



Type:	HHD2-A~F
Current range:	-A:1~2.5A -B:2~5A -C:4~10A -D:8~20A -E:16~40A -F:32~80A
Protection function:	Phase failure, Overload
Setting mode:	potentiometer quantitative calibration
Display way:	Luminous tube indicating work situation
Contact type:	Solid state switch(1 NC)
Contact capacity:	1A AC380V(resistance)
Voltage of control loop:	AC220V with AC380V be in common use
Dimension:	76X43 X74 mm
Mounting way:	Device type
Optional functions:	HHD2-A~F Guide attachment



Type:	HHD2-G/F
Current range:	-A:1~2.5A -B:2~5A -C:4~10A -D:8~20A -E:16~40A -F:32~80A
Protect function:	loss of phase, overload
Regulated type:	Quantitative setting potentiometer
Display way:	luminescent tube indicate work state
Contact form:	Solid state relay (1 NC)
Contact rating:	1A AC380V(resistance)
control circuit work voltage:	AC220V and AC380V general
outline dimension:	53 × 64 × 103.5mm
Mounting way:	device type and 35mm din rail compatible



Type:	KP101
Working power:	AC220V
Current range:	-1:2~20a -2.8~40A
Current specification:	inner sensor:1A,6.3A,25A, 63A,100A standard transformer:200A, 400A
Protection Function:	Locker-rotor, Short circuit, Leakage, Start overtime, under-load/Overload, Unbalance,under/Overvoltage, Star delta starting,etc.
Control circuit voltage:	380V/66VAC 10~55HZ
Current Rating:	5A/380VAC
Dimension:	115x95x110mm
Mounting:	35mm din rail, Screw mounting



Type:	KPA-Y
Working power:	AC220V/AC38V
Contact No.:	1NO and 1NC
Protection Function:	Circuit protection, Alarming, start-stop control, Pre-alarming, Star delta starting, Ground-connection, leakage
Control circuit voltage:	380V/66VAC 10~55HZ
Optional function:	Rs485 or 4~20mA analog output
Dimension:	
Mounting:	Screw mounting



Type:	JTC-902
Input Signal:	K,J
Precision:	1.5 class
Control way:	ON/OFF or PID
Output:	relay, solid state relay
Power Supply:	AC110V 220V 50/60Hz
Indication mode:	no indication
Adjusting mode:	time proportional adjuster
Outline dimension:	96 × 96mm



Type:	JTC-903
Input Signal:	K,J
Precision:	1.5 class
Control way:	ON/OFF or PID
Output:	relay, solid state relay
Power Supply:	AC110V 220V 50/60Hz
Indication mode:	warp indication
Adjusting mode:	time proportional adjuster
Outline dimension:	96 × 96mm



Type:	SG-724
Input signal:	(K,J)PT100
Temp range:	0-99.9°C,0-199°C,0-299°C, 0-399°C,0-999°C
Setting precision:	less than ± 1% full scale or range display; less than 0.5% range display
Indication precision:	less than ± 2°C
Contact action:	On/Off type,proportion type(PID)
Output mode:	relay connection point AC250V 5A,voltage of non action point DC12V for SSR
Rated voltage:	AC:110/220/380V ± 10%.50/60HZ
Proportion cycle:	relay:15secs,NON connection point:2secs
Power consumption:	3W
Accessory function:	sense of temperature sensing line breaking
Ambient temperature:	-10°C-+55°C
Dimension:	72 × 72mm



Type:	SG-671
Input signal:	(K,J)PT100
Temp range:	0-99.9°C,0-199°C,0-299°C, 0-399°C,0-999°C
Setting precision:	less than ± 1% full scale or range display;less than 0.5% range display
Indication precision:	less than ± 2°C
Contact action:	On/Off type,proportion type(PID)
Output mode:	relay connection point AC250V 5A,voltage of non action point DC12V for SSR
Rated voltage:	AC:110/220/380V ± 10%.50/60HZ
Proportion cycle:	relay:15secs,NON connection point:2secs
Power consumption:	3W
Accessory function:	sense of temperature sensing line breaking
Ambient temperature:	-10°C-+55°C
Dimension:	96 × 96mm



Type:	KP-96BM
Input signal:	CA(K,J)PT100
Temp range:	0-99.9°C,0-199°C,0-299°C, 0-399°C,0-999°C
Setting precision:	less than ± 1% full scale or range display; less than 0.5% range display
Indication precision:	less than ± 2°C
Contact action:	On/Off type,proportion type(PID)
Output mode:	relay connection point AC250V 5A,voltage of non action point DC12V for SSR
Rated voltage:	AC:110/220/380V ± 10%.50/60HZ
Proportion cycle:	relay:15secs,NON connection point:2secs
Power consumption:	3W
Accessory function:	sense of temperature sensing line breaking
Ambient temperature:	-10°C-+55°C
Dimension:	96 × 96mm



Type:	E5C2
Input signal:	K、E、J、Pt100、Cu50
Accuracy:	± (1%F.S ± 1 word)
Control way:	PID
Control output:	relay
Work power:	AC220V ± 10%(50/60Hz)
temperature setting mode:	Knob set,no indication
Outline dimension:	48 × 48 × 100mm
Install dimension:	45 × 45mm
Carton size:	415 × 300 × 387
Carton number:	60
Net weight:	15kg
Gross weight:	16kg



Type:	E5EM
Input signal:	K、J
Accuracy:	± 1.5%F.S
Control way:	PID
Control output:	relay
Work power:	AC220V ± 10%(50/60Hz)
Outline dimension:	48 × 96 × 100mm
Install dimension:	45 × 92mm
Carton size:	415 × 300 × 387
QTY/CTN:	42
Net weight:	16kg
Gross weight:	17kg



Type:	XMTD
Input signal:	thermocouple:E、K、J thermal resistance:Cu50、Pt100
Accuracy:	± (1%F.S ± 1 word)
Control way:	ON/OFF or PID
Control output:	relay
Alarm function:	alarm function
Work power:	AC220V ± 10%(50/60Hz)
Outline dimension:	72 × 72mm
Install dimension:	67 × 67mm
Carton size:	415 × 300 × 387
QTY/CTN:	32
Net weight:	15kg
Gross weight:	16kg



Type:	E5EN
Input signal:	K、J
Accuracy:	± 1.0%F.S
Control way:	PID
Control output:	relay
Work power:	AC220V ± 10%(50/60Hz)
Outline dimension:	48 × 96 × 100mm
Install dimension:	45 × 92mm
Carton size:	415 × 300 × 387
QTY/CTN:	42
Net weight:	16kg
Gross weight:	17kg



Type:	HB701
Input signal:	thermocouple:K、E、J resistance:Pt100、Cu50
Control way:	two-level relay on-off control PID adjust relay on-off control PID adjust and driver SSR voltage control
Alarm Way:	1Z alarm relay contact output 2Z alarm relay contact output
Work power:	AC100~240V
Outline dimension:	72 × 72 × 64mm
Install dimension:	68 × 68mm
Mounting style:	matching panel style
Special application:	used to Plastic Extruders,reflow soldering,shoe machine etc



Type:	E5C4
Input signa:	K、E、J、Pt100、Cu50
Accuracy:	± (1%F.S ± 1 word)
Control way:	PID
Control output:	relay
Work power:	AC220V ± 10%(50/60Hz)
temperature setting mode:	Code dialing set, No indication
Outline dimension:	48 × 48 × 100mm
Install dimension:	45 × 45mm
Carton size:	415 × 300 × 387
QTY/CTN:	60
Net weight:	15kg
Gross weight:	16kg



Type:	HB901
Input signal:	thermocouple:K、E、J resistance:Pt100、Cu50
Control way:	two-level relay on-off control PID adjust relay on-off control PID adjust and driver SSR voltage control
Alarm Way:	1Z alarm relay contact output 2Z alarm relay contact output
Work power:	AC100-240V
Outline dimension:	96 × 96 × 66mm
Install dimension:	92 × 92mm
Mounting style:	matching panel style
Special application:	used to Plastic Extruders,reflow soldering,shoe machine etc





Type:	HB101
Input signal:	thermocouple:K、 E、 J resistance:Pt100、 Cu50
Control way:	two-level relay on-off control PID adjust relay on-off control PID adjust and driver SSR voltage control
Alarm Way:	1Z alarm relay contact output 2Z alarm relay contact output
Work power:	AC100~240V
Outline dimension:	48 × 48 × 74mm
Install dimension:	45 × 45mm
Mounting style:	matching panel style
Special application:	used to Plastic Extruders,reflow soldering,shoe machine etc



Type:	XMTG-7000
Input signal:	thermocouple:K、 E、 J resistance:Pt100、 Cu50
Control way:	two-level relay on-off control PID adjust relay on-off control PID adjust and driver SSR voltage control
Alarm Way:	1Z alarm relay contact output 2Z alarm relay contact output
Work power:	AC220V ± 10%(50/60Hz)
Outline dimension:	48 × 48 × 107mm
Install dimension:	45 × 45mm
Mounting style:	matching panel style
Special application:	used to roaster,drying baker, over-temperature protect etc heating device



Type:	HB401
Input signal:	thermocouple:K、 E、 J resistance:Pt100、 Cu50
Control way:	two-level relay on-off control PID adjust relay on-off control PID adjust and driver SSR voltage control
Alarm Way:	1Z alarm relay contact output 2Z alarm relay contact output
Work power:	AC100~240V
Outline dimension:	48 × 96 × 66mm
Install dimension:	45 × 92mm
Mounting style:	matching panel style
Special application:	used to Plastic Extruders,reflow soldering,shoe machine etc



Type:	XMTA-7000
Input signal:	thermocouple:K、 E、 J resistance:Pt100、 Cu50
Control way:	two-level relay on-off control PID adjust relay on-off control PID adjust and driver SSR voltage control
Alarm Way:	1Z alarm relay contact output 2Z alarm relay contact output
Work power:	AC220V ± 10%(50/60Hz)
Outline dimension:	96 × 96 × 112mm
Install dimension:	92 × 92mm
Mounting style:	matching panel style
Special application:	used to roaster,drying baker, over-temperature protect etc heating device



Type:	XMTD-7000
Input signal:	thermocouple:K、 E、 J resistance:Pt100、 Cu50
Control way:	two-level relay on-off control PID adjust relay on-off control PID adjust and driver SSR voltage control
Alarm Way:	1Z alarm relay contact output 2Z alarm relay contact output
Work power:	AC220V ± 10%(50/60Hz)
Outline dimension:	72 × 72 × 112mm
Install dimension:	68 × 68mm
Mounting style:	matching panel style
Special application:	used to roaster,drying baker, over-temperature protect etc heating device



Type:	XMTE-7000
Input signal:	thermocouple:K、 E、 J resistance:Pt100、 Cu50
Control way:	two-level relay on-off control PID adjust relay on-off control PID adjust and driver SSR voltage control
Alarm Way:	1Z alarm relay contact output 2Z alarm relay contact output
Work power:	AC220V ± 10%(50/60Hz)
Outline dimension:	48 × 96 × 112mm
Install dimension:	45 × 92mm
Mounting style:	matching panel style
Special application:	used to roaster,drying baker, over-temperature protect etc heating device



Type:	CD901
Input signal:	thermocouple:K、E、S、B、 J、T、R、N thermal resistance:Pt100 Cu100 Cu50 Ba2 Ba1 G,Pt100 mini measure
Accuracy:	± (0.5%F.S ± 1 word)
Control way:	fuzzy PID control,ON/OFF, manual control
Control output:	relay contact point:AC250V 3A
Logical voltage:	DC 0/5V
Start pulse over zero:	optical couple control silicon output
Alarm type:	upper limit alarm,lower limit alarm
Transmitter output:	0-10mA、4-20mA、 0-5V、1-5V
Power output:	DC24V(used in double line transmitter)
Work power:	AC85~264V
Outline dimension:	96 × 96 × 100mm
Install dimension:	92 × 92mm
Carton size:	415 × 300 × 387
QTY/CTN:	20
Net weight:	7.5kg
Gross weight:	8.5kg



Type:	CD101
Input signal:	thermocouple:K、E、S、B、 J、T、R、N thermal resistance:Pt100 Cu100 Cu50 Ba2 Ba1 G,Pt100 mini measure
Accuracy:	± (0.5%F.S ± 1 word)
Control way:	fuzzy PID control,ON/OFF, manual control
Control output:	relay contact point:AC250V 3A
Logical voltage:	DC 0/5V
Start pulse over zero:	optical couple control silicon output
Alarm type:	upper limit alarm,lower limit alarm
Transmitter output:	0-10mA、4-20mA、 0-5V、1-5V
Power output:	DC24V(used in double line transmitter)
Work power:	AC85~264V
Outline dimension:	48 × 48 × 100mm
Install dimension:	45 × 45mm
Carton size:	415 × 300 × 387
QTY/CTN:	60
Net weight:	11kg
Gross weight:	12kg



Type:	CD401
Input signal:	thermocouple:K、E、S、B、 J、T、R、N thermal resistance:Pt100 Cu100 Cu50 Ba2 Ba1 G,Pt100 mini measure
Accuracy:	± (0.5%F.S ± 1 word)
Control way:	fuzzy PID control,ON/OFF ,manual control
Control output:	relay contact point:AC250V 3A
Logical voltage:	DC 0/5V
Start pulse over zero:	optical couple control silicon output
Alarm type:	upper limit alarm,lower limit alarm
Transmitter output:	0-10mA、4-20mA、 0-5V、1-5V
Power output:	DC24V(used in double line transmitter)
Work power:	AC85~264V
Outline dimension:	48 × 96 × 100mm
Install dimension:	45 × 45mm
Carton size:	415 × 300 × 387
QTY/CTN:	60
Net weight:	11kg
Gross weight:	12kg



Type:	CD701
Input signal:	thermocouple:K、E、S、B、 J、T、R、N thermal resistance:Pt100 Cu100 Cu50 Ba2 Ba1 G,Pt100 mini measure
Accuracy:	± (0.5%F.S ± 1 word)
Control way:	fuzzy PID control,ON/OFF, manual control
Control output:	relay contact point:AC250V 3A
Logical voltage:	DC 0/5V
Start pulse over zero:	optical couple control silicon output
Alarm type:	upper limit alarm,lower limit alarm
Transmitter output:	0-10mA、4-20mA、 0-5V、1-5V
Power output:	DC24V(used in double line transmitter)
Work power:	AC85~264V
Outline dimension:	72 × 72 × 100mm
Install dimension:	45 × 45mm
Carton size:	415 × 300 × 387
QTY/CTN:	60
Net weight:	11kg
Gross weight:	12kg



Type:	CMT3-5000
Input signal:	Thermocouple:K、E Thermal resistance:Pt100、Cu50
Measure error:	≤ 1.0 Class
accommodation mode:	2position relay on-off control; Interrupted PID relay on-off control; Interrupted PID drive SSR voltage control;
Alarming mode:	Limit deviation Alarming ( Default factory setting )
Work power:	AC220、AC380V
Outline dimension:	48 × 96 × 85mm
Install dimension:	45 × 92mm
Mounting style:	matching panel style
Typical application:	For drying baker、oven、extruding machine、shoe machine、packaging plant



Type:	CMT1-5000
Input signal:	Input signal:thermocouple:K、E Thermal resistance:Pt100、Cu50
Measure error:	≤ 1.0 Class
accommodation mode:	2position relay on-off control; Interrupted PID relay on-off control; Interrupted PID drive SSR voltage control;
Alarming mode:	Limit deviation Alarming ( Default factory setting )
Work power:	AC220、AC380V
Outline dimension:	48 × 48 × 85mm
Install dimension:	45 × 45mm
Mounting style:	matching panel style
Typical application:	for drying baker、oven、extruding machine、shoe machine、packaging plant



Type:	CMT4-5000
Input signal:	Thermocouple:K、E Thermal resistance:Pt100、Cu50
Measure error:	≤ 1.0 Class
accommodation mode:	2position relay on-off control; Interrupted PID relay on-off control; Interrupted PID drive SSR voltage control;
Alarming mode:	Limit deviation Alarming ( Default factory setting )
Work power:	AC220、AC380V
Outline dimension:	96 × 96 × 87mm
Install dimension:	92 × 92mm
Mounting style:	matching panel style
Typical application:	for drying baker、oven、extruding machine、shoe machine、packaging plant

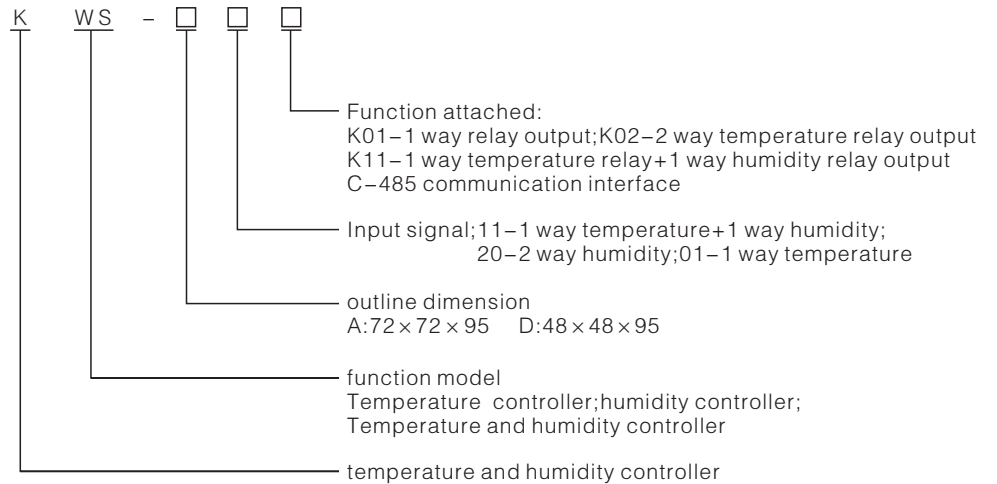


Type:	CMT2-5000
Input signal:	Thermocouple:K、E Thermal resistance:Pt100、Cu50
Measure error:	≤ 1.0 Class
accommodation mode:	2position relay on-off control; Interrupted PID relay on-off control; Interrupted PID drive SSR voltage control;
Alarming mode:	Limit deviation Alarming ( Default factory setting )
Work power:	AC220、AC380V
Outline dimension:	72 × 72 × 87mm
Install dimension:	68 × 68mm
Mounting style:	matching panel style
Typical application:	for drying baker、oven、extruding machine、shoe machine、packaging plant



## Temperature and humidity controller

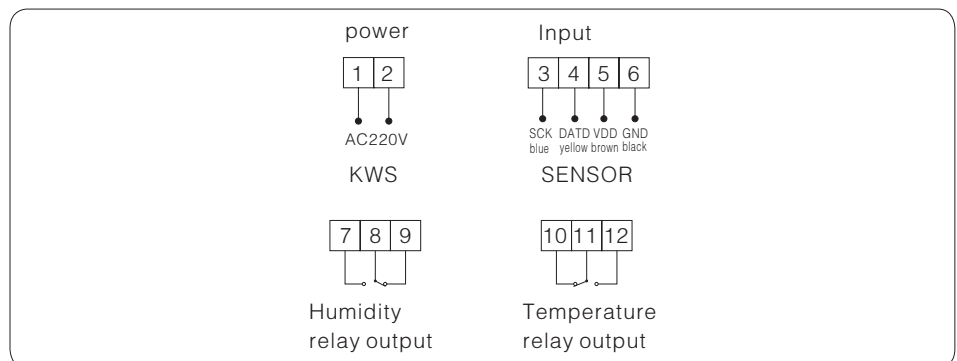
### name method



### Parameter

Main project	Specification
Precision	Humidity $\leq \pm 4.5\%FS$ Temperature $\leq \pm 0.5\%FS$
Disappear	LED disappear
Test range	Humidity -40.0-+120.0°C
	Humidity 0.1-99.9%
	Definition humidity 0.1C,humidity 0.1RH%
Control parameter Setting range	humidity -40°C-+120°C
	humidity 0.1-99.9%
Control range of return difference	full range settable
Capacity of output contact	AC250V 5A(resistance overload)
Control model	Relay work model selectable
Insulation resistance	$\geq 100M\Omega$
Compression strength	2KV/1min,50HZ between input/output/power
Power supply	voltage AC220V $\pm 10\%$ 50Hz
	Power consumption $\leq 3VA$
temperature	-10C to 55C.relative humidity $\leq 93\%$ , without corrosion gas place,altitude $\leq 2500m$

### Wire diagram

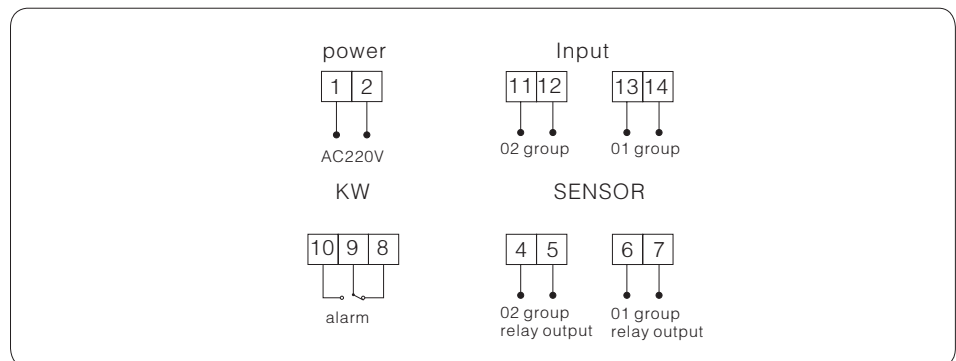




### KW-A02 Temperature Controller (dual output)

Main project	Specification
Precision	Temperature $\leq \pm 0.5\%FS$
Disappear	LED
Temperature Range	-40.0~+120.0°C
Control Circuit	0.1~99.9%
Definition	Temperature 0.1C
Control range of return difference	full range settable
Capacity of output contact	AC250V 5A(resistance overload)
Control model	Relay work model selectable
Insulation resistance	$\geq 100M\Omega$
Compression strength	2KV/1min,50HZ between input/output/power
Power supply	voltage
	Power consumption
Working condition	-10C to 55C.relative humidity $\leq 93\%$ , without corrosion gas place,altitude $\leq 2500m$

### Wire diagram





Type:	DP3-72VAHz
Working Power:	220V ± 10% 50/60Hz
Accuracy:	1% full-range ± 1Digit
Display:	5" red LED
Sampling speed:	approximate 2.5times/sec
Exceeding range:	display (+) or (-) in the leftmost number
Outline dimension:	DP3-96 96 × 96 × 85mm DP3-72 72 × 72 × 70mm
Snatch dimension:	DP3-96 92 × 92mm DP3-72 67 × 67mm



Type:	DP3-96V
Auxiliary Supply(Un):	220VAC ± 10%
Operating Range:	(0.9-1.1) × Un
Operating Frequency:	50/60Hz
Measuring Range:	0-600V~
Measurement Category:	CAT III
Class:	1% ± 1 digit [(10%-100%) × full scale]
Ambient Temperature:	-5°C; +50°C
Display:	Red LED Display



Type:	DP3-73V
Auxiliary Supply(Un):	220VAC ± 10%
Operating Range:	(0.9-1.1) × Un
Operating Frequency:	50/60Hz
Measuring Range:	0-600V~
Measurement Category:	CAT III
Class:	1% ± 1 digit [(10%-100%) × full scale]
Ambient Temperature:	-5°C; +50°C
Display:	Red LED Display



Type:	DP3-96A
Auxiliary Supply(Un):	220VAC ± 10%
Operating Range:	(0.9-1.1) × Un
Operating Frequency:	50/60Hz
Measuring Range:	0-5A~
Measurement Category:	CAT III
Class:	1% ± 1 digit [(10%-100%) × full scale]
Ambient Temperature:	-5°C; +50°C
Display:	Red LED Display





Product Name: 96 model Electromagnetic System (move Iron Type) exchange Ammeter

Product Categories: >Pointer Type Board Table>96 Series

Type:TF-96AC A

Precision Grades: 1.5(60A more direct precision grades for 2.5)

Specifications CAC:0.5A 1A 1.5A 3A 5A 7.5A 10A 15A 20A 25A 30A 40A 50A 60A 80A 100A, Than  
100A External Subprime 5A or 1A of current transformer



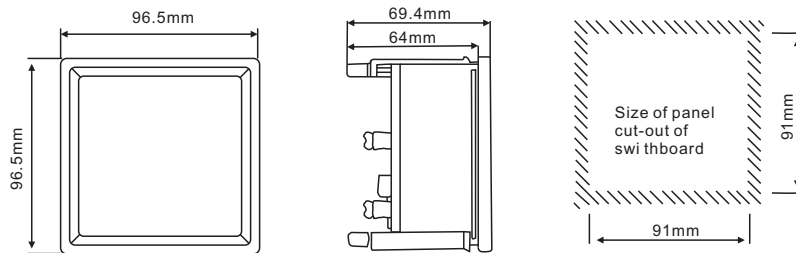
Product Name: 96model Electromagnetic System(move Iron Type) ac Voltmeter

Product Categories: >Pointer Type Board Table>96 Series

Type:TF-96 AC V

Precision Grades:1.5

Specifications DAC: 0.5A 1A 1.5A 3A 5A 7.5A 10A 15A 20A 25A 30A 40A 50A 60A 80A 100A, Than  
100A External Subprime 5A or 1A of Voltage Transformer



Product Name: 96 model Pointer Type Frequency Meter

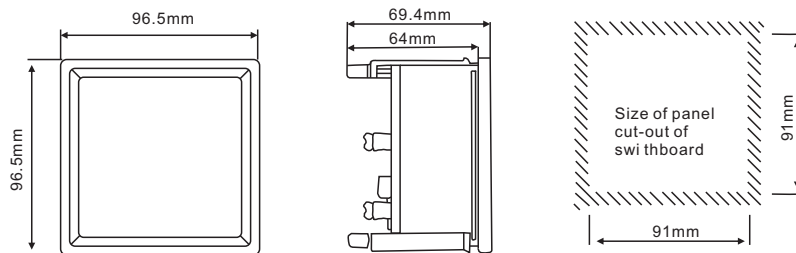
Product Categories: >Pointer Type Board Table>96/72 Series

Type:TF-96 Hz 72Hz

Precision Grades:Level 1 or 2.5 level

Voltage:110V, 220V, 380V, 415V, 440V

Frequency:45-55Hz, 45-65Hz, 55-65Hz, 47-53Hz, 57-63Hz,  
450-550Hz, 450-650Hz, 550-650Hz



## Specifications

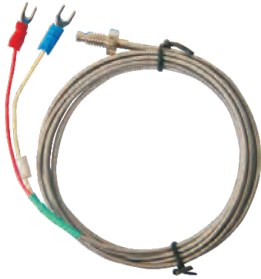
Temperature sensors K E T type

- 1)ISO9001 CE certified
- 2)Various types

Thermocouple ( thermostat , temperature controller, J thermocouple )  
 Thermocouple, thermostat, KBSE thermocouple, thermocouple wire and sleeve.  
 We can supply the thermocouple of WR, WROK series and so on.



Spring Type



Screw Type



Probe Type

## Main parameters

Item	Temperature range	Deviation temperature
WRP-B	0-1800	+ -1.5
WRP-S	0-1600	+ -1.5
WRP-K	0-1300	+ -2.5
WRP-E	0-800	+ -2.5

## Specification

This series of thermocouple will work with other temperature sets, including temperature transmitter, adjuster and the display instrument for the industrial use.

It can measure and control the surface temperature of the solid, gas and flow material from 0-1800 directly in the process of manufacturing.

The thermocouple is composed of the two different conductors, and the two ends of them can form the loop. The thermo current will be formed when the temperature differs from each other between the two connections. Simultaneously, the display instrument will show the temperature as to the thermo current accordingly.

The basic composing stucture will be the same across so many different thermocouples,including the thermode, insulation sleeve, junction box and so on.

The shape of various thermocouples will differ from each other by the customer needs and application.

## Features

1. Convenient to fit and change
2. High charactre of vibration
3. The temperature range of measuring and controlling will be wiede
4. Mechanical and capable of enduring high pressure



W Z P 2 - 2 3 1 2 Model Example

- Measuring End  
2 Variable Cross Section
- Protection Tube Diameter  
0 Φ 16  
1 Φ 12
- Junction Box  
2 Anti-spray Type  
3 Water-proof Type
- Mounting & Fixing  
1 Without Fixing Device  
2 Threaded Connector  
3 Movable Flange  
4 Fixed Flange  
6 Fixed Threaded Cone Connector
- Filament blank Simplex  
2 Duplex
- Thermal Element Material  
Pt  
Cu
- Z Thermal Resistance
- W Temperature Instrument



W R N 2 - 2 3 0 Model Example

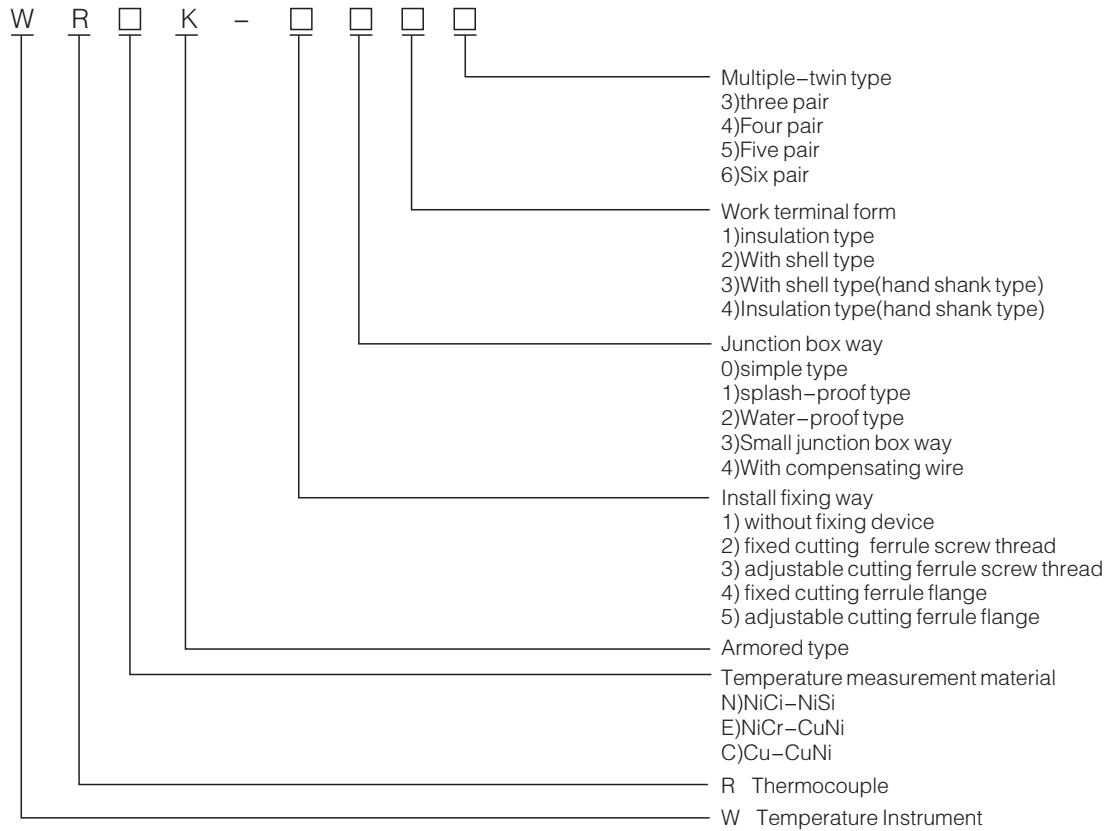
- Protection Tube Diameter  
0 Φ 16  
1 Φ 20  
2 Φ 16 High Al Content Tube  
3 Φ 20 High Al Content Tube
- Junction Box  
2 Anti-spray Type  
3 Water-proof Type
- Mounting & Fixing  
1 Without Fixing Device  
2 Threaded Connector  
3 Movable Flange  
4 Fixed Flange  
6 Fixed Threaded Cone Connector
- Filament blank Simplex  
2 Duplex
- Thermal Element Material  
N NiCr-NiSi  
M NiCrSi-NiSi  
E NiCr-CuNi  
C Cu-CuNi  
F Fe-CuNi
- Z Thermal Resistance
- W Temperature Instrument



Armored thermocouple



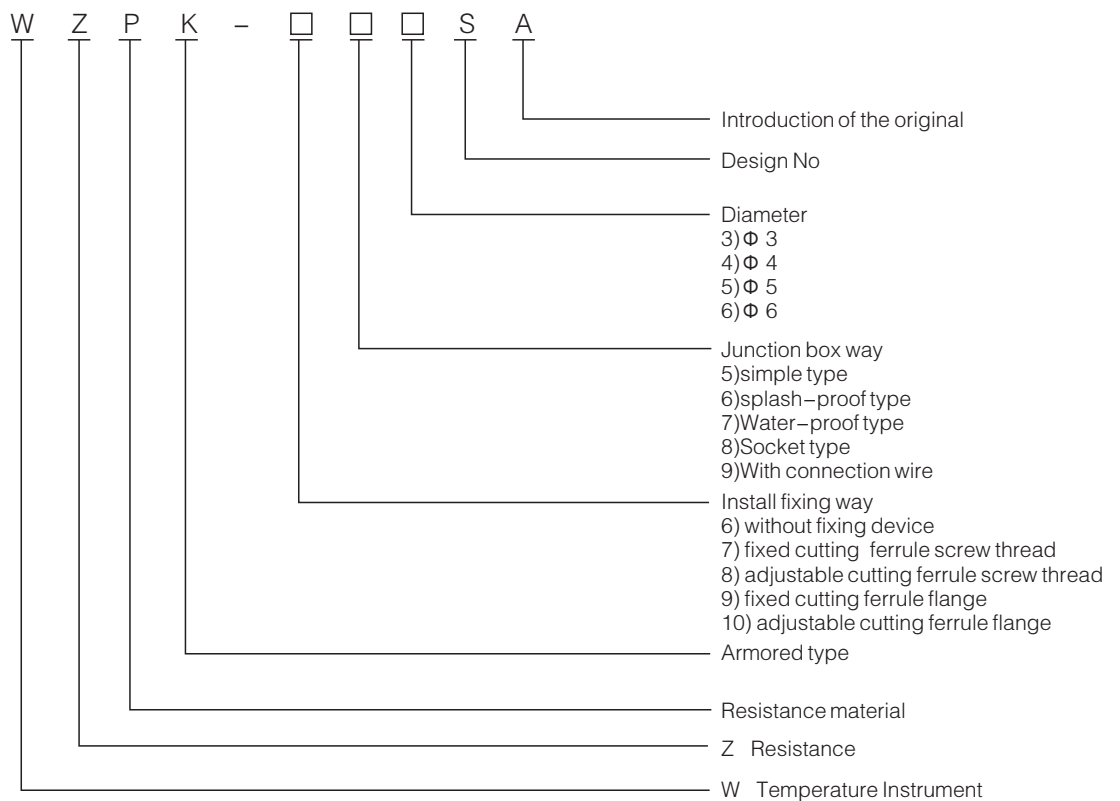
Φ 1. Φ 1.5; Φ 2; Φ 3; Φ 4;  
Φ 5; Φ 6; Φ 7; Φ 8; Φ 10



armored resistance



Φ 1. Φ 1.5; Φ 2; Φ 3; Φ 4;  
Φ 5; Φ 6; Φ 7; Φ 8; Φ 10





Type:	T78
Contact type:	1H、1Z
Contact overload:	7A 125VAC 5A 220VAC 24VDC
Rated coil power:	0.6W
Coil specification:	3 ~ 24VDC
Outline dimensions:	15.7 × 12.3 × 14mm
Carton size:	420 × 235 × 229
Carton number:	3000
Net weight:	17kg
Gross weight:	18kg



Type:	T93
Contact type:	1H、1D、1Z
Contact overload:	1H: 30A 240VAC/28VDC 1Z: 20A 240VAC/28VDC
Rated coil power:	DC0.93W AC1.5VA
Coil specification:	5 ~ 110VDC 12 ~ 220VAC
Outline dimensions:	32.5 × 27.5 × 19.5mm
Carton size:	420 × 388 × 282
Carton number:	600
Net weight:	15kg
Gross weight:	16kg



Type:	4078
Contact type:	2Z
Contact overload:	1A 120VAC 24VDC
Rated coil power:	0.36W(0.54W)
Coil specification:	3 ~ 48VDC
Outline dimensions:	21 × 10 × 12mm
Carton size:	490 × 340 × 170
Carton number:	2000
Net weight:	13kg
Gross weight:	14kg



Type:	T90
Contact type:	1H、1H、1D
Contact overload:	30A, 40A 240VAC/28VDC
Rated coil power:	DC0.93W AC1.2VA
Coil specification:	DC3V ~ 110V AC6V ~ 240V
Outline dimensions:	32.5 × 27 × 20.5mm
Carton size:	440 × 310 × 345
Carton number:	380
Net weight:	15kg
Gross weight:	16kg



Type:	4120
Contact type:	1Z、1H、1D
Contact overload:	15A
Rated coil power:	1.6W(1.9W)
Coil specification:	DC12V ~ 24V
Outline dimensions:	26.5 × 22 × 21mm
Carton size:	340 × 310 × 345
Carton number:	180
Net weight:	15kg
Gross weight:	16kg



Type:	T91
Contact type:	1Z、1H、1D
Contact overload:	30A 40A
Rated coil power:	DC: 0.93W AC: 1.2VA
Coil specification:	DC3V ~ 110V AC6V ~ 240V
Outline dimensions:	32.5 × 27 × 20.5mm
Carton size:	440 × 310 × 345
Carton number:	380
Net weight:	15kg
Gross weight:	16kg



Type:	JD1914
Contact type:	1Z、1H、1D
Contact overload:	30A
Rated coil power:	1.8W
Coil specification:	DC12V ~ 24V
Outline dimensions:	29 × 29 × 26.5mm
Carton size:	340 × 310 × 345
Carton number:	180
Net weight:	15kg
Gross weight:	16kg



Type:	JD19.29
Contact type:	1H、1D、1Z
Contact overload:	30A 12VDC 20A 24VDC
Rated coil power:	1.8W
Coil specification:	12VDC 24VDC
Outline dimensions:	28 × 28 × 25mm
Carton size:	385 × 190 × 300
Carton number:	400
Net weight:	14kg
Gross weight:	15kg



Type:	T73
Contact type:	1Z、1H、1D
Contact overload:	5A、7A、10A
Rated coil power:	0.36W (0.45W, 0.54W)
Coil specification:	DC3V ~ 48V
Outline dimensions:	19 × 15.5 × 15.5mm
Carton size:	440 × 310 × 345
Carton number:	380
Net weight:	15kg
Gross weight:	16kg



Type:	JD191B
Contact type:	1H
Contact overload:	30A
Rated coil power:	1.8W
Coil specification:	DC12V ~ 24V
Outline dimensions:	25 × 28 × 29.5mm
Carton size:	440 × 310 × 345
Carton number:	380
Net weight:	15kg
Gross weight:	16kg



Type:	4120
Contact type:	1Z、1H、1D
Contact overload:	15A
Rated coil power:	1.6W(1.9W)
Coil specification:	DC12V ~ 24V
Outline dimensions:	26.8 × 21.5 × 22.5mm
Carton size:	440 × 310 × 345
Carton number:	380
Net weight:	15kg
Gross weight:	16kg



Type:	JQX-14FC-2Z
Contact type:	2H、2D、2Z
Contact overload:	5A 240VAC/28VDC
Rated coil power:	DC0.55W AC0.8VA
Coil specification:	5 ~ 110VDC 6 ~ 220VAC
Outline dimensions:	30 × 13 × 25.4mm
Carton size:	342 × 263 × 325
Carton number:	500
Net weight:	9kg
Gross weight:	10kg





Type:	JQX-14FC-1Z
Contact type:	1Z、1H、1D
Contact overload:	10A 16A 240VAC/28VDC
Rated coil power:	DC0.55W AC0.8VA
Coil specification:	5 ~ 110VDC 6 ~ 220VAC
Outline dimensions:	30 × 13 × 25.4mm
Carton size:	342 × 263 × 325
Carton number:	500
Net weight:	9kg
Gross weight:	10kg



Type:	JQX-13F/3Z; LY3
Contact type:	3H、3D、3Z
Contact overload:	10A 240VAC 28VDC
Rated coil power:	DC1.4W AC2.5VA
Coil specification:	5 ~ 220VDC 6 ~ 380VAC
Outline dimensions:	31 × 28 × 36mm
Carton size:	440 × 310 × 345
Carton number:	280
Net weight:	17kg
Gross weight:	18kg



Type:	JQX-13F/1Z; LY1
Contact type:	1H、1D、1Z
Contact overload:	15A 240VAC 28VDC
Rated coil power:	DC0.9W AC1.2VA
Coil specification:	5 ~ 220VDC 6 ~ 380VAC
Outline dimensions:	28 × 21 × 36mm
Carton size:	440 × 310 × 345
Carton number:	500
Net weight:	18kg
Gross weight:	19kg



Type:	JQX-13F/4Z; LY4
Contact type:	4H、4D、4Z
Contact overload:	10A 240VAC 28VDC
Rated coil power:	DC1.5W AC3.2VA
Coil specification:	5 ~ 220VDC 5 ~ 380VAC
Outline dimensions:	41 × 28 × 36mm
Carton size:	440 × 310 × 345
Carton number:	280
Net weight:	17kg
Gross weight:	18kg



Type:	JQX13F/2Z; LY2
Contact type:	2H、2D、2Z
Contact overload:	10A 240VAC 28VDC
Rated coil power:	DC0.9W AC1.2VA
Coil specification:	5 ~ 220VDC 6 ~ 380VAC
Outline dimensions:	28 × 21 × 36mm
Carton size:	440 × 310 × 345
Carton number:	500
Net weight:	18kg
Gross weight:	19kg



Type:	HH52P
Contact type:	2H、2D、2Z
Contact overload:	5A 240VAC 28VDC
Rated coil power:	DC0.9W AC1.2VA
Coil specification:	5 ~ 220VDC 6 ~ 380VAC
Outline dimensions:	28 × 21 × 36mm
Carton size:	440 × 310 × 345
Carton number:	500
Net weight:	18kg
Gross weight:	19kg



Type:	HH53P
Contact type:	3Z、3H、3D
Contact overload:	5A
Rated coil power:	DC0.9W AC1.2VA
Coil specification:	DC3V ~ 220V AC3V ~ 380V
Outline dimensions:	27 × 21 × 35mm
Carton size:	440 × 310 × 345
Carton number:	380
Net weight:	18kg
Gross weight:	19kg



Type:	JTX-2C
Contact type:	2Z、2H、2D 3Z、3H、3D
Contact overload:	10A
Rated coil power:	DC2.0W AC3.5VA
Coil specification:	DC6V ~ 220V AC6V ~ 380V
Outline dimensions:	35 × 35 × 55mm
Carton size:	440 × 310 × 345
Carton number:	380
Net weight:	15kg
Gross weight:	16kg



Type:	HH54P
Contact type:	4Z、4H、4D
Contact overload:	3A
Rated coil power:	DC0.9W AC1.2VA
Coil specification:	DC3V ~ 220V AC3V ~ 380V
Outline dimensions:	27 × 21 × 35mm
Carton size:	440 × 310 × 345
Carton number:	380
Net weight:	15kg
Gross weight:	16kg



Type:	JTX-3C
Contact type:	3Z、3H、3D
Contact overload:	10A
Rated coil power:	DC2.0W AC3.5VA
Coil specification:	DC6V ~ 220V AC6V ~ 380V
Outline dimensions:	35 × 35 × 55mm
Carton size:	440 × 310 × 345
Carton number:	380
Net weight:	15kg
Gross weight:	16kg



Type:	JQX-10F,JTX
Contact type:	2Z、2H、2D 3Z、3H、3D
Contact overload:	10A
Rated coil power:	DC2.0W AC3.5VA
Coil specification:	DC6V ~ 220V AC6V ~ 380V
Outline dimensions:	35 × 35 × 55mm
Carton size:	440 × 310 × 345
Carton number:	380
Net weight:	15kg
Gross weight:	16kg



Type:	MK2P
Contact type:	2Z、2H、2D
Contact overload:	10A
Rated coil power:	DC2.0W AC3.5VA
Coil specification:	DC6V ~ 220V AC6V ~ 380V
Outline dimensions:	35.5 × 35.5 × 55.5mm
Carton size:	440 × 310 × 345
Carton number:	380
Net weight:	15kg
Gross weight:	16kg



Type:	MK3P
Contact type:	3Z、3H、3D
Contact overload:	10A
Rated coil power:	DC2.0W AC3.5VA
Coil specification:	DC6V ~ 220V AC6V ~ 380V
Outline dimensions:	35.5 × 35.5 × 55.5mm
Carton size:	440 × 310 × 345
Carton number:	380
Net weight:	15kg
Gross weight:	16kg



Type:	55.02
Contact type:	2Z
Contact capacity:	AC 10A 220V DC 10A 28V
Contact resistance:	≤ 50mΩ
Insulation resistance:	≥ 100mΩ
Dielectric strength:	BOC 1000VAC BCC 1500VAC
Coil nominal voltage:	AC 6 to 240V DC 6 to 110V
Coil nominal power:	AC 0.9VA to 1.2VA DC ≤ 0.9W
Electrical life(OPS):	10 <sup>5</sup>
Mechanical life(OPS):	10 <sup>7</sup>
Operating temperature(°C):	-40~+60
Weight(g):	≤ 35
Mounting:	Printed-circuit board, Flange, Outlet



Type:	60.12
Contact type:	2Z
Contact capacity:	AC 10A 220V DC 10A 28V
Contact resistance:	≤ 50mΩ
Insulation resistance:	≥ 500mΩ
Dielectric strength:	BOC 2000VAC BCC 2000VAC
Coil nominal voltage:	AC 6 to 240V DC 6 to 240V
Coil nominal power:	AC ≤ 3.5VA DC ≤ 2W
Electrical life(OPS):	20 <sup>5</sup>
Mechanical life(OPS):	20 <sup>7</sup> /50 <sup>7</sup>
Operating temperature(°C):	-40~+70
Weight(g):	≤ 125
Mounting:	Outlet



Type:	55.04
Contact type:	4Z
Contact capacity:	AC 5A 250V DC 5A 30V
Contact resistance:	≤ 50mΩ
Insulation resistance:	≥ 100mΩ
Dielectric strength:	BOC 1000VAC BCC 1500VAC
Coil nominal voltage:	AC 6 to 240V DC 6 to 110V
Coil nominal power:	AC 0.9VA to 1.2VA DC ≤ 0.9W
Electrical life(OPS):	10 <sup>5</sup>
Mechanical life(OPS):	10 <sup>7</sup>
Operating temperature(°C):	-40~+60
Weight(g):	≤ 35
Mounting:	Printed-circuit board, Flange, Outlet



Type:	60.13
Contact type:	3Z
Contact capacity:	AC 10A 220V DC 10A 28V
Contact resistance:	≤ 50mΩ
Insulation resistance:	≥ 500mΩ
Dielectric strength:	BOC 2000VAC BCC 2000VAC
Coil nominal voltage:	AC 6 to 240V DC 6 to 240V
Coil nominal power:	AC ≤ 3.5VA DC ≤ 2W
Electrical life(OPS):	20 <sup>5</sup>
Mechanical life(OPS):	20 <sup>7</sup> /50 <sup>7</sup>
Operating temperature(°C):	-40~+70
Weight(g):	≤ 125
Mounting:	Outlet



Type:	70.2
Contact type:	2Z
Contact capacity:	AC 10A 250V DC 10A 30V
Contact resistance:	≤ 50mΩ
Insulation resistance:	≥ 500mΩ
Dielectric strength:	BOC 1500VAC BCC 1500VAC
Coil nominal voltage:	AC 6 to 380V DC 6 to 220V
Coil nominal power:	AC 2.0VA to 2.8VA DC ≤ 1.5W
Electrical life(OPS):	10 <sup>5</sup>
Mechanical life(OPS):	10 <sup>7</sup>
Operating temperature(°C):	-40~+60
Weight(g):	≤ 85
Mounting:	Outlet



Type:	70.3
Contact type:	3Z
Contact capacity:	AC 10A 250V DC 10A 30V
Contact resistance:	≤50mΩ
Insulation resistance:	≥500mΩ
Dielectric strength:	BOC 1500VAC BCC 1500VAC
Coil nominal voltage:	AC 6 to 380V DC 6 to 220V
Coil nominal power:	AC 2.0VA to 2.8VA DC ≤1.5W
Electrical life(OPS):	10 <sup>5</sup>
Mechanical life(OPS):	10 <sup>7</sup>
Operating temperature(°C):	-40~+60
Weight(g):	≤85
Mounting:	Outlet



Type:	JQX-40F 30A
Contact type:	1Z、1H、1D
Contact overload:	30A
Rated coil power:	2.0W
Coil specification:	DC6V ~ 220V
Outline dimensions:	60 × 45 × 46mm
Carton size:	440 × 310 × 345
Carton number:	380
Net weight:	15kg
Gross weight:	16kg



Type:	JQX-30F
Contact type:	1Z、1H、1D 2Z、2H、2D
Contact overload:	30A
Rated coil power:	DC: 2.0W AC: 3.5VA
Coil specification:	DC6V ~ 220V AC6V ~ 380V
Outline dimensions:	43 × 35.5 × 48mm
Carton size:	440 × 310 × 345
Carton number:	380
Net weight:	15kg
Gross weight:	16kg



Type:	HHC71-3
Contact type:	2Z、2H、2D 3Z、3H、3D
Contact overload:	40A
Rated coil power:	DC: 2.0W AC: 5.0VA
Coil specification:	DC6V ~ 220V AC6V ~ 380V
Outline dimensions:	55.5 × 30 × 37.5mm
Carton size:	440 × 310 × 345
Carton number:	380
Net weight:	15kg
Gross weight:	16kg



Type:	JQX-12F
Contact type:	1H、1D、1Z 2H、2D、2Z
Contact overload:	30A/240VAC 28VDC
Rated coil power:	DC: 2.5W AC: 6VA
Coil specification:	DC6V ~ 220V AC6V ~ 380V
Outline dimensions:	40 × 50 × 56mm
Carton size:	440 × 310 × 345
Carton number:	280
Net weight:	18kg
Gross weight:	19kg



Type:	JQX-78F
Contact type:	2Z、2H、2D 3Z、3H、3D
Contact overload:	60A
Rated coil power:	DC4.5W AC10.5VA
Coil specification:	DC6V ~ 220V AC6V ~ 380V
Outline dimensions:	81 × 53.5 × 67.5mm
Carton size:	440 × 310 × 345
Carton number:	380
Net weight:	15kg
Gross weight:	16kg





Type:	JQX-40F-1Z
Contact type:	1Z、1H、1D
Contact overload:	50A
Rated coil power:	DC2.0W AC5.5VA
Coil specification:	DC6V ~ 220V AC6V ~ 380V
Outline dimensions:	60 × 46 × 46mm
Carton size:	440 × 310 × 345
Carton number:	380
Net weight:	15kg
Gross weight:	16kg



Type:	JQX-59F
Contact type:	1Z、1H、1D
Contact overload:	80A
Rated coil power:	DC3.6W AC6.5VA
Coil specification:	DC6V ~ 220V AC6V ~ 380V
Outline dimensions:	66.5 × 47 × 72mm
Carton size:	440 × 310 × 345
Carton number:	380
Net weight:	15kg
Gross weight:	16kg



Type:	JQX-58F
Contact type:	1Z、1H、1D
Contact overload:	60A
Rated coil power:	DC2.0W AC6.5VA
Coil specification:	DC6V ~ 220V AC6V ~ 380V
Outline dimensions:	68 × 47 × 60mm
Carton size:	440 × 310 × 345
Carton number:	380
Net weight:	15kg
Gross weight:	16kg



Type:	JQX-62F-1Z
Contact type:	1H、1D、1Z
Contact overload:	100A 250VAC 24VDC
Rated coil power:	DC2.5W AC17.5VA
Coil specification:	5 ~ 110VDC 6 ~ 380VAC
Outline dimensions:	70 × 64 × 58mm
Carton size:	370 × 265 × 315
Carton number:	60
Net weight:	18kg
Gross weight:	19kg



Type:	JQX-58F
Contact type:	2Z、2H、2D
Contact overload:	40A
Rated coil power:	DC2.0W AC5.5VA
Coil specification:	DC6V ~ 220V AC6V ~ 380V
Outline dimensions:	68 × 47.5 × 60mm
Carton size:	440 × 310 × 345
Carton number:	380
Net weight:	15kg
Gross weight:	16kg



Type:	JQX-62F-2Z
Contact type:	2H、2D、2Z
Contact overload:	80A 250VAC 24VDC
Rated coil power:	DC2.5W AC17.5VA
Coil specification:	5 ~ 110VDC 6V ~ 380VAC
Outline dimensions:	89 × 64 × 58mm
Carton size:	370 × 265 × 315
Carton number:	60
Net weight:	18kg
Gross weight:	19kg



Type:	SSR-DA SSR-DD
Controlling Voltage:	032:3-32VDC
Controlling Current:	6-35mA
Make-on Voltage:	3VDC
Break-off Voltage:	1VDC
Reverse Voltage:	32VDC
Load Voltage:	22:30-240VAC、 38:40-440VAC 20:12-200VDC
Load Current:	1、2、3、4A
Instant Voltage:	22:600VAC、38:900VAC 20:220VDC
Voltage Drop in On:	< 1.6VAC、< 1.2VDC
On-off Time:	≤ 10ms、≤ 5mS
Leakage Current in off:	≤ 10mA、≤ 5mA
Dielectric Strength:	≥ 1500VAC
Insulation Resistance:	500MΩ、500VDC
Ambient Temp:	-30~80°C
Weight:	≈ 22g
Dimensions:	42 × 25.5 × 12
Wiring Diagram:	GW03、GW04
Remarks:	Used to Air condition, Mahjong machine, Bundle of money machine and other appliance.



Type:	SSR-DA SSR-DD
Controlling Voltage:	032:3-32VDC
Controlling Current:	6-35mA
Make-on Voltage:	3VDC
Break-off Voltage:	1VDC
Reverse Voltage:	32VDC
Load Voltage:	22:30-240VAC、38:40-440VAC 20:12-200VDC
Load Current:	1A
Instant Voltage:	22:600VAC、38:900VAC 20:220VDC
Voltage Drop in On:	< 1.6VAC、< 1.2VDC
On-off Time:	≤ 10ms、≤ 5ms
Leakage Current in off:	≤ 10mA、≤ 5mA
Dielectric Strength:	≥ 1500VAC
Insulation Resistance:	500MΩ、500VDC
Ambient Temp:	-30~80°C
Weight:	≈ 17g
Dimensions:	32.5 × 17.5 × 17.6
Wiring Diagram:	GW01、GW02
Remarks:	Used to Air condition, Mahjong machine, Bundle of money machine and other appliance.



Type:	SSR-VA
Controlling Voltage:	0-5VDC, 0-10VDC, 4-20mA adjustment
Break-off Voltage:	with power ; insulation type
Load Voltage:	220VAC
Load Current:	10、20、30、40、100A
Regulate Range:	10-250VAC
Instant Voltage:	22、600VAC
Voltage Drop in On:	3VAC
Leakage Current in off:	≤ 10mA
Dielectric Strength:	≥ 2500VAC
Insulation Resistance:	500MΩ 500VDC test
Ambient Temp:	-30~80°C
Dimensions:	106L × 75W × 31.5H
Indicate Methods:	LED
Mounting Type:	bolt fixed
Weight:	390g



Type:	SSR-DA
Controlling Voltage:	014:3-14VDC, 032:3-32VDC
Controlling Current:	6-35mA
Make-on Voltage:	3VDC
Break-off Voltage:	1VDC
Reverse Voltage:	32VDC
Load Voltage:	22:30-240VAC, 38:40-440VAC
Load Current:	5A
Instant Voltage:	22:600VAC, 38:900VAC
Voltage Drop in On:	1.6VAC
On-off Time:	≤ 10ms
Leakage Current in off:	≤ 10mA
Dielectric Strength:	≥ 1500VAC
Insulation Resistance:	500MΩ 500VDC test
Ambient Temp:	-30~80°C
Dimensions:	43L × 31W × 20H
Mounting Type:	PCB print board welded
Weight:	79g



Type:	SSR-DA
Controlling Voltage:	032:3-32VDC
Controlling Current:	6-35mA
Make-on Voltage:	3VDC
Break-off Voltage:	1VDC
Reverse Voltage:	32VDC
Load Voltage:	22:30-240VAC、38:40-440VAC
Load Current:	5、10、15A
Instant Voltage:	22:600VAC、38:900VAC
Voltage Drop in On:	<1.6VAC
On-off Time:	≤10ms
Leakage Current in off:	≤10mA
Dielectric Strength:	≥2500VAC
Insulation Resistance:	500MΩ、500VDC test
Ambient Temp:	-30~80°C
Weight:	≈30g
Indicate Method:	LED
Dimensions:	38.5 × 28.7 × 18
Wiring Diagram:	GW03
Remarks:	load over 10A must install radiator



Type:	SSR-DA
Controlling Voltage:	032:3-32VDC
Controlling Current:	6-25mA
Make-on Voltage:	3VDC
Break-off Voltage:	1VDC
Reverse Voltage:	32VDC
Load Voltage:	38:40-440VAC、120:40-1200VAC
Load Current:	60、80、100、120A
Instant Voltage:	38:1100VAC、120:1600VAC
Voltage Drop in On:	<1.6VDC
On-off Time:	≤10ms
Leakage Current in off:	≤10mA
Dielectric Strength:	≥2500VAC
Insulation Resistance:	500MΩ、500VDC test
Ambient Temp:	-30~80°C
Weight:	60A≈135g、80A≈140g、120A≈145g
Indicate Method:	LED
Dimensions:	57.2 × 43.5 × 29
Wiring Diagram:	GW05
Remarks:	load over 10A must install radiator

Note: Must install fan for Strengthen-cold or Water-cold more than 80A



Type:	SSR-DA
Controlling Voltage:	032:3-32VDC
Controlling Current:	6-25mA
Make-on Voltage:	3VDC
Break-off Voltage:	1VDC
Reverse Voltage:	32VDC
Load Voltage:	22:30-240VAC、38:40-440VAC
Load Current:	10、15、20、25、30、40、60、80、100A
Instant Voltage:	22:600VAC、38:900VAC
Voltage Drop in On:	<1.6VAC
On-off Time:	≤10ms
Leakage Current in off:	≤10mA
Dielectric Strength:	≥2500VAC
Insulation Resistance:	500MΩ、500VDC test
Ambient Temp:	-30~80°C
Weight:	10A≈110g、40A≈145g、80A≈150g
Indicate Method:	LED
Dimensions:	57.2 × 43.5 × 29
Wiring Diagram:	GW03
Remarks:	load over 10A must install radiator

Note: Must install fan for Strengthen-cold or Water-cold more than 80A



Type:	SSR-DA
Controlling Voltage:	014:3-14VDC,032:3-32VDC
Controlling Current:	6-35mA
Make-on Voltage:	3VDC
Break-off Voltage:	1VDC
Reverse Voltage:	32VDC
Load Voltage:	38:40-440VAC,120:40-1200VAC
Load Current:	60A,80A,100A,120A
Instant Voltage:	38:900VAC,120:1600VAC
Voltage Drop in On:	<1.6VDC
On-off Time:	≤10ms
Leakage Current in off:	≤10mA
Dielectric Strength:	≥2500VAC
Insulation Resistance:	500MΩ 500VDC test
Ambient Temp:	-30~80°C
Dimensions:	57.2L × 43.5W × 29H
Indicate Methods:	LED
Mounting Type:	bolt fixed
Weight:	150g or so



Type:	SSR-DD
Controlling Voltage:	032:5-32VDC
Controlling Current:	6-25mA
Make-on Voltage:	5VDC
Break-off Voltage:	1VDC
Reverse Voltage:	32VDC
Load Voltage:	20:12-250VDC
Load Current:	10A,15A,20A,25A,30A,40A
Instant Voltage:	20:400VDC
Voltage Drop in On:	<1.2VDC
On-off Time:	≤5mS
Leakage Current in off:	≤5mA
Dielectric Strength:	≥2500VAC
Insulation Resistance:	500MΩ 500VDC test
Ambient Temp:	-30~80°C
Dimensions:	57.2L × 43.5W × 29H
Indicate Methods:	LED
Mounting Type:	bolt fixed
Weight:	130g or so



Type:	SSR-DA
Controlling Voltage:	032:3-32VDC
Controlling Current:	6-35mA
Make-on Voltage:	3VDC
Break-off Voltage:	1VDC
Reverse Voltage:	32VDC
Load Voltage:	30-240VAC、40-440VAC
Load Current:	10、15、20、25、30、40、60、80A
Instant Voltage:	22:600VAC、38:900VAC
Voltage Drop in On:	<1.6VAC
On-off Time:	≤10ms
Leakage Current in off:	≤10mA
Dielectric Strength:	≥2500VAC
Insulation Resistance:	500MΩ、500VDC test
Ambient Temp:	-30~80°C
Weight:	10A≈130g、20A≈135g、40A≈145g
Indicate Method:	LED
Dimensions:	63 × 45 × 26
Wiring Diagram:	GW03
Remarks:	load over 10A must install radiator

Note: Must install fan for Strengthen-cold or Water-cold more than 80A



Type:	SSR-VA
Controlling Method:	2W470-560KΩ
Load Voltage:	220VAC 380VAC
Regulate Range:	10-250VAC 10-440VAC
Isolation Voltage:	Without insulation
Leakage Current in off:	≤10mA
Load Current:	10、15、20、25、30、40A
Instant Voltage:	22、600VAC,38、900VAC
Voltage Drop in On:	<3VAC
Dielectric Strength:	≥2500VAC output terminal-heat sinker board
Insulation Resistance:	500MΩ 500VDC test
Ambient Temp:	-30~80°C
Dimensions:	57.2L × 43.5W × 29H
Indicate Methods:	LED
Mounting Type:	bolt fixed
Weight:	110g or so



Type:	SSR-AA
Controlling Voltage:	250:90-250VAC
Controlling Current:	5-30mA
Make-on Voltage:	90VAC
Break-off Voltage:	10VAC
Load Voltage:	22:30-240VAC、38:40-440VAC
Load Current:	10、15、20、25、30、40、60、80A
Instant Voltage:	22:600VAC、38:900VAC
Voltage Drop in On:	<1.6VAC
On-off Time:	≤10ms
Leakage Current in off:	≤10mA
Dielectric Strength:	≥2500VAC
Insulation Resistance:	500MΩ、500VDC test
Ambient Temp:	-30~80°C
Weight:	10A≈110g、40A≈145g、80A≈150g
Indicate Method:	LED
Dimensions:	57.2 × 43.5 × 29
Wiring Diagram:	GW06
Remarks:	load over 10A must install radiator

Note: Must install fan for Strengthen-cold or Water-cold more than 80A





Type:	SSR-VA
Controlling Method:	2W470-560K Ω
Load Voltage:	220VAC 380VAC
Regulate Range:	10-250VAC 10-440VAC
Isolation Voltage:	Without insulation
Leakage Current in off:	≤ 10mA
Load Current:	60、80A
Instant Voltage:	22、600VAC,38、900VAC
Voltage Drop in On:	3VAC
Dielectric Strength:	≥2500VAC output terminal-heat sinker board
Insulation Resistance:	500M Ω 500VDC test
Ambient Temp:	-30~80°C
Dimensions:	63L × 45W × 26H
Indicate Methods:	LED
Mounting Type:	bolt fixed
Weight:	145g



Type:	SSR-AA
Controlling Voltage:	250:90-250VAC
Controlling Current:	5-30mA
Make-on Voltage:	90VAC
Break-off Voltage:	10VAC
Load Voltage:	38:40-440VAC
Load Current:	10A, 15A, 20A, 25A, 30A, 40A, 60A, 80A
Instant Voltage:	38:1000VAC
Voltage Drop in On:	<1.6VAC
On-off Time:	≤ 10mS
Leakage Current in off:	≤ 10mA
Dielectric Strength:	≥ 2500VAC
Insulation Resistance:	500M Ω 500VDC test
Ambient Temp:	-30~80°C
Dimensions:	106L × 75W × 31.5H
Indicate Methods:	LED
Mounting Type:	bolt fixed
Weight:	365g



Type:	HHG1A-1/032F-38 60-150A
Controlling Voltage:	014:3-14VDC,032:3-32VDC
Controlling Current:	5-35mA
Make-on Voltage:	3VDC
Break-off Voltage:	1VDC
Reverse Voltage:	32VDC
Load Voltage:	120:60-1200VAC
Load Current:	100A, 120A, 150A, 200A, 250A
Instant Voltage:	120:1600VAC
voltage Drop in On:	<1.6VAC
On-off Time:	≤ 10mS
Leakage Current in off:	≤ 10mA
Dielectric Strength:	≥ 2500VAC
Insulation Resistance:	500M Ω 500VDC test
Ambient Temp:	-30~80°C
Dimensions:	94L × 34W × 43H
Indicate Methods:	LED
Mounting Type:	bolt fixed
Weight:	235g



Type:	SSR-VA
Controlling Method:	0-5VDC or 0-10VDC adjustment
Load Voltage:	220VAC
Regulate Range:	10-250VAC
Isolation Voltage:	with power ;insulation type
Leakage Current in off:	≤ 10mA
Load Current:	10、15、20、25、30、40A
Instant Voltage:	22、600VAC
Voltage Drop in On:	3VAC
Dielectric Strength:	≥ 2500VAC
Insulation Resistance:	500M Ω 500VDC test
Ambient Temp:	-30~80°C
Dimensions:	63L × 45W × 26H
Indicate Methods:	LED
Mounting Type:	bolt fixed
Weight:	135g



Type:	SSR-DA
Controlling Voltage:	014:3-14VDC,032:3-32VDC
Controlling Current:	6-35mA
Make-on Voltage:	3VDC
Break-off Voltage:	1VDC
Reverse Voltage:	32VDC
Load Voltage:	38:40-440VAC
Load Current:	10A,15A,20A,25A,30A,40A 60A,80A,100A,120A
Instant Voltage:	38:1000VAC
Voltage Drop in On:	<1.6VAC
On-off Time:	≤10mS
Leakage Current in off:	≤10mA
Dielectric Strength:	≥2500VAC
Insulation Resistance:	500MΩ 500VDC test
Ambient Temp:	-30~80°C
Dimensions:	106L × 75W × 31.5H
Indicate Methods:	LED
Mounting Type:	bolt fixed
Weight:	365g



Type:	SSR-DA
Controlling Voltage:	005:4.5-5.5VDC,010:9-11VDC
Controlling Current:	8-20mA
Make-on Voltage:	4.5VDC,9.5VDC
Break-off Voltage:	1VDC
Now/Reverse Turn Time:	≥200ms
Load Voltage:	38:40-440VAC
Load Current:	10A,15A,20A,25A,30A,40A
Instant Voltage:	38:1600VAC
Voltage Drop in On:	<1.6VAC
On-off Time:	≤10mS
Leakage Current in off:	≤10mA
Dielectric Strength:	≥2500VAC
Insulation Resistance:	500MΩ 500VDC test
Ambient Temp:	-30~80°C
Dimensions:	106L × 75W × 31.5H
Indicate Methods:	LED
Mounting Type:	bolt fixed,standard din rail
Weight:	10A:≤450g



Type:	SSR-DA
Controlling Voltage:	014:3-14VDC,032:3-32VDC
Controlling Current:	5-35mA
Make-on Voltage:	3VDC
Break-off Voltage:	1VDC
Reverse Voltage:	32VDC
Load Voltage:	38:40-440VAC
Load Current:	100A,120A,150A,200A,250A
Instant Voltage:	38:1100VAC
Voltage Drop in On:	<1.6VAC
On-off Time:	≤10mS
Leakage Current in off:	≤10mA
Dielectric Strength:	≥2500VAC
Insulation Resistance:	500MΩ 500VDC test
Ambient Temp:	-30~80°C
Dimensions:	94L × 34W × 43H
Indicate Methods:	LED
Mounting Type:	bolt fixed
Weight:	235g



Type:	SSR-DA
Controlling Voltage:	032:3-32VDC
Controlling Current:	6-25mA
Make-on Voltage:	3VDC
Break-off Voltage:	1VDC
Reverse Voltage:	32VDC
Load Voltage:	38:40-440VAC
Load Current:	100A,120A,150A,200A,250A
Instant Voltage:	38:1000VAC
Voltage Drop in On:	<1.6VAC
On-off Time:	≤10mS
Leakage Current in off:	≤10mA
Dielectric Strength:	≥2500VAC
Insulation Resistance:	500MΩ 500VDC test
Ambient Temp:	-30~80°C
Dimensions:	238L × 125W × 177H
Indicate Methods:	LED
Mounting Type:	bolt fixed,standard din rail
Weight:	4520g



RX78624-1Z



PYF14A-E<sub>2</sub>  
PYF08A-E<sub>2</sub>



PX78625  
PX78626



78750  
78755



30F



PTF08A  
PTF11A



PTF-14A



38F



14F-2Z  
14F-1Z



PF113A-E  
PF113A



13FA



PF083A-E  
PF083A



RPML0024



Px78705



PYF08A  
PYF11A



PYF14A



PTF08A  
PTF11A



PTF14A



PF113A-E  
PF113A



TP58X



TP514X



TP511X



90.22  
90.23



Type:	SSR
L × D × H:	50 × 80 × 50



Type:	TK
L × D × H:	50 × 100 × 95



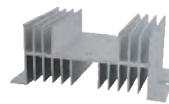
Type:	SSR
L × D × H:	100 × 70 × 80



Type:	SSR
L × D × H:	150 × 100 × 80



Type	L × D × H
MTC	150 × 125 × 135
MDS	150 × 125 × 13
SSR	115 × 125 × 135



Type	L × D × H
SSR	70 × 125 × 50
MDS	95 × 125 × 50



