

SHANGHAI XINCHI ELECTRIC CO.,LTD.

Add: No. 65 Haifeng Road, Baoshan District, Shanghai, China

Tel:0086 21 51619313

Fax:0086 21 61294397

E-mail: tracy@chinasuntree.com

<http://www.chinasuntree.com>

YUEQING XINCHI ELECTRIC&SCIENCE TECHNOLOGY CO.,LTD.

Add: Wanjia Industrial Zone, Malujiao, North Baixiang,
Wenzhou, Zhejiang, China

Tel:0086 577 62890205

Fax:0086 577 62890578

E-mail: julie@chinasuntree.com

<http://www.china-suntree.com>

These are only a part of our products in this guide catalogue,if you need more information,please contact us; Because of rapid product technology innovation,the products in this guide should be based on practical products or user manual, if any changements,please forgive us not to inform separately.



This manual is printed by environmentally-friendly paper,
SUNTREE Electric. All rights reserved. ST1201E

MINI CIRCUIT BREAKER SERIES



SHANGHAI XINCHI ELECTRIC CO.,LTD.
www.china-suntree.com



Innovative technology leads to better future.
professional working makes excellent quality.



Company Profile

ShangHai XinChi Electric Co., Ltd is a group company, There are four branch companies subordinate to it: Yueqing XinChi Electric&Science Technology Co.,LTD, YueQing IMP and EXP Co., Ltd. HK Yangming Electrical Technology Co., Ltd. Wenzhou Litto smart Co., Ltd. Registered trademark is "suntree".

ShangHai XinChi Electric Co., Ltd. is one of the most professional manufacturers producing low-voltage and high-voltage electrical products, we mainly produce circuit breakers, contactors, and thermal overload relay. Fuse, Switch-disconnectors, ATS, Distribution box, SPD, SSR, Transformer, Relay, Button and signal lantern, Regulator, Switching power supply, and solar connector, DC circuit breaker, solar cable, DC Switch-disconnectors, DC combiner box and so on.

As an ISO9001:2008 certified company, we have obtained many certificates, Such as IEC60947, IEC60898, CB, SAA, TUV, CE, SONCAP, RoHS, Nemko, PCT, CCC etc.

Stability, expertise and technological innovation are the corner stones of the company's business strategy.

Aiming at reliable product quality and highest customers satisfaction, we are consistently deep-ening enterprise inner reform and fully carry out quality guarantee system. Such as the quality of all products is insured under PICC, fully guaranteed consumers, rights. With special cultivation of employees, high investment on production facilities and R&D, and wide range of products, we advocate technology innovation, business honesty and trust and always put quality as our basic principles, trying to develop into a world-class electrical manufacturer with constant efforts.

Technology Innovation, Famous in the world.



MCB and Accessories

- Provide miniature circuit breaker lockouts.
- B,C,D Curve performance for general applications.

01-34



ELCB / RCD

- Provide security Leakage protection
- 30,100,300,500mA optional.
- Provide A curve.

35-62



Surge protective device


- Ploe: 1P,2P,3P+NPE,4P
- 20/40kA~60/120kA

Household AC Contactor

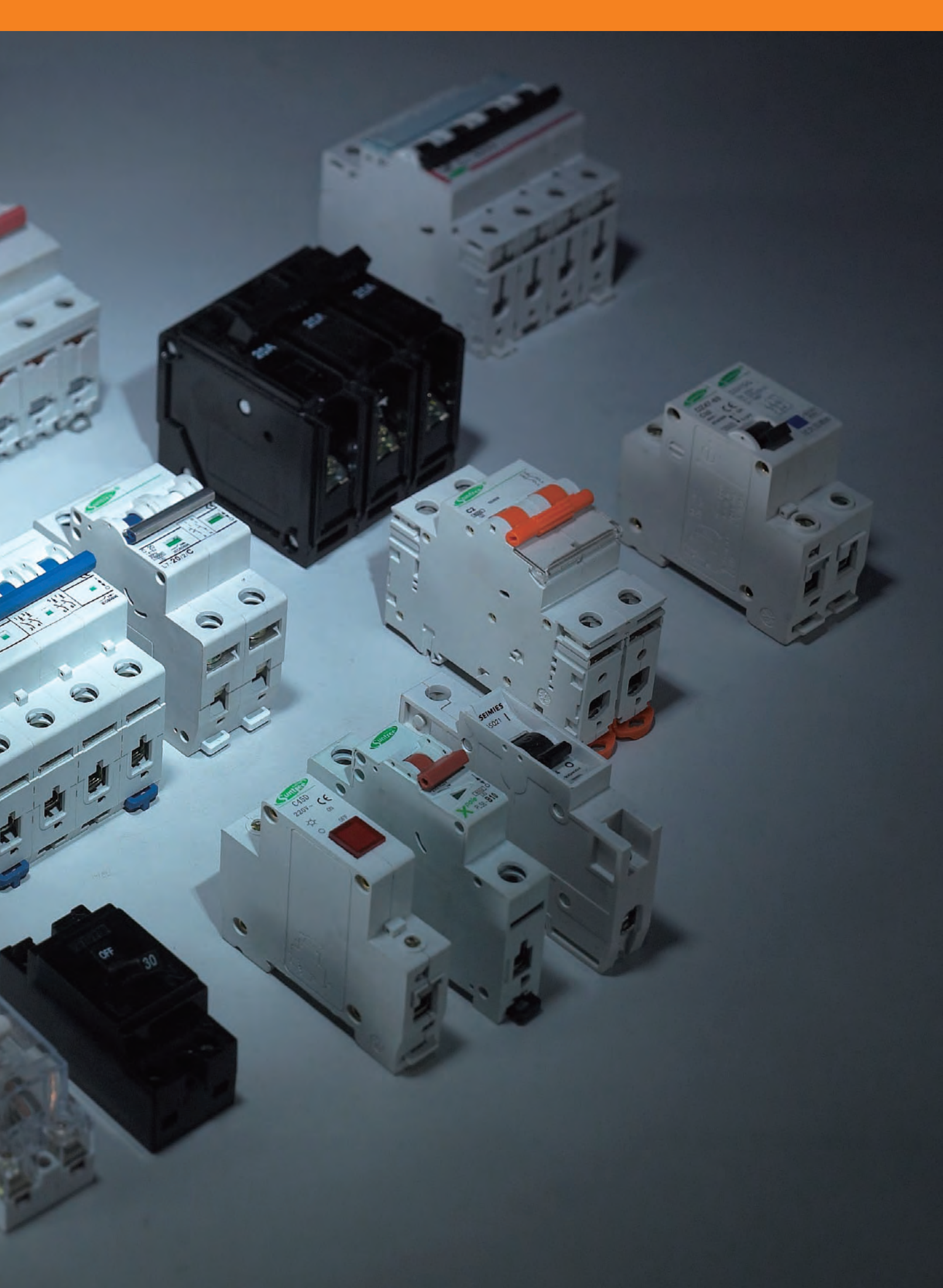
- Max current: 63A

63-69

CONTENTS



DC switch for solar system
Accept OEM&ODM
Design and improve many moulds
Passed CE、TUV、IEC、CB
Provide miniature circuit breaker lockouts



Keyword: 1-63A, 1, 1+N, 2, 3, 3+N, 4 Pole, IEC60947-2, SAA, CE, TUV, CB, Nemko, Square indicator window
SL7-63 MCB

Application

SL7-63 have protective function as shortage as overload, and are used in lighting distribution system in commerce and dwelling, and protect fractional electric motors. And they also have many merits of high protective grade(up to IP20), high breaking capacity, reliable sensitive action, convenient, multi pole assembling, long life ect. They are mainly adapted to the circuit of AC 50Hz, 250V in single pole, 415V in double, three, four poles for protecting overload and short circuit. Mean while, they are also used in turning on or off the electric apparatus and lighting circuit under the normal conditions.



Transparent shell

We supply more comprehensive security: SAFE LOCK, Detailed installation process as follow:



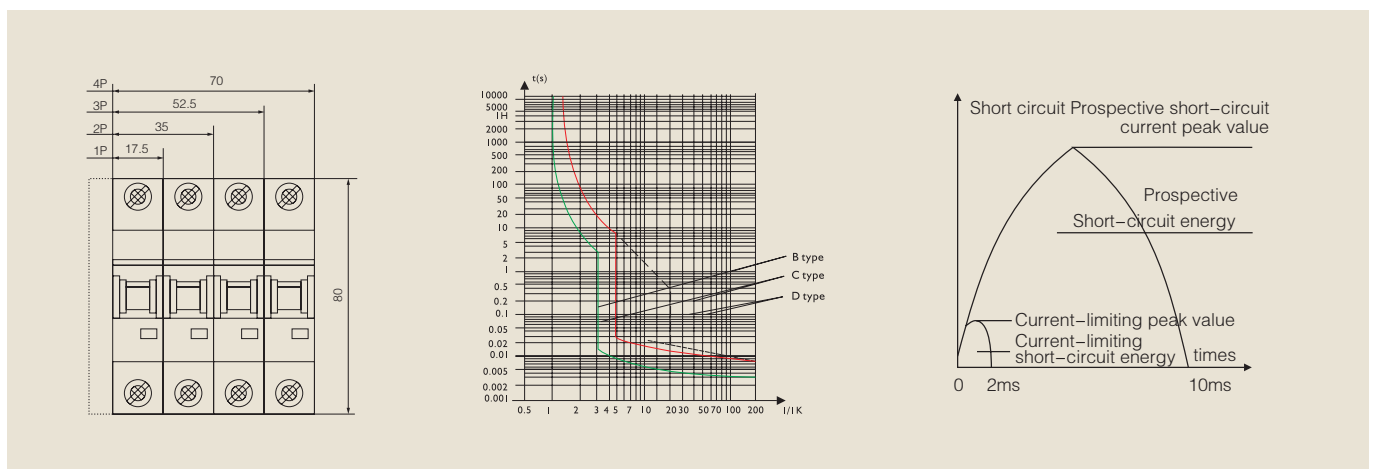
*Applies to all SL7 products

Specifications

| | |
|------------------------------------|---|
| Standard | EN60898(IEC60898);IEC60947-2 |
| Rated current | 1-63A |
| Rated Breaking capacity | 6,10kA IEC60898(0.5~63A) 6 , 10,15kA IEC60947-2(0.5~63A) |
| Characteristic curve | B,C,D |
| Max. fuse that can be connected to | 100AgL(> 10kA) |
| Selective grade | 3 |
| Working ambient temperature | -5°C ~ +40°C |
| Enclosed protective class | IP20 |
| Electrical life | Not less than 8000 times |
| Mechanical life | Not less than 20000 times |

● Complete accessories

Dimensions / Characteristics curves



Keyword:1-63A,1,1+N,2,3,3+N,4 Pole, IEC60947-2,SAA,CE,TUV,CB, Nemko, Triangle indicator window
SL7-63N MCB

Application

SL7-63N have protective function as shortage as overload, and are used in lighting distribution system in industry commerce and dwelling, and protect fractional electric motors. And they also have many merits of high protective grade(up to IP20), high breaking capacity, reliable sensitive action, convenient, multi pole assembling, long life ect. They are mainly adapted to the circuit of AC 50Hz, 250V in single pole, 415V in double, three, four poles for protecting overload and short circuit. Mean while, they are also used in turning on or off the electric apparatus and lighting circuit under the normal conditions.

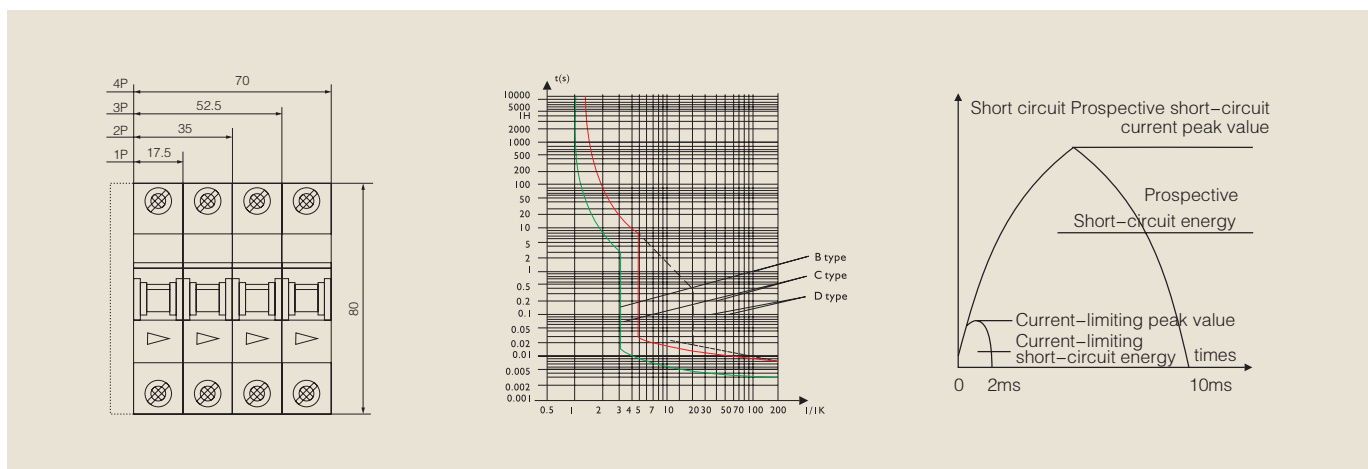


Specifications

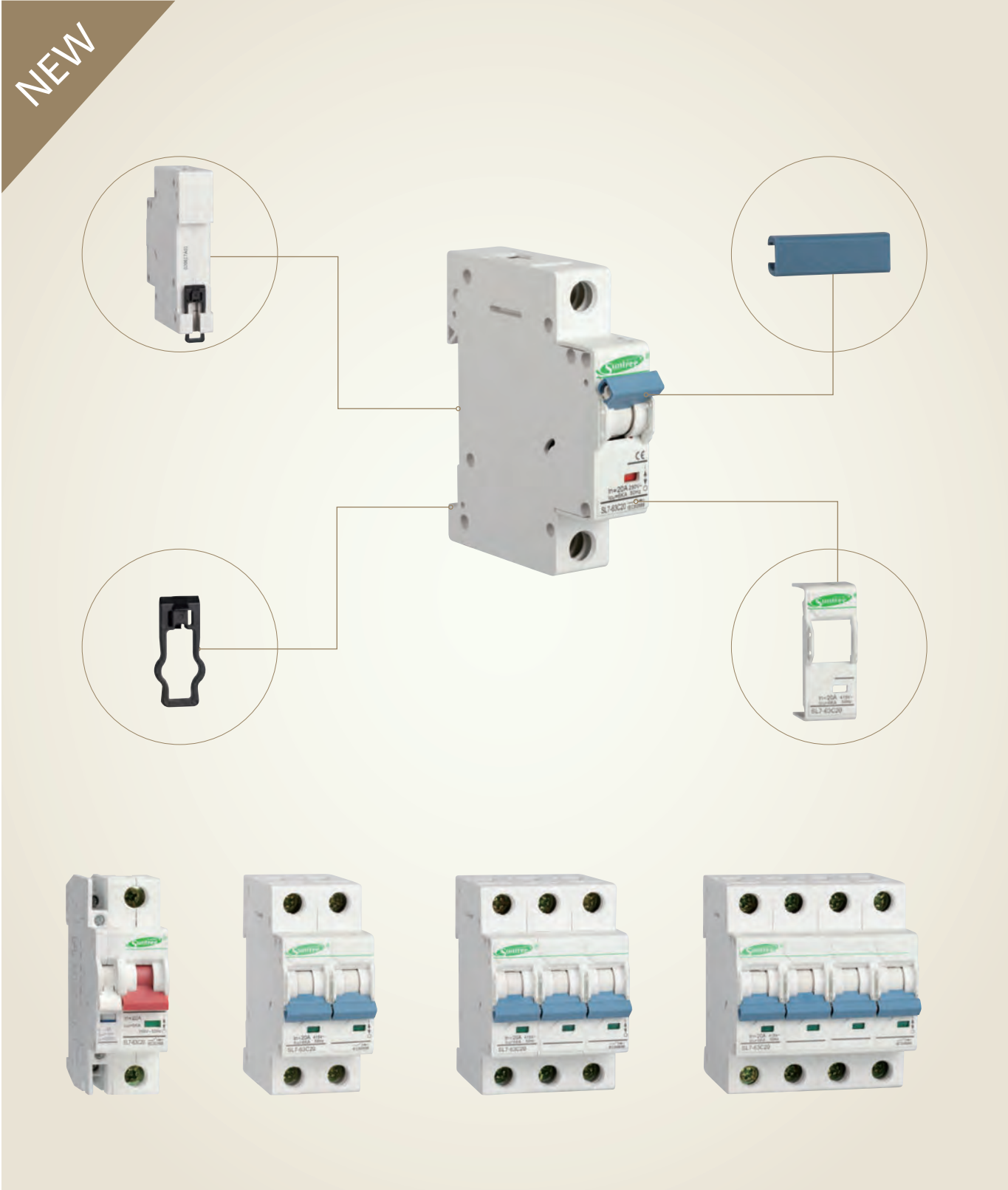
| | |
|------------------------------------|---|
| Standard | EN60898(IEC60898) IEC60947-2 |
| Rated current | 1-63A |
| Rated Breaking capacity | 6,10kA IEC60898(0.5~63A) 6,10,15kA IEC60947-2(0.5~63A) |
| Characteristic curve | B,C,D |
| Max. fuse that can be connected to | 100AgL(> 10kA) |
| Selective grade | 3 |
| Working ambient temperature | -5 °C ~ +40°C |
| Enclosed protective class | IP20 |
| Electrical life | Not less than 8000 times |
| Mechanical life | Not less than 20000 times |

● Complete accessories

Dimensions / Characteristics curves



Keyword:1-63A,1,1+N,2,3,3+N,4 Pole, Improved SL7-63, Indicator panel can be removed, with handle sets
SL7-63 MCB



Keyword:Max current:125A,1,1+N,2,3,3+N,4 Pole, Breaking Capacity: 7.5kA, Similar Admiralty Muller SL7-125 MCB

Application

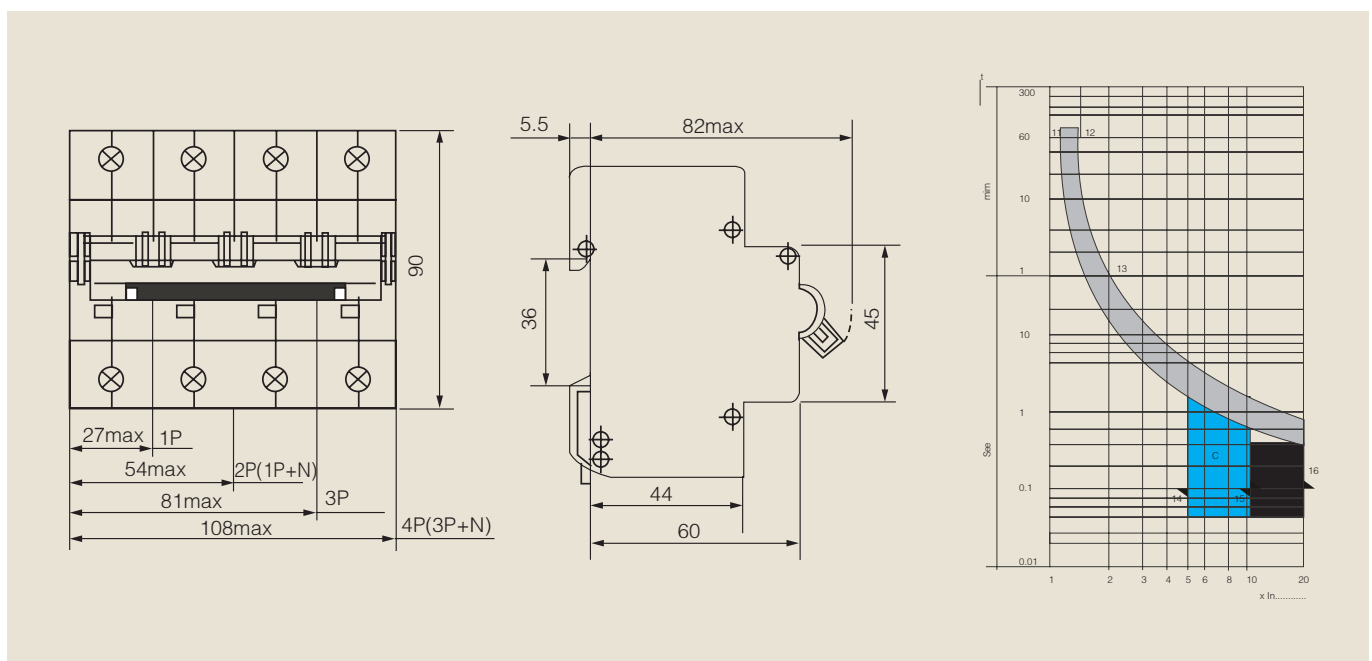
This circuit breaker is applied to protect the over-current of electrical apparatus and circuit device of construction and similar buildings in the circuit of AC 50Hz, rated voltage 230V/400V and rated current up to 125A. It can also applied for unfrequent making-breaking operation. It accords with IEC60898, GB10963 standard.



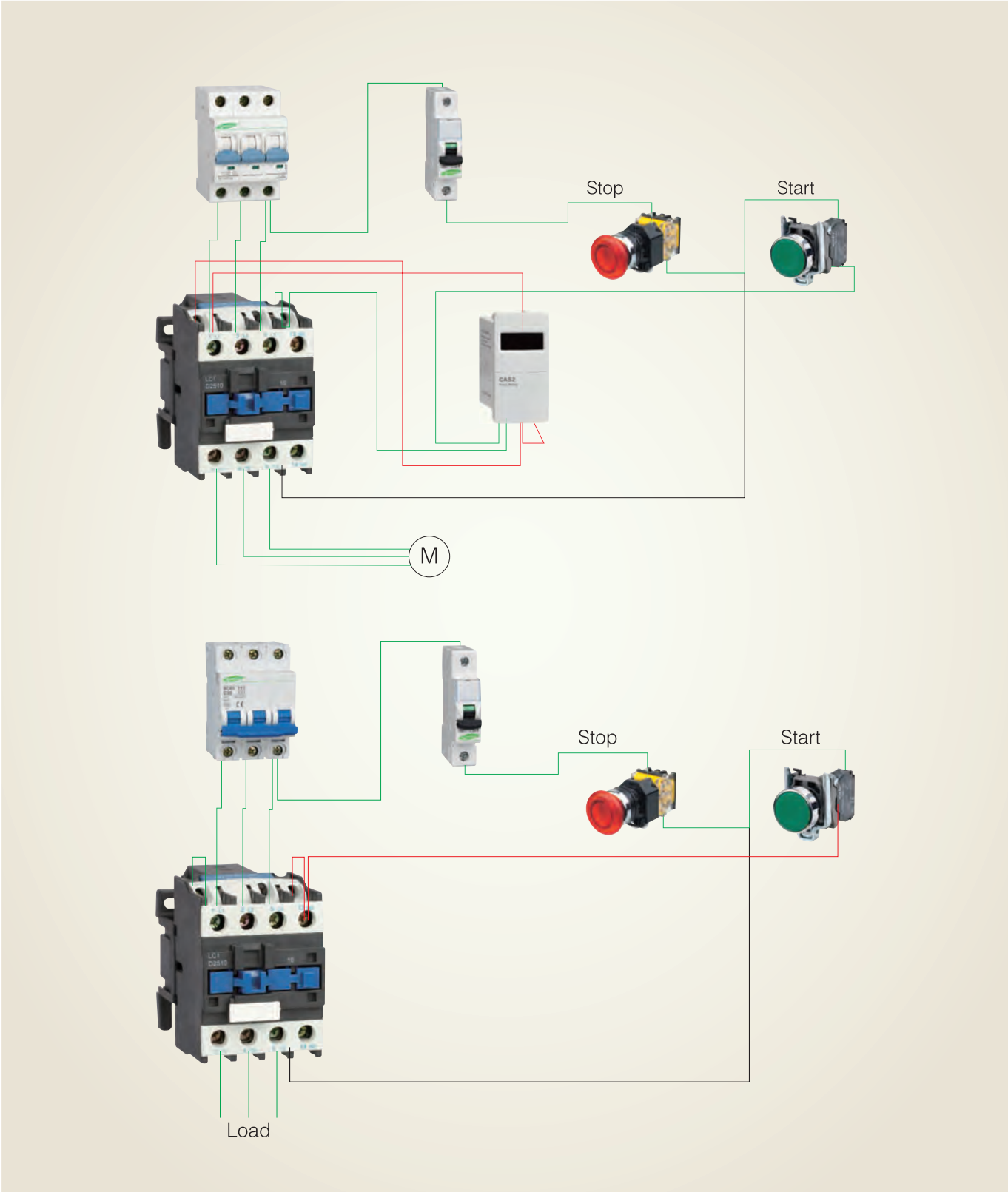
Specifications

| | |
|--|--|
| Frame size rated current I_{nm} | 125A |
| Rated voltage U_e | 50Hz, 230V/400V |
| Rated current I_n : | C type: 63A, 80A,100A,125A; D type: 63A,80A,100A |
| Rated breaking capacity | $I_{cs}=7500A, I_{cn}=15000A$ |
| Pole number | 1P,1P+N,2P,3P,3P+N,4P |
| Mechanical life | 8000 times |
| Electric life | 4000 times |
| Instantaneous release type and current range | C Type: use in lighting distribution, socket loop or parts of motivity distribution system. D Type: use in motivity or strong electromagnetic induction load loop, for example motor load etc, $10I_n \sim 20I_n$. |

Dimensions / Characteristics curves



Application examples



Keyword:1-63A,1,2,3,4 Pole, Consumer Unit Mount, Distribtuion Board Mount, Economic utility
 SC45 MCB

Application

SC45 series circuit breaker is used in lighting distribution system or motor distribution system for protecting overload and short-circuit in the system. The product is novel in structure, light in weight, reliable and excellent in performance. It has high breaking capacity, can trip quickly and Its installation uses with guide, Its case and items are adopted with high fire-resistant and shockproof plastics. The product, with long life, Is mainly used in AC 50/60Hz single-pole 230V or two, three, four-pole 400V circuit for overload and short-circuit protection as well as for unfrequented on-and-off switching electric equipment and lighting circuit in normal case. The product complies with EN/IEC60898.



MTS Series (manual Transform switch)



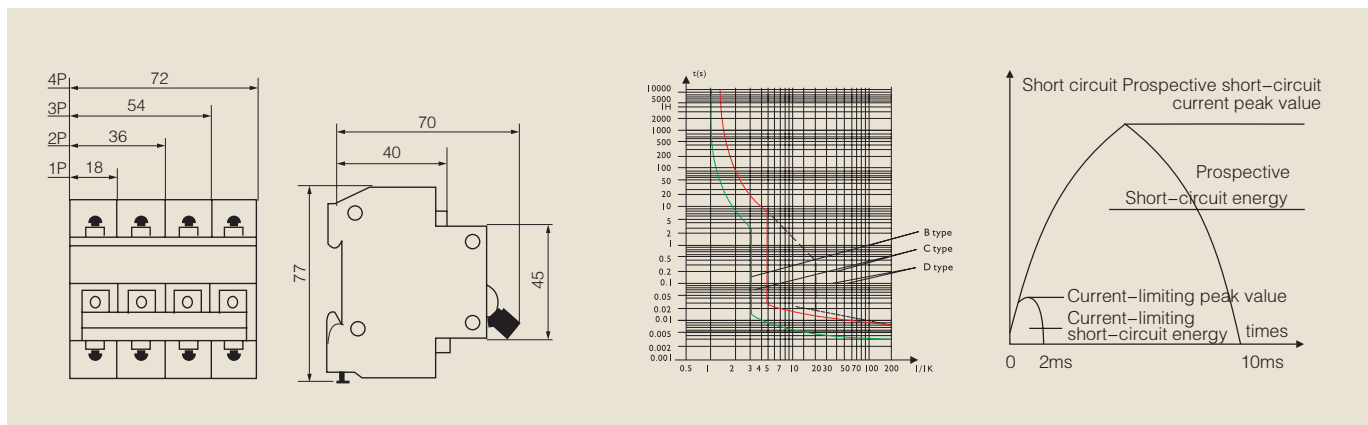
SC45 Series

Specifications

| Type | Rated current(A) | Pole NO. | Voltage(V) | Breaking capacity(A) |
|-----------|------------------------------|----------|------------|----------------------|
| B | 1,2,3,4,6,10,16,20,25,32,40A | 1 | 230/415 | 6000/4500 |
| | | 2,3,4 | 400 | |
| | 50,63A | 1 | 230/415 | 4500/3000 |
| | | 2,3,4 | 400 | |
| C | 1,2,3,4,6,10,16,20,25,32,40A | 1 | 230/415 | 6000/4500 |
| | | 2,3,4 | 400 | |
| | 50,63A | 1 | 230/415 | 4500/3000 |
| | | 2,3,4 | 400 | |
| D | 1,2,3,4,6,10,16,20,25,32,40A | 1 | 230/415 | 4500/3000 |
| | | 2,3,4 | 400 | |
| Weight(g) | 1P | 2P | 3P | 4P |
| | 102 | 208 | 308 | 408 |

● Complete accessories

Dimensions / Characteristic curve



Keyword: 1-63A, 1,2,3,4 Pole, Orange handle, Distribuion Board Mount, Arch design
 SC48 MCB

Application

SC48 series circuit breaker is used in lighting distribution system or motor distribution system for protecting overload and short-circuit. The product is novel in structure, light in weight, reliable and excellent in performance. Is mainly used in AC 50Hz/60Hz single-pole 240V or two, three, four-pole 415V circuit for overload and short-circuit protection as well as for unfrequented on-and-off swit-ching electric equipment and lighting circuit in normal case. The product complies with EN/IEC60898.

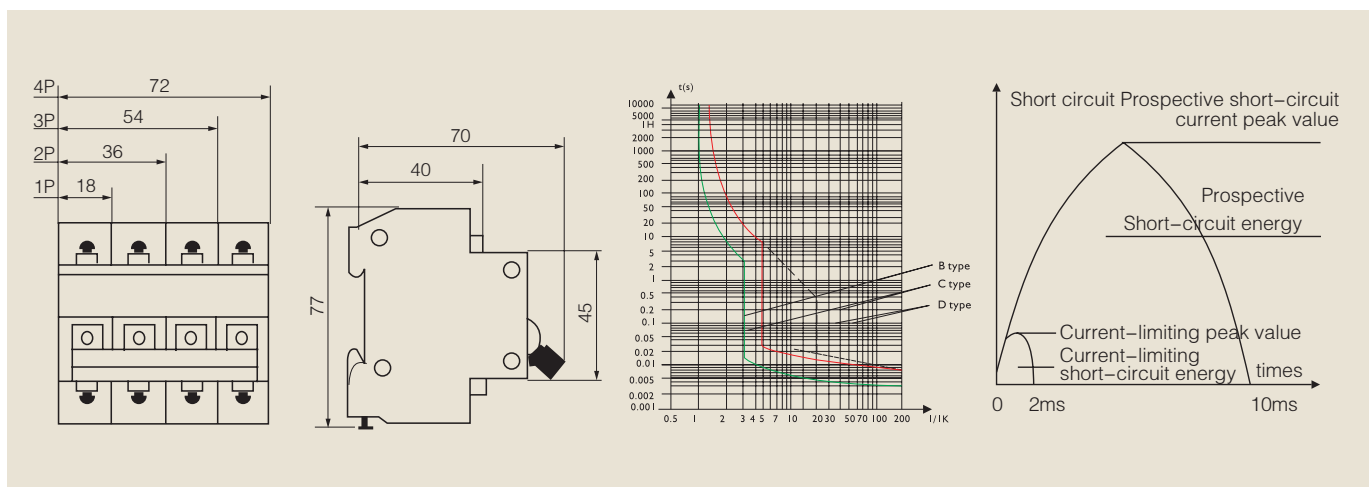


Specifications

| | | | | |
|-----------------------|---------------------------------------|-----|-----|-----|
| Pole NO. | 1,2,3,4P | | | |
| Breaking capacity(kA) | 4.5,6kA | | | |
| Rated temperature | 40°C | | | |
| Rated voltage | 240V/415V AC | | | |
| Rated current | 1,2,3,4,6,10,15,16,20,25,32,40,50,63A | | | |
| Electrical life | 6000 times | | | |
| Mechanical life | 20000 times | | | |
| Weight(g) | 1P | 2P | 3P | 4P |
| | 102 | 208 | 308 | 408 |

● Complete accessories

Dimensions / Characteristic curve



Keyword:1-63A,1,2,3,4 Pole, Commonly used products of the southeast Asian market

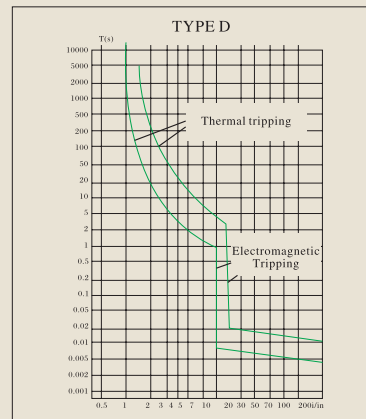
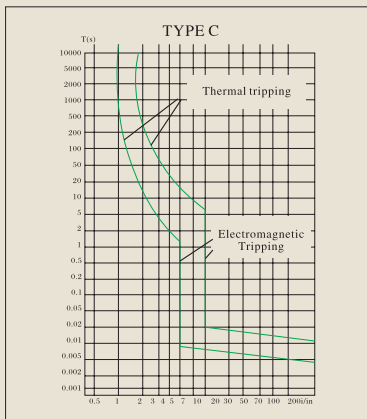
SCB2 MCB

Specifications

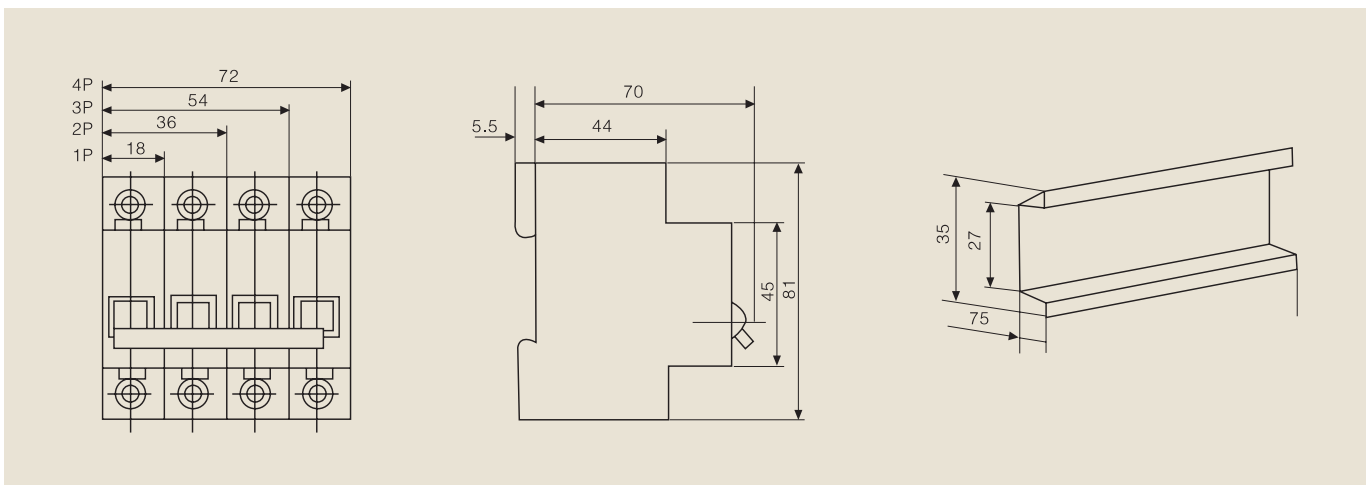
| | |
|-------------------------|----------------------------------|
| Poles | 1P,2P,3P,4P |
| Rated Voltage(V) | 230V/400V |
| Rated current(A) | 1,3,5,6,10,16,20,25,32,40,50,63A |
| Characteristic Curve | IEC60898 |
| Rated Breaking Capacity | 3kA,4.5kA,6kA |
| Electrical life | > 6000 times |
| Mechanical life | 20000 times |
| Tropicalizes | Treatment 2(RH95%,at55℃) |



Characteristic curve



Outline and installation dimensions



Keyword:6-63A, 1,2,3,4 Pole, Russian market selling, Similar IEK, EKF, Arch design

SMC MCB

Application

Miniature Circuit Breakers (MCB) which can be used in Low Voltage electrical installations to protect conductors, switchgear, and electrical equipment in general against overloads and short circuits.

Function

- All the machines meet the standards of IEC and GB.
- They can be installed in the track of 35mm of IEC.
- They have the function of high current limit.
- Protective grade :IP20.



SMC1

SMC2

Specifications

| | |
|----------------------------------|---------------------|
| Rated voltage Un | 230/400V |
| Rated In | 6-63A |
| Rated frequency | 50Hz |
| Rated breaking capacity | 4.5,6kA |
| Energy limiting class | 3 |
| Tripping characteristic | B,C,D |
| Cross-section of connecting lead | 1-25mm ² |
| Isolating class | B |
| Mounting on the rail | EN60715(EN 50022) |
| Build-in width | 18mm/pole |
| Standards | IEC 60898,EN 60898 |
| Certificates | CE,CB,SEMKO,RoHS |

Tripping characteristics

| Characteristics | Test Current | Tripping time | Result | Curve |
|-----------------|--------------|---|-------------|-------|
| B,C,D | 1.13In | t ≤ 1h(In ≤ 63A) t ≤ 2h(In > 63A) | NO tripping | |
| B,C,D | 1.45In | t < 1h(In ≤ 63A) t ≤ < 2h(In > 63A) | Tripping | |
| B,C,D | 2.55In | 1s < t < 60s(In ≤ 32A) 1s < t < 120s(In > 32A) | Tripping | |
| B | 3In | t ≤ 0.1s | No tripping | |
| C | 5In | | | |
| D | 10In | | | |
| B | 5In | t < 0.1s | Tripping | |
| C | 10In | | | |
| D | 20In | | | |

Keyword: Max current: 125A, 1,2,3,4 Pole, Breaking capacity:4.5,6,10kA

SNC-125H MCB

Application

SNC-125H high breaking capacity circuit breaker is used for AC 50/60Hz, single-pole 230V or two, three, four-pole 415V circuit for protecting the circuit that overload and short circuit may take place. It can be used in lighting and electric motor distribution system. Mean while it is applicable to an unfrequented switch over the electric apparatus and lighting circuit under normal condition. Breaking capacity is up to standard of IEC60947-2.

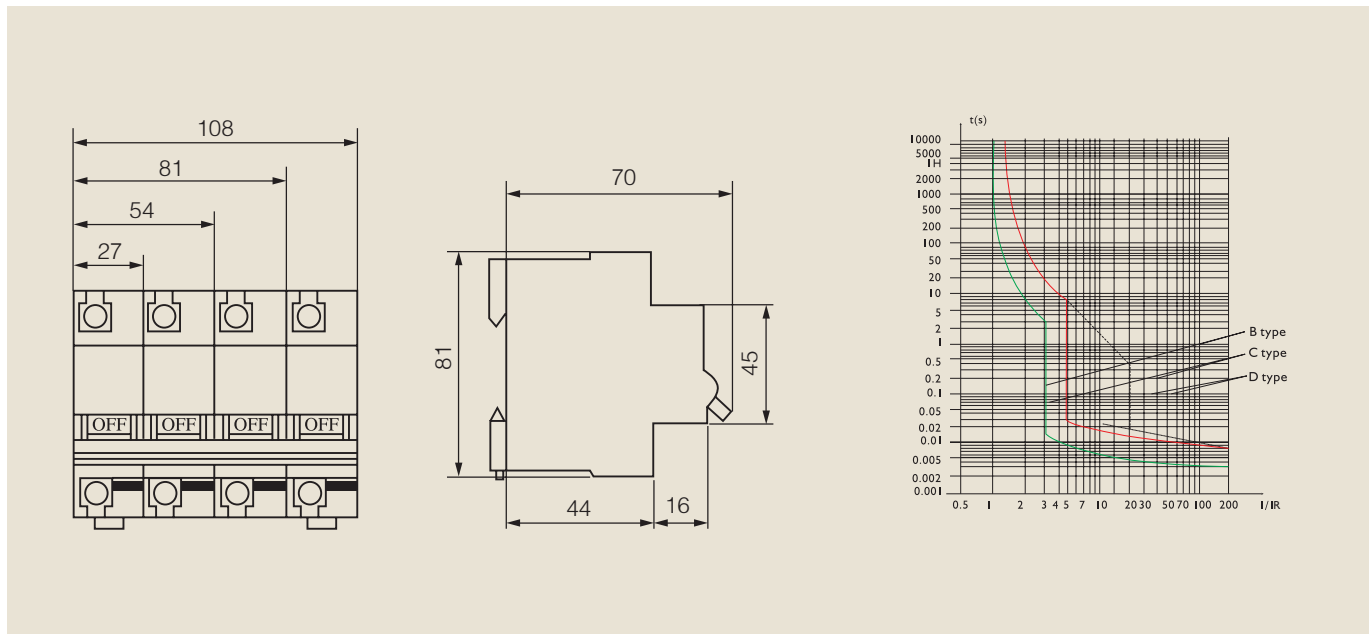


Specifications

| | | | | |
|-----------------|-------------------------|-----|-----|-----|
| Rated current | 32,40,50,63,80,100,125A | | | |
| Rated voltage | 230V/415V AC | | | |
| Electrical life | 6000 times | | | |
| Mechanical life | 20000 times(C.O.) | | | |
| NO. of Pole | 1P,2P,3P,4P | | | |
| Weight(g) | 1P | 2P | 3P | 4P |
| | 180 | 360 | 540 | 720 |

● Custom-made: 32A,40A,50A

Dimensions / Characteristic curve



Keyword:1-63A, 1,2,3,4 Pole, Similar Schneider, High breaking capacity.

SC65(SC60) MCB

Application

SC65(SC60) have protective function of shortage and overload, and are used in lighting distribution system in industry, commerce and dwelling, and protecting fractional electric motors And they also have many merits of high protective grade(up to IP20), high breaking capacity, reliable system isotone, convenient, multiple assembling, long life etc. They are mainly adapted to the circuit of AC 50Hz,230V in single pole, 415V in double, three, four poles for protecting over-load and short circuit. Mean while, they are also used in turning on off the electric apparatus and lighting circuit under the normal condition.

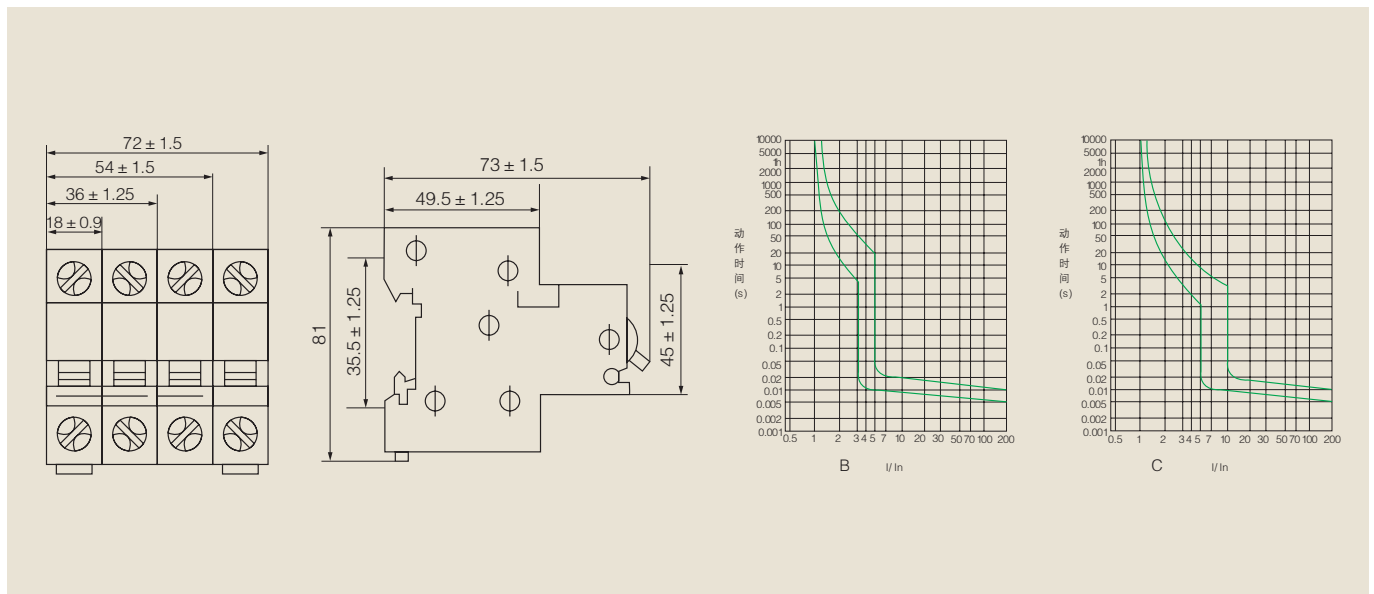


Specifications

| | |
|-------------------|----------------------------------|
| NO. of Pole | 1P,2P,3P,4P |
| Rated voltage | 230V/415V |
| Mechanical life | 4000 times |
| Electrical life | 10000 times |
| Rated current | 1,2,3,6,10,16,20,25,32,40,50,63A |
| Protective grade | IP20 |
| Breaking capacity | 4.5,6,10kA |

● Complete accessories

Dimensions / Characteristic curve



Keyword:1-63A, 1,1+N,2,3,3+N,4 Pole, Similar Schneider, High breaking capacity, New type SIC60(SIK60N) MCB

Application

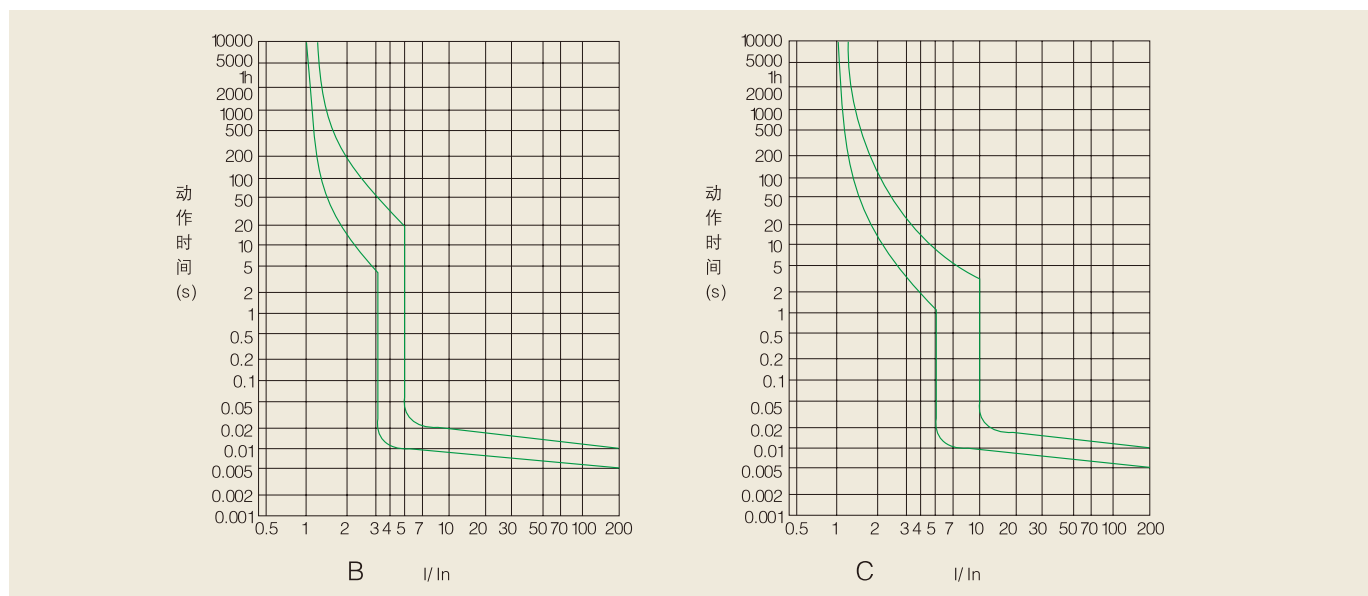
SIC60 MCB have protective function of shortage and overload, and are used in lighting distribution system in industry, commerce and dwelling, and protecting fractional electric motors And they also have many merits of high protective grade(up to IP20), high breaking capacity, reliable system isotone, convenient, multiple assembling, long life etc. They are mainly adapted to the circuit of AC 50Hz,230V in single pole, 415V in double, three, four poles for protecting over-load and short circuit. Mean while, they are also used in turning on off the electric apparatus and lighting circuit under the normal condition.



Specifications

| | |
|-------------------|----------------------------------|
| NO. of Pole | 1P,1P+N,2P,3P,3P+N,4P |
| Rated voltage | 230V/415V |
| Mechanical life | 4000 times |
| Electrical life | 10000 times |
| Rated current | 1,2,3,6,10,16,20,25,32,40,50,63A |
| Protective grade | IP20 |
| Breaking capacity | 6kA |

Characteristic curve



Miniature circuit breaker accessories

Muller Series



Schneider Series



Legrand Series



Miniature circuit breaker accessories

SC65(SC60) Series



OF



SD



MX+OF



MX

SC65(SC60) Series



MV+MN



MV



MQ



MN

SL7 Series



OF



SD



MX



Miniature circuit breaker accessories

SC45 Series



OF



SD



MX+OF



MX

SC45 Series



MN



MV



MQ



MV+MN

Switch-disconnectors



SH3-100



SH1-100



SB463



SBH-100

Keyword:6-63A, 1,2,3,4 Pole, Breaking Capacity: 6kA, Similar Mitsubishi
SBH-D6 MCB

Application

SBH-D6 products of domestic power distribution box have come out. The high-quality and high function circuit breaker used in domestic used in domestic power distribution box is looking for ward to your selection and application.



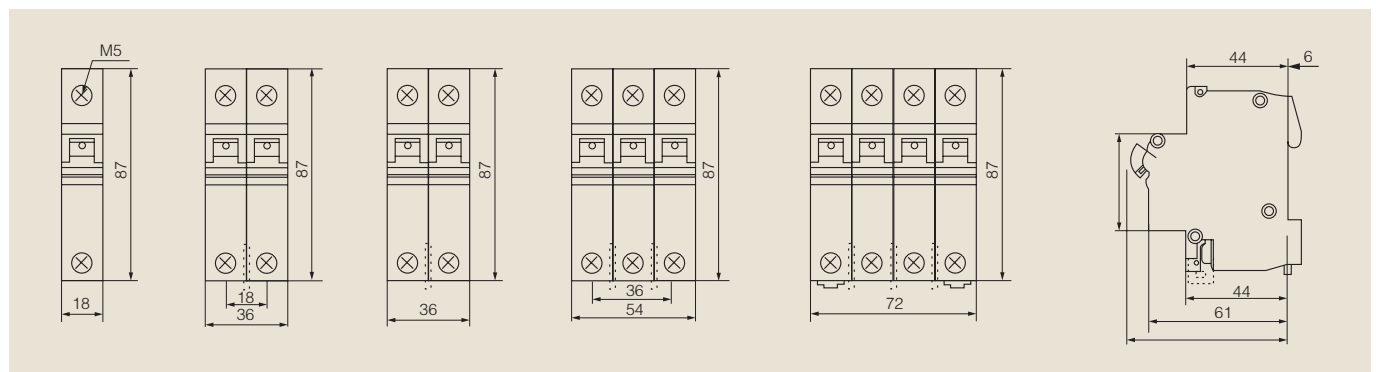
Function

- All the machines meet the standards of IEC and GB.
- They can be installed in the track of 35mm of IEC.
- They have the function of high current limit.
- Protective grade :IP20.

Specifications

| | |
|---|---|
| Standard | IEC60898 |
| Rated voltage | 230/415VAC, 50/60Hz |
| Rated current | 6,11,13,16,20,25,32,40,50,63A |
| Ambient temperature | -10°C ~40°C |
| Instal trip current | B,C,D |
| Rated short circuit interrupting capacity | 6kA |
| Rated running short circuit interrupting capacity | 10kA |
| Mechanical life | 8000 |
| Electrical life | 8000 |
| Fix | Track of 35mm of IEC |
| Terminal(the side of ON) | Non-weld tin terminal |
| Terminal(the side of OFF) | Non-weld tin terminal/terminal with mouth |
| Bus.t | 0.7-1.5mm |
| Applied wire | 1-25mm ² |
| Releasing method of overload | Thermal-coil magnetic |
| Accessories | Insulation board |

Dimensions



Keyword:6-63A, 1,2,3,4 Pole, Similar AEG, High breaking capacity, Orange handle
SE90 MCB

Application

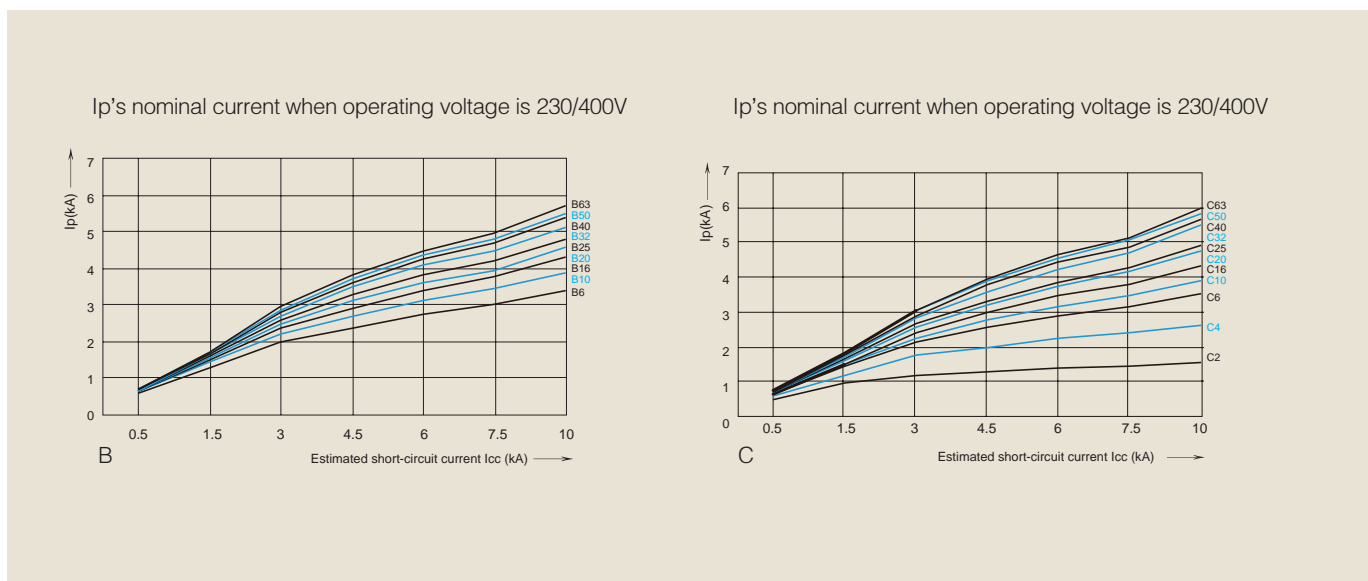
The mini circuit breaker belong to the advanced level of the nineties in the world. They are characteristic of small size. high sensitivity, long using life, and strong protective functions for shortage and overload. The products are the newest generation, and has features of high protective grade, high breaking capacity, good reliability of sensitive action and convenient use. It is generally used for illumination and distribution in industry, commerce and buildings.



Specifications

| | |
|---------------------------------------|------------------------------------|
| Rated current | 6, 10, 16, 20, 25, 32, 40, 50, 63A |
| Rated voltage AC Un | 230/415V |
| Min operating voltage UB min | 12 |
| Tripping characteristics | 3-5In(B) 5-10In(C) 10-20In(D) |
| Mechanical/electrical educate | 2000/10000 |
| Triplifications acc. to IEC 60898 | 95%RH at 55 |
| Terminal capacity flexible/rigid able | 25-35mm ² |
| Poles | 1,2,3,4 |
| Weight(g/pole) | 120 |

Characteristic curve



Keyword: 1-63A, 1,2,3,4 Pole, Consumer Unit Mount, Similar Legrand, Other improved products
SDX MCB

Application

SDX mini circuit breaker is mainly suitable for overload and short circuit protection. It is especially used for illumination and distribution in industry and commerce etc. It has pleasing outlook & high breaking capacity, reliable performance, high inflammable resistance and shock resistance for long service life. It is within the circuit of AC 50/60Hz, rated voltage of single pole up to 230V, two three or four poles up to 415V. It can also be used for an unfrequented change over of the circuit and illumination under normal conditions.



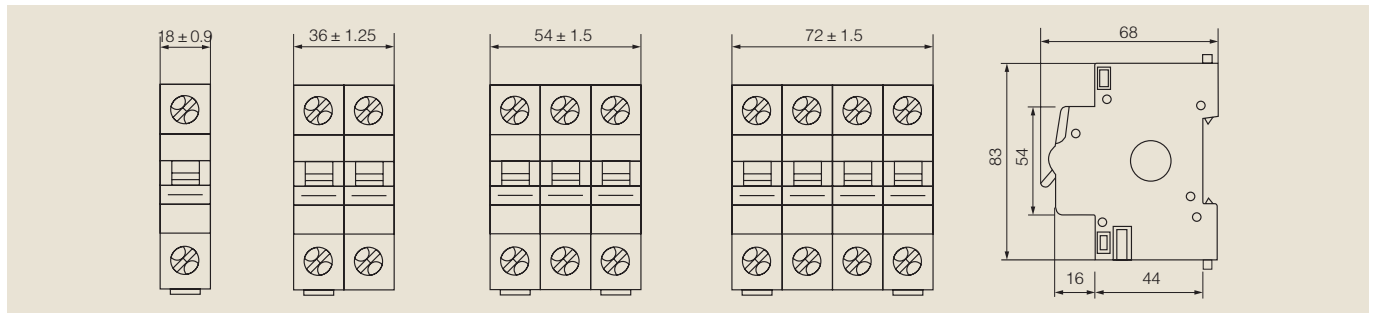
SDX1

SDX2

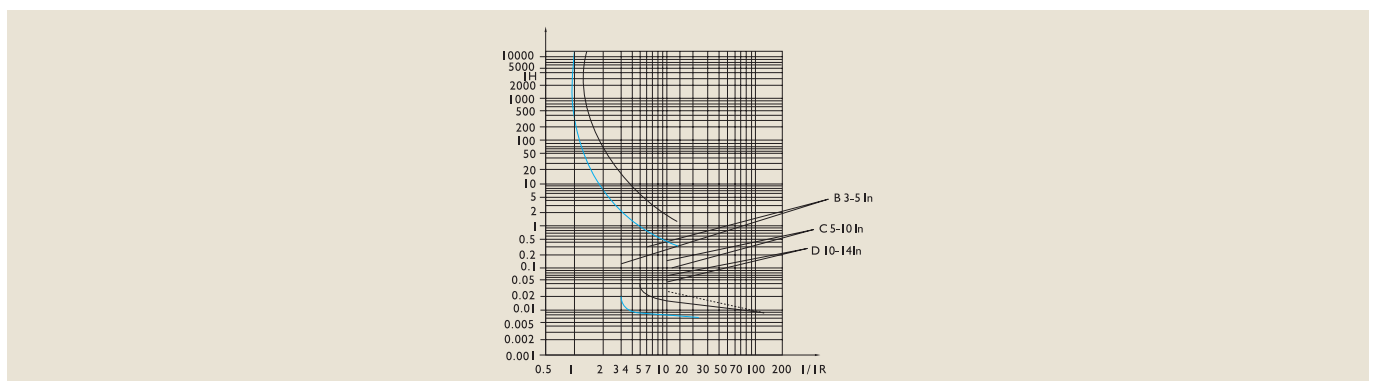
Specifications

| Rated current(A) | Pole NO. | Rated voltage(V) | Breaking capacity (kA) | Electrical life(times) | Mechanical life(times) |
|-----------------------------|----------|------------------|------------------------|------------------------|------------------------|
| 1,2,3,4,6,10,16,20,25,32,40 | 1 | 230 | 6000 | 8000 | 6000 |
| | 2,3,4 | 415 | 6000 | | |
| 50,63 | 1 | 230 | 6000 | 8000 | 6000 |
| | 2,3,4 | 415 | 6000 | | |

Dimensions



Characteristic curve



Keyword:2-63A, 1,2,3,4 Pole, Similar Siemens, other models can be customized

S5SJ6/S5SL6 MCB

Application

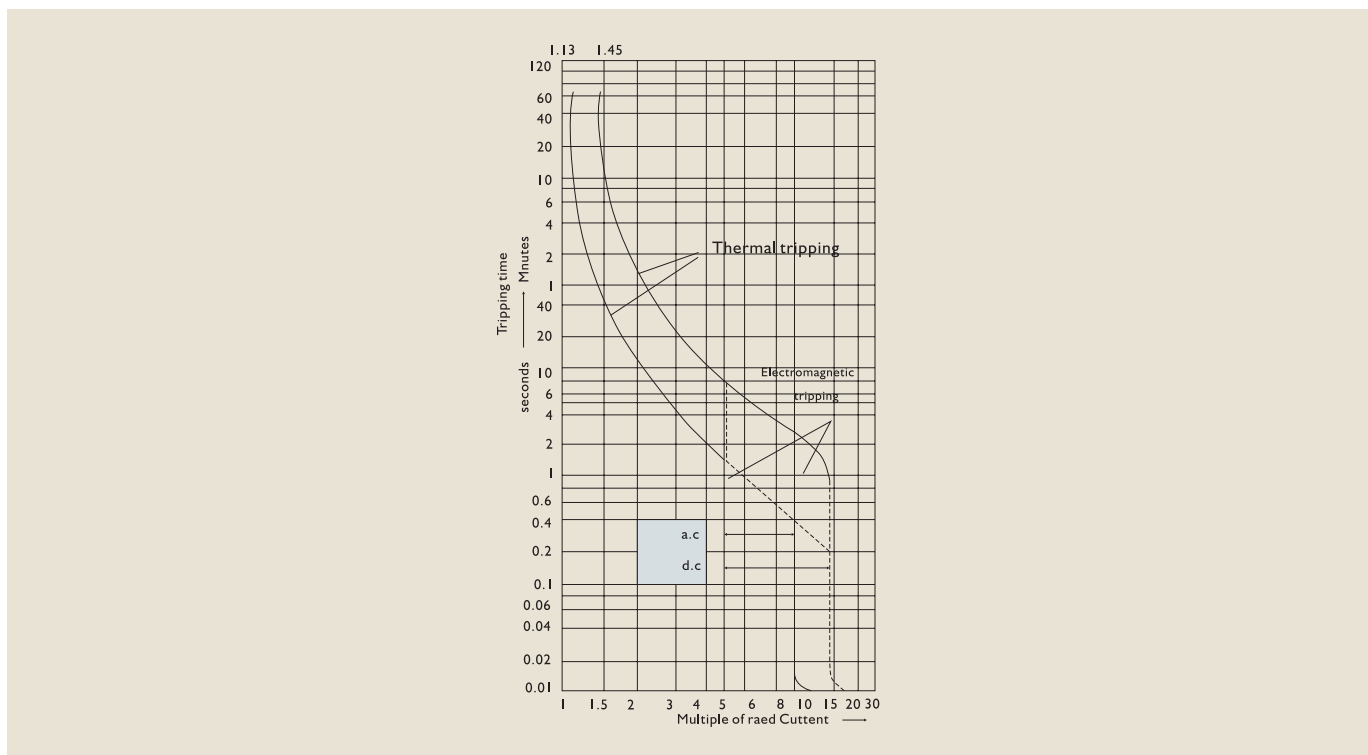
S5SJ6 series mini circuit breaker is mainly suitable for over-load and short circuit protection. It is especially used for illumination and distribution in industry and commerce. It is of pleasing out-look, light weight, reliable performance, high breaking capacity, etc. Its frame and parts adopt plastics of high inflammable resistance and shock resistance for long service life. It is mainly used for overload and short circuit protection within the circuit of AC 50/60Hz, rated voltage of single pole up to 240V, or two, three, four poles 415V, It can also be used for an unfrequented switch over of the circuit and illumination under normal conditions.



Specifications

| | |
|-------------------------|--------------------------------|
| Frequency | 50/60Hz |
| Rated voltage | 240/415V AC |
| Rated breaking capacity | 6000A |
| Rated frame current | 63A |
| Rated trip current | 2,4,6,10,16,20,25,32,40,50,63A |
| NO. of pole | 1P,2P,3P,4P |

Characteristic curve



Keyword: Max current:100A, 1, 1P+N,2, 3, 3P+N,4P, isolator type, India market selling products
 SIS-63 MCB

Construction and Features

State-of-the-art design.

Elegant appearance;cover and handle in arc shape for comfortable operation

Contact position indicating window.

Mid-trip function for circuit fault indicating

In case of overload and short-circuit to protected circuit, mcb knob trips and stays at mid position, which enables a quick solution to the faulty line. The knob cannot stay in such position when operated manually.

High short-circuit capacity

High short-circuit capacity 10kA for whole range thanks to the powerful electric arc extinguishing system.

Long electrical endurance, more than 4000 cycles thanks to quick making mechanism

Knob padlock device.

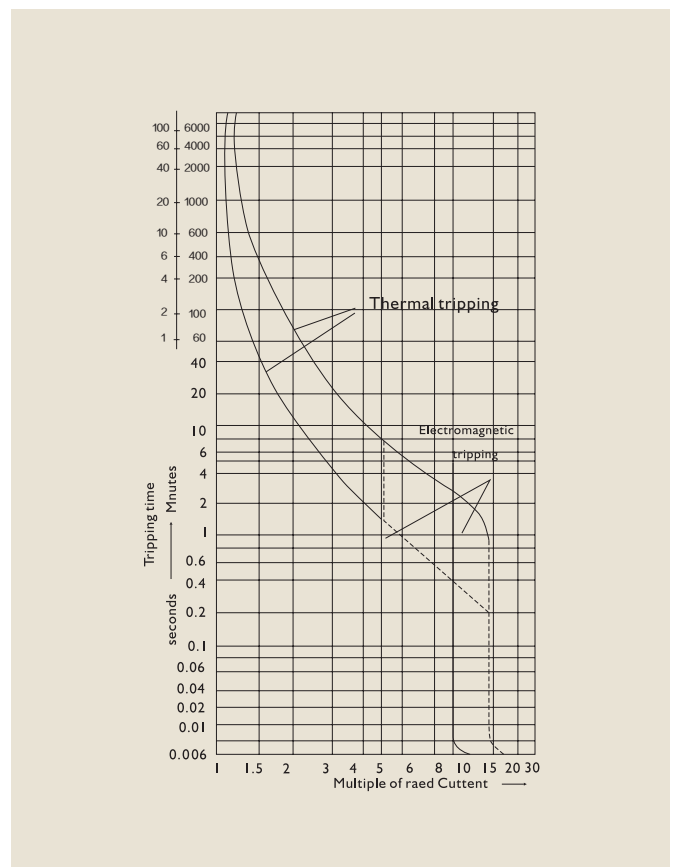
Mcb knob can be locked either at "on" position or at "off" position to prevent unwanted operation of the product.



Specifications

| | |
|---|---|
| Number of poles | 1, 1P+N,2, 3, 3P+N,4P |
| Rated voltage | AC 240/415V |
| Rated current(A) | 1,2,3,4,5,6,10,16,20,25,32,40,50,63 80,100 |
| Tripping curve | B,C,D |
| Rated short-circuit capacity(Icn) | 10000A |
| Rated service short-circuit braking capacity(Ics) | 7500A |
| Rated frequency | 50/60Hz |
| Energy limiting class | 3 |
| Rated impulse withstand voltage | 4kV |
| Electro-mechanism endurance | 4000 |
| Connection termina | Screw terminal |
| Connection capacity | rigid conductor up to 25 mm ² |
| Fastening torque | 2.0Nm |
| Installation | On symmetrical DIN rail 35mm |
| Manufacture standard | IEC60898-12003/IS8828:1996 |

Characteristic curve



Keyword:1-63A, 1,2,3,4 Pole, Similar ABB, Variety complete, S200,SH200,S230,S260

S250 MCB



S251



SH202

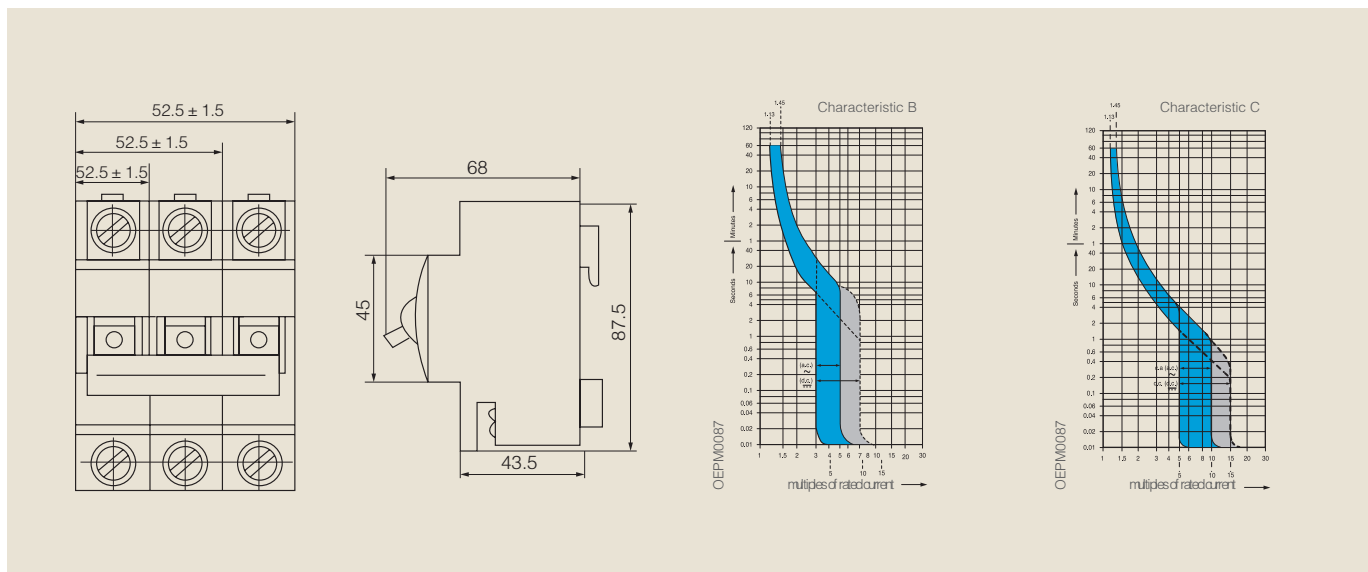


S253

Specifications

| Type | | S250S | S250H | S250S-DC |
|--------------------------|------------------|--------------------------------|---------------|------------|
| Standards | | IEC60898 | | IEC60898-2 |
| Pole | | 1, 2, 3, 4 | | 1, 2, 3, 4 |
| Tripping characteristics | | B, C, D | B, C | C |
| Tripping type | | Electro-Magnetic Type | | |
| Rated breaking capacity | I _{cu} | 6kA (1-40A) 4.5kA (50, 63A) | 6kA (50, 63A) | 10kA |
| Rated current | I _n | 1~63A | 50, 63A | 1~63A |
| Frequency | Hz | 50 - 60 | | - |
| Mechanical Life | no. of operation | 20,000 | | |
| | no. of operation | 10,000 | | |
| Protection degree | Terminals | IP20 | | |
| | Housing | IP40 | | |
| Operating temperature | °C | -25~+55 | | |
| Terminal size | mm ² | 0.75~25 | | |
| Tightening torque | Nm | 2 | | |

Dimensions / Characteristics curves



Keyword:4-63A, 1, 1P+N,2, 3, 3P+N,4P, Consumer Unit Mount, Similar Hawes

SHL MCB

Application

SHL products of domestic power distribution box have come out. The high-quality and high function circuit breaker used in domestic used in domestic power distribution box is looking for ward to your selection and application.



Specifications

| | |
|--|--|
| Number of poles | 1, 1P+N,2, 3, 3P+N,4P |
| Rated voltage | AC 240/415V |
| Rated current(A) | 4,5,6,10,16,20,25,32,40,50,63 |
| Tripping curve | B,C,D |
| Rated short-circuit capacity(I _{cn}) | 6000A |
| Rated service short-circuit braking capacity(I _{cs}) | 7500A |
| Rated frequency | 50/60Hz |
| Energy limiting class | 3 |
| Rated impulse withstand voltage | 4kV |
| Electro-mechanism endurance | 4000 |
| Connection termina | Screw terminal |
| Connection capacity | rigid conductor up to 25 mm ² |
| Fastening torque | 2.0Nm |
| Installation | On symmetrical DIN rail 35mm |
| Manufacture standard | IEC60898-12003/IS8828:1996 |

Characteristics curves

| As per | Thermal Tripping | | | Magnetic Tripping | | | Curve |
|--|---|-----------------------|--------|---------------------|---------------------|--------|-------|
| | No tripping | Tripping | Time | Hold | Hold | Time | |
| IS / IEC60898-1 | Current | Current | Limits | Current | Current | Limits | |
| | I ₁ | I ₂ | t | I ₄ | I ₅ | t | |
| B Curve | 1.13 x I _n | | >1h | 3 x I _n | | >0.1s | |
| | | 1.45 x I _n | <1h | | 5 x I _n | <0.1s | |
| C Curve | 1.13 x I _n | | >1h | 5 x I _n | | >0.1s | |
| | | 1.45 x I _n | <1h | | 10 x I _n | <0.1s | |
| D Curve | 1.13 x I _n | | >1h | 10 x I _n | | >0.1s | |
| | | 1.45 x I _n | <1h | | 20 x I _n | <0.1s | |
| I ₃ = 2.55 x I _N | 1s < t < 60s for I _n < 32 A | | | | | | |
| | 1s < t < 120s for I _n > 32 A | | | | | | |

Keyword:1-63A, 1,2,3Pole, Similar LS, also have BKP, BKN-B/C,BKH,BFN, BKM,LSN

SBKN MCB

Application

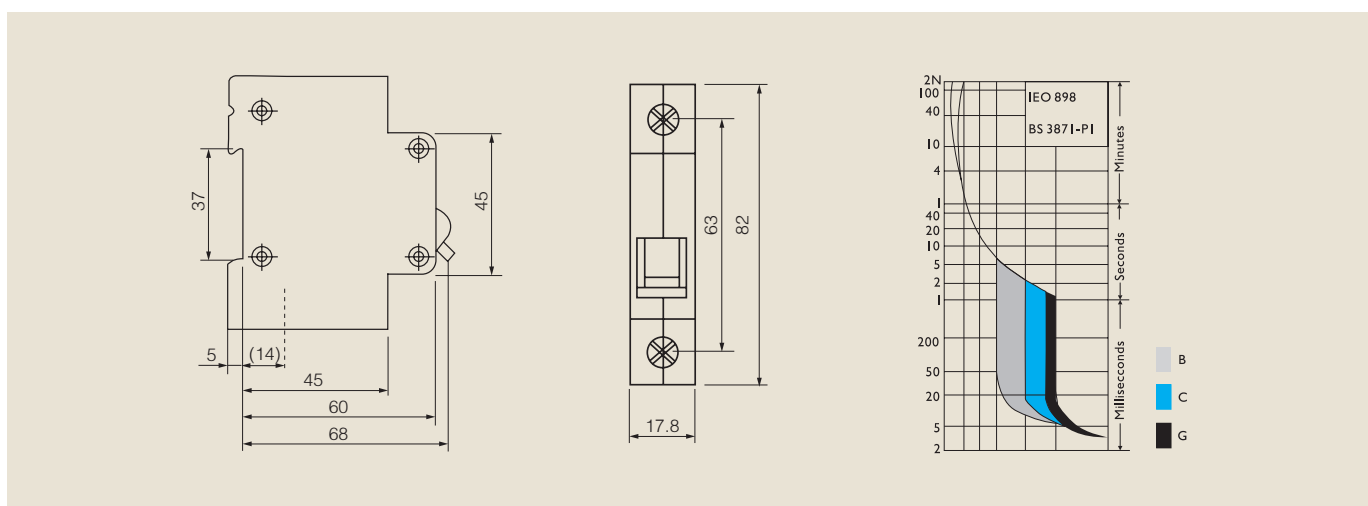
- The design on the base of the current limiting device increases the capability of circuit breaking, with a max. of 7.5kA(AC 230V standard). The super-miniature and light product leaves the installation are minimum.
- The over current protection of bimetallic sheet and the instantaneous and short circuit protection featuring solenoid trip produces a perfect protection to current fault.
- The assembly mode of DIN-Rail makes the installation easier.
- Delicate appearance of Europe-style
- Available to fit such accessories as auxiliary switch(AX)and alarm switch, etc.



Specifications

| Series | SBKN | | | | | | | | | |
|---------------------------------|-------------------------------|---|---|---|---|---|---|---|---|---|
| | B | | | C | | | | D | | |
| Type | | | | | | | | | | |
| Poles | 1 | 2 | 3 | 1 | 2 | 3 | 4 | 1 | 2 | 3 |
| Rated voltage | 230/415V | | | | | | | | | |
| Rated current | 1,3,6,10,16,20,25,32,40,50,63 | | | | | | | | | |
| Breaking capacity(kA) | 6 | | | 6 | | | | 6 | | |
| Tripping device | Thermal-coil magnetic | | | | | | | | | |
| Auxiliary switch & alarm switch | | | | | | | | | | |
| Rated operational current | 230V 3.5A | | | | | | | | | |
| (AC11)duty | 415V 2A | | | | | | | | | |
| Mechanical lifespan | 2000 operations | | | | | | | | | |
| Terminal capacity | 0.75, 2.5mm | | | | | | | | | |
| Weight | 0.04kg/EA | | | | | | | | | |

Dimensions / Characteristic curve



Keyword:6-63A, 1P,1P+N,2P,3P,3P+N,4P, New type for LS company, Custom-made othe model
LSN MCB

Application

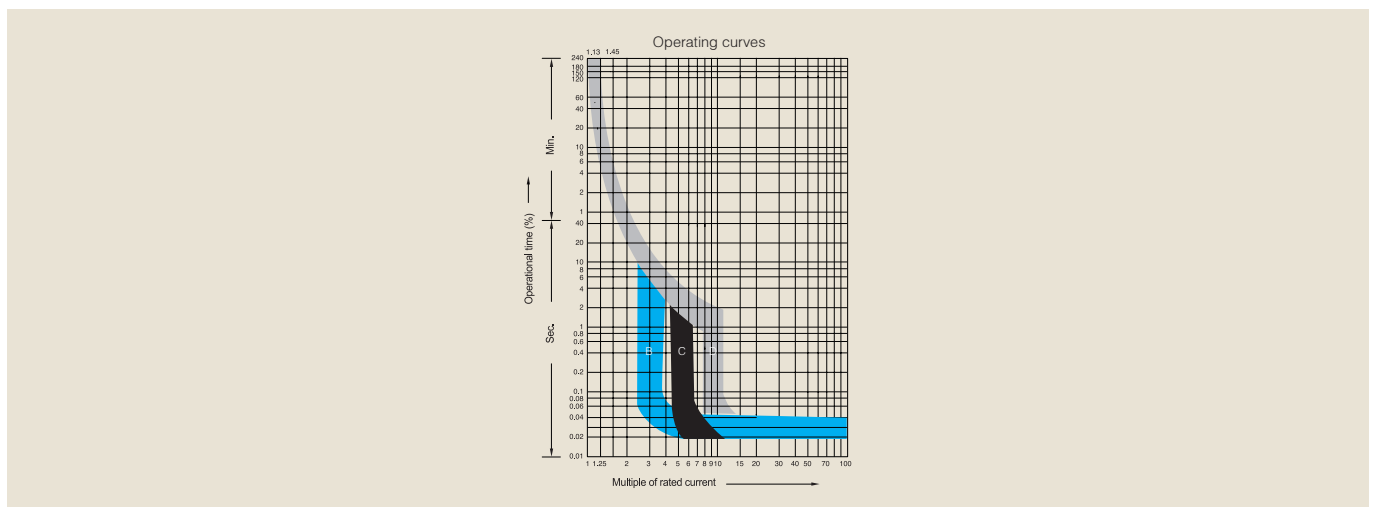
LSN mini circuit breaker is widely used in building, commercial and industrial installations up to 63A 230/400V a.c .and 220/440V d.c., mainly for cable and conductor overload and short-circuit protection, It can also be used as current-limiting circuit breader and optical position indicator which indicates ON/OFF position. The tripping characteristics cover B,C,D according to EN 60898,Rated short-circuit breadking capacity up to 10kA.The color of control levers is in accordance with the colors offuses with screw base. This product has wide range of accessories available, in cluding auxiliary and relative switches, undervo ltage releases and shunt trips, busbars, labels etc, It is possible to be interconnected with switch-discnnectors and with residual current circuit breakers by means of busbars. It is possible to be locked and sealed in OFF or ON position.



Specifications

| | | | |
|--|-------------------|-----------------------|-----|
| Type | | LSN | |
| Standards | | EN/IEC60898 | |
| Number of poles | | 1P,1P+N,2P,3P,3P+N,4P | |
| Tripping characteristics | | B,C,D | |
| Rated current | I_n | 6-63A | |
| Rated operating voltage | U_e | 230/440V A.C/48V D.C | |
| Max.operating voltage | U_{max} | 253/440V A.C/52V D.C | |
| Rated frequency | f_n | 50/60Hz | |
| Rated short-circuit breaking capacity(EN60898) | for $I_n=6A-32A$ | I_{cn} | 8kA |
| | for $I_n=40A-60A$ | I_{cn} | 6kA |

Characteristics curves



Keyword:1-63A, 1,2,3,4 Pole Similar Hager, Breaking Capacity: 4.5,6,10kA, variety complete
 SMY、SMT、SMU、SMW MCB

Application

SMY、SMT、SMU、SMW mini circuit breaker is mainly suitable for overload and short circuit protection. It is especially used for illumination and distribution in industry and commerce. It is of pleasing outlook & high breaking capacity etc. Its frame and parts adopt plastics of light weight, reliable performance, high inflammable resistance and shock resistance for long service life. It is mainly used for overload and short circuit protection within the circuit of AC 50/60Hz, rated voltage of single pole up to 230V. Two,three or four pole up to 400V. It can also be used for an unfrequented switch over of the circuit and illumination under normal conditions.

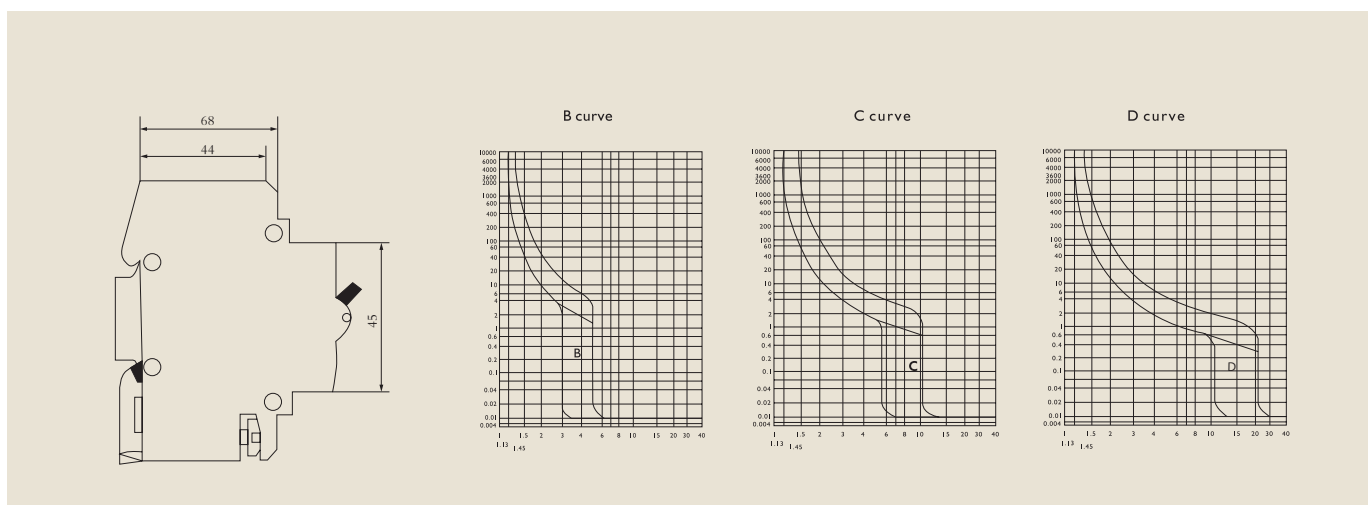


Transparent shell

Specifications

| Type | SMY | SMT | SMU | SMW |
|-------------------|---|--------|--------|--------|
| Rated current | 6-40A | 6-63A | 2-63A | 1-63A |
| Tripping curve | | | | |
| B:3-5In | | | | |
| C:5-10In | B、C、D | B、C、D | B、C、D | B、C、D |
| D:10-20In | | | | |
| Breaking capacity | | | | |
| EN60 898 | 4.5kA | 4.5kA | 6kA | 6kA |
| IEC 947-2 | 6kA | 6kA | 10kA | 10kA |
| NEMA AB-1 | 10kA/C | 22kA/C | 22kA/C | 22kA/C |
| Rated voltage | 230/400V | | | |
| Isolating voltage | 500V | | | |
| Electrical life | 0.5 to 32A 20000 times, 40 to 63A 10000 times | | | |

Dimensions / Characteristic curve(IEC60898)



Keyword:2~32A, Custom-made for 32A, color: white and Black, Plug-in installation

S101 MCB

Application

The circuit breaker are suitable for AC and DC 32A electric circuits of 50Hz, up to 380V and up to DC 250V respectively, for protection of electrical circuits and apparatus in office and residence building, and for protection of circuit terminals against overload and short circuit. The item is a durable protection that substitutes the traditional fuse element and can be used in each fuse socket with E27 thread according to DIN 40440.



Installing

S101 breaker should be screwed into the fuse socket instead of fuse bed and cartridge fuse.

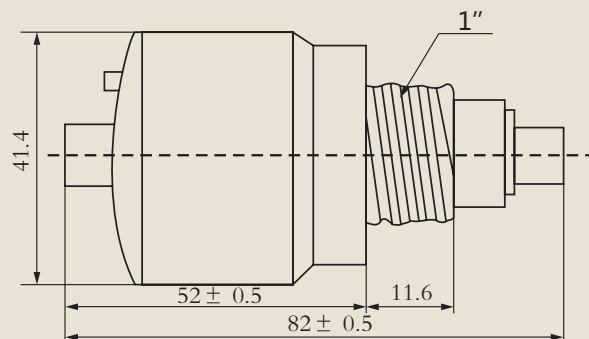
Instruction to use

The S101 breaker is on after the black push button has been pressed and is off when the red push-button is pressed. In case of emergency action of the S101 breaker, the failure should be found and eliminated. The black push-button is pressed again, then the breaker is ready for operation.

I type

| | | | |
|----------------------------|--|-------------|-------------|
| Rated current | | 2-25A | 32A |
| Pole NO. | | Single pole | Single pole |
| Rated voltage | | 250/380V | 250/380V |
| Rated short circuit making | Expected current in testing circuit(A) | 3000 | 3000 |
| | Power factor for testing circuit | 0.65-0.70 | 0.75-0.80 |

Dimensions



Keyword: 1-40A,1,2,3Pole, Consumer Unit Mount, Similar Siemens, Custom-made:K series
SW40 MCB

Application

SW40 seriec miniature circuit breaker has small size. light weight, novel structure and excellent performance. They are mounted in the illuminating distribution board and used in guest houses, block of flats, high buildings, squares, railway stations, plants and enterprises etc, in AC circuits 230V(single-pole), up to 415V(3-Pole)50Hz for protection of overload short circuit and for circuit changeover in lighting system. Breaking capacity is 3kA. It is in dictator can be used circuit indication in illumination and industry system.



Specifications

| | |
|-------------------|--------------------------|
| Rated current | 1,3,6,10,16,20,25,32,40A |
| Rated voltage | 230V/415V AC |
| Breaking capacity | 3000A |
| Mechanical life | 10000 times |

I type

| Tripping characteristic | Ratedtripping current(A) | Thermal trips | | | Magnetic trip | |
|-------------------------|--------------------------|--------------------------------|-----------------|------------------|-----------------|-----------------|
| | | Time of rated tripping current | | | | |
| L1-L32 | 1-32 | 1.13In | 1.45In | 2.55In | 3In | 5In |
| Starting state | | From cold state | From cold state | From cold state | From cold state | From cold state |
| Tripping time | | >1hr. | <1hr | 1sec ≤ t <60sec. | ≥ 0.1sec | <0.1sec |

G type

| Tripping characteristic | Ratedtripping current(A) | Thermal trips | | | Magnetic trip | |
|-------------------------|--------------------------|--------------------------------|-----------------|-----------------|-----------------|-----------------|
| | | Time of rated tripping current | | | | |
| G1-L32 | 1-32 | 1.13In | 1.45In | 2.55In | 3In | 5In |
| Starting state | | From cold state | From cold state | From cold state | From cold state | From cold state |
| Tripping time | | >1hr. | <1hr | 1sec ≤ t <60sec | ≥ 0.1sec | <0.1sec |

Keyword: Max current: 63A,1P+N,18mm, Consumer Unit Mount, Distribtuion Board Mount

SDPNa MCB

Application

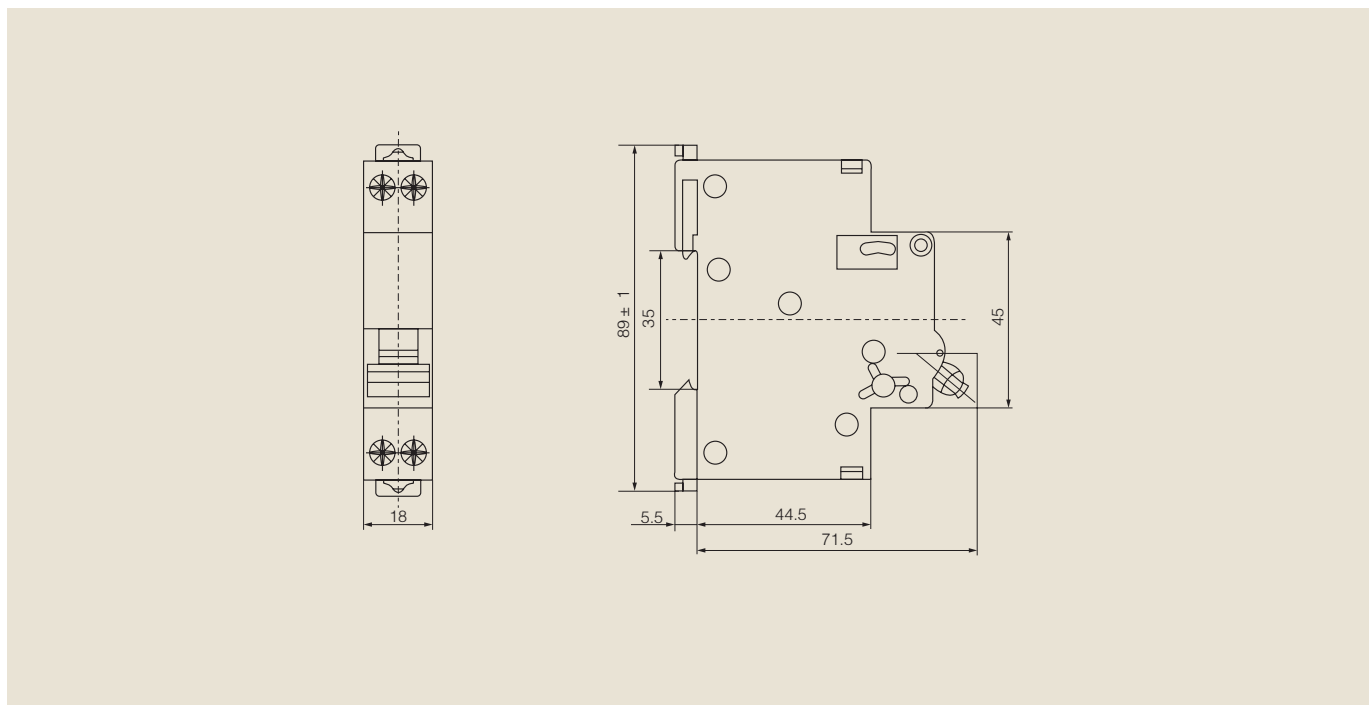
SDPNa mini circuit breaker applies to locations such as industrial,commercial,high rise and civil residence with AC230V and below for terminal distribution protection(overload and short circuit protection),can also be used to infrequent making and breaking operations. This breaker complier with standards of EN60989-1 and GB10963.1-2005,etc.



Specifications

| | |
|--|---------------------------------|
| Rated voltage | AC 230V |
| Rated frequency | 50Hz/60Hz |
| Rated current | 1,2,3,4,6,10,16,25,32,40,50,63A |
| Number of poles | 1P+N |
| Tripping characteristic | B、 C、 D |
| Rated ultimate short circuit breaking capacity Icu | 6000A |
| Rated service short circuit breaking capacity Ics | 6000A |
| Mechanical life | 20000 times |

Dimensions



Keyword:1-63A,1P+N, 18mm, Consumer Unit Mount, Distribtuion Board Mount

SDXN MCB

Application

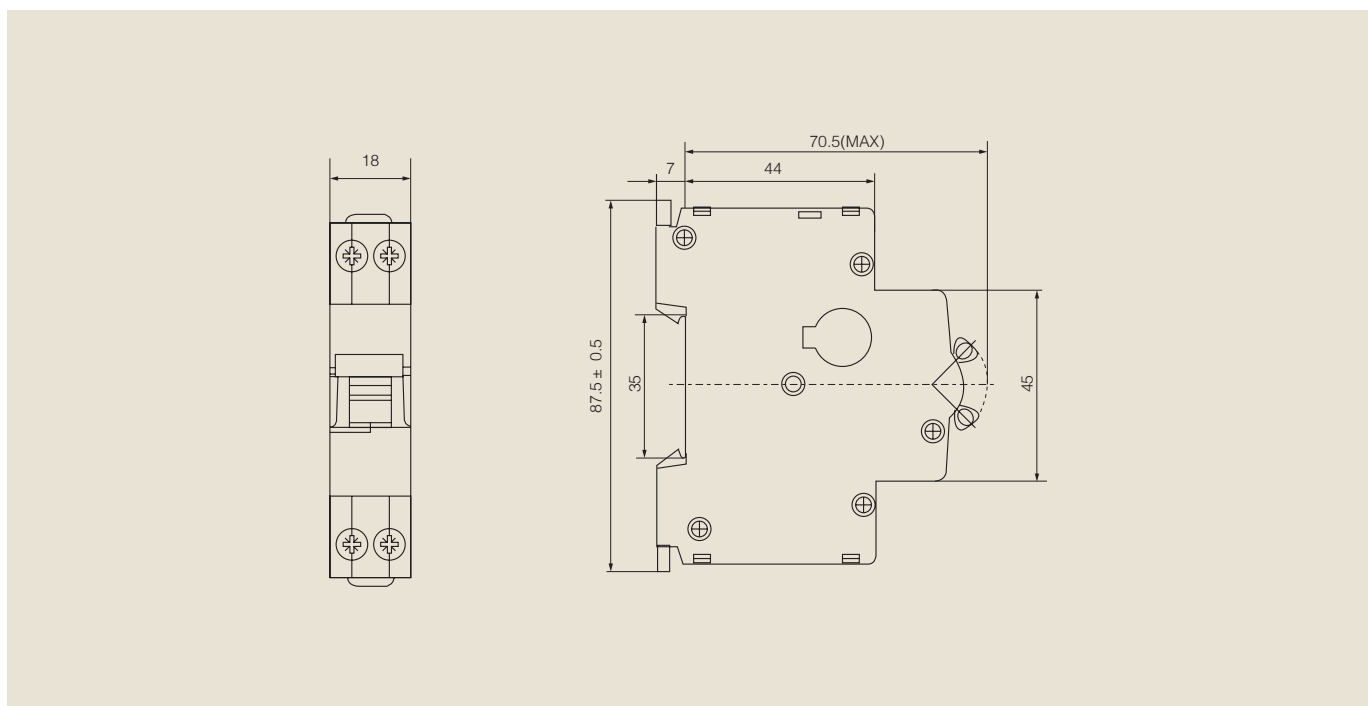
SDXN mini circuit breaker applies to locations such as industrial,commercial,high rise and civil residence with AC230V and below for terminal distribution protection(overload and short circuit protection),can also be used to infrequent making and breaking operations. This breaker complier with standards of EN60989-1 and GB10963.1-2005, etc.



Specifications

| | |
|--|---------------------------------|
| Rated voltage | AC 230V |
| Rated frequency | 50Hz/60Hz |
| Rated current | 1,2,3,4,6,10,16,25,32,40,50,63A |
| Number of poles | 1P+N |
| Tripping characteristic | B、 C、 D |
| Rated ultimate short circuit breaking capacity Icu | 6000A |
| Rated service short circuit breaking capacity Ics | 6000A |
| Mechanical life | 20000 times |

Dimensions



Keyword: 1-32A,1P+N,18mm, Consumer Unit Mount, Distribtuion Board Mount

SDZ30 MCB

Application

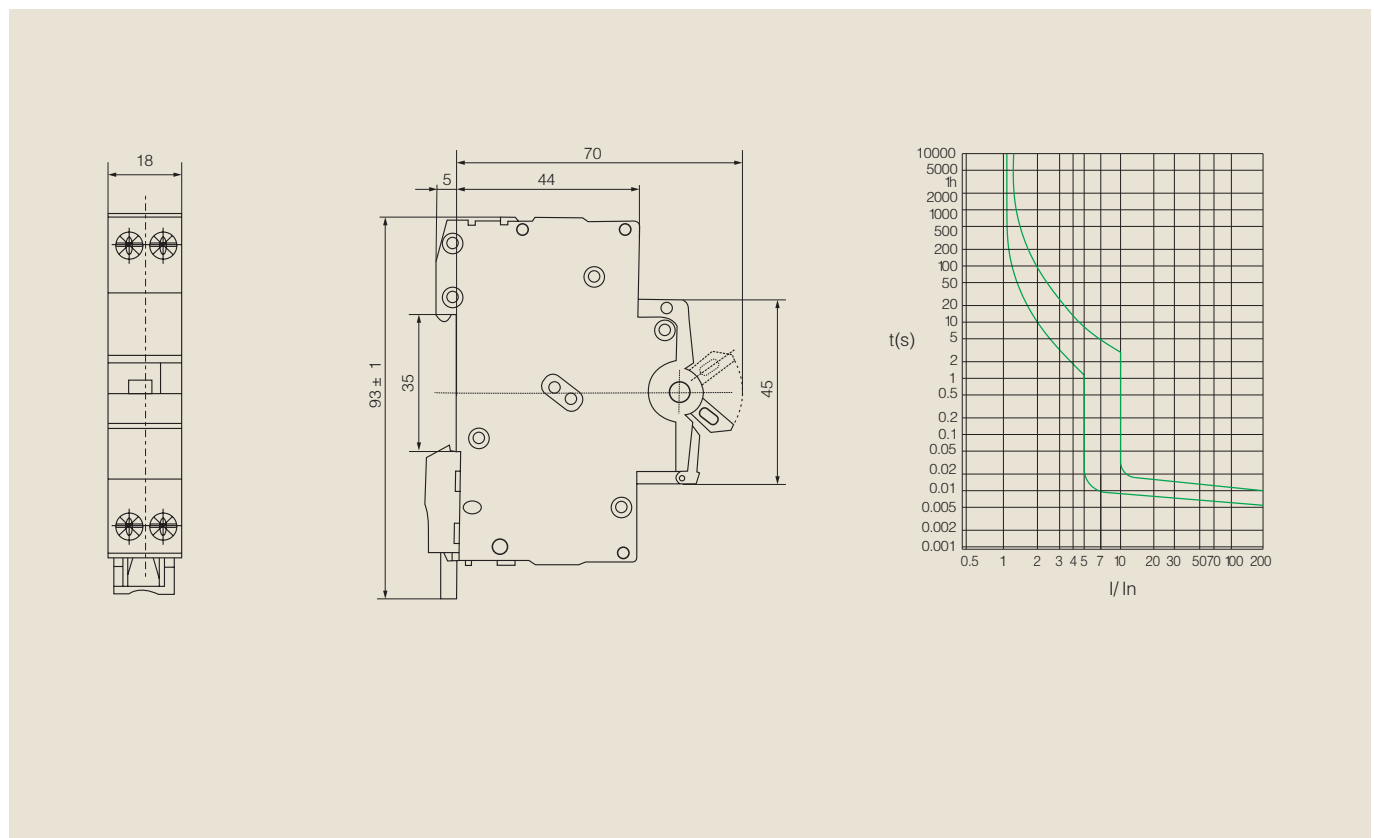
SDZ30 mini circuit breaker is mainly suitable for overload and short circuit protection. It is especially used for illumination and distribution in industry and capacity etc. It has pleasing outlook & high breaking capacity ,reliable performance,high inflammable resistance and shock resistance for long service life. It is within the circuit of AC 50/60Hz, rated voltage of single pole up to 240V, two,three or four poles up to 415V, It can also be used for an unfrequented, change over or the circuit and illumination under normal conditions.



Specifications

| Rated current | Pole | Rated voltage | Breaking capacity | Electrical life | Mechanical life |
|-------------------------------|------|---------------|-------------------|-----------------|-----------------|
| 1,2,3,4,6, 10,16,20,25,32A | 1p+N | 240V | 6000 | 8000 times | 10000 times |

Dimensions / Characteristic curve



Keyword: 32,63,80,100A, 1,2,3,4 Pole, Consumer Unit Mount, Distribtuion Board Mount
 SHL30 Switch-disconnectors

Main specification and technical parameter

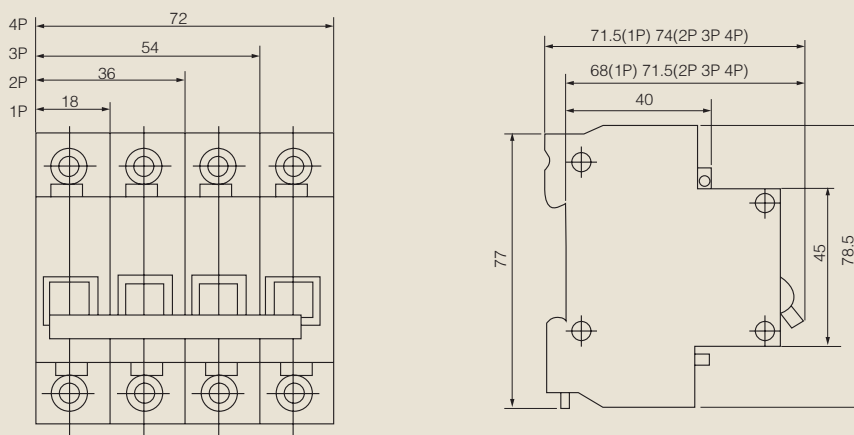
- No.of poles: 1-pole, 2-pole, 3-pole, 4-pole;
- This breaker is Plugin installation mode (can be installed on the installation rail).
- Power frequency withstand voltage: after being in condition fo hot and humidity performance,this breaker can bear 2500V power frequency withstand voltage test for 1 min and without any insulation flashover and breakdown phenomon.
- Mechanical and electric life: mechanical life is 2000 times, electric life is 6000 times.



Specifications

| Rated Voltage (V) | Rated current (A) | Rated breaking capacity | Rated short time with stand current (A) | Rated short circuit on off capability | Rated fuse short circuit current (kA) |
|-------------------|-------------------|---------------------------|---|---------------------------------------|---------------------------------------|
| 230/415V | 32,63,80,100 | 1.1mn, 3In COSΦ = 0.65 | 200t=1s | 30In, t ≥ 0.1S COSΦ = 0.5 | 20 |

Dimensions



S-MCB Series miniature circuit breaker

STHQL

Specifications

- Number of Poles: 1/2P, 1P, 2P, 3P, 4P
- Rated current(A): 6, 10, 15, 20, 25, 30, 40, 50, 60, 70, 80, 90, 100
- Rated voltage(V): 110/220(1P), 240/415(2P), 415(3P)
- Rated breaking capacity(A): 3000
- Electrical life: 6000
- Mechanical life: 20000



SD

Specifications

- Number of Poles: 1P, 2P, 3P
- Rated current(A): 6, 10, 15, 20, 25, 30, 40, 50, 60, 70, 80, 90, 100
- Rated voltage(V): 110/220(1P), 240/415(2P), 415(3P)
- Rated breaking capacity(A): 3000
- Electrical life: 6000
- Mechanical life: 20000

STQL

Specifications

- Number of Poles: 1P, 2P, 3P, 4P
- Rated current(A): 6, 10, 15, 20, 25, 30, 40, 50, 60, 70, 80, 90, 100
- Rated voltage(V): 110/220(1P), 240/415(2P), 415(3P)
- Rated breaking capacity(A): 3000
- Electrical life: 6000
- Mechanical life: 20000



S-MCB Series miniature circuit breaker

SBH

Specifications

- Number of Poles:1P,2P,3P
- Rated current(A):6,10,15,20,25,30,40,50,60,70,80,90,100
- Rated voltage(V):110/220(1P),240/415(2P),415(3P)
- Rated breaking capacity(A):3000
- Electrical life:6000
- Mechanical life:16000
- Dimensions:42 × 28 × 43.5
- Gross weight:22kg Net weight:21kg



SBH-P

Specifications

- Number of Poles:1P,2P,3P
- Rated current(A):6,10,15,20,25,30,40,50,60,70,80,90,100
- Rated voltage(V):110/220(1P),240/415(2P),415(3P)
- Rated breaking capacity(A):3000
- Electrical life:6000
- Mechanical life:16000
- Dimensions:34 × 28 × 44
- Gross weight:22kg Net weight:21kg

SNEN

Specifications

- Number of Poles:1P,2P,3P
- Rated current(A):6,10,15,20,25,30,40,50,60,70,80,90,100
- Rated voltage(V):110/220(1P),240/415(2P),415(3P)
- Rated breaking capacity(A):3000
- Electrical life:6000
- Mechanical life:16000
- Dimensions:41.5 × 32 × 33
- Gross weight:24kg Net weight:23kg





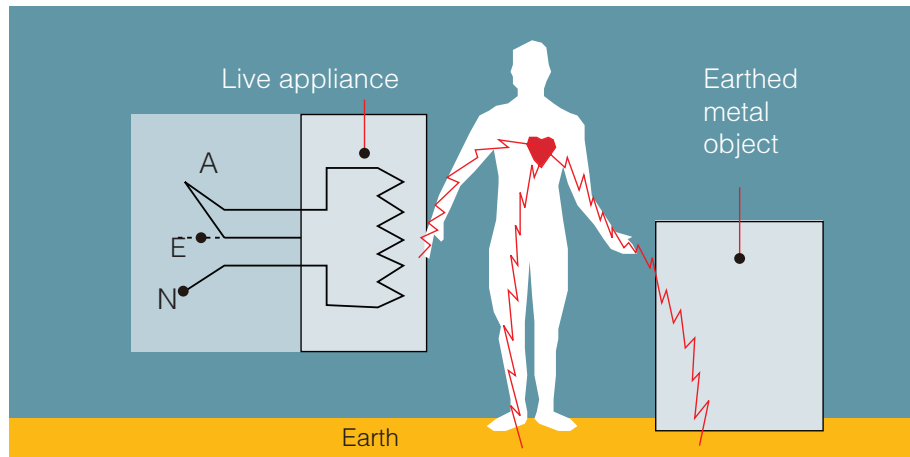
Supply type A and type AC RCD
Tripping is reliable and stable
No malfunction

What a lifesaver!

Safety in numbers

The SUNTREE range continues to grow. Since the late 1997s XINCHI has led the way in the development of Residual Current Device (RCD) technology (commonly known as the Safety Switch), with a product range that is constantly increasing and being improved to meet the needs of consumers.

So whether you require fixed or portable protection in the home, workshop or workplace, XINCHI has the Lifesaver for the job.



Setting a high standard

XINCHI is an industry leader when it comes to electrical products. Over the years, the company has continually set high standards for electrical products in Australia and around the world.

The Safety Switch has been a major contributing factor in the continued reduction of electric shocks and electrical safety hazards.

Standards

XINCHI's Lifesaver range provides all homes and workplaces with the equipment to comply with the RCD requirements of AS/NZS 3000 Wiring Rules. In addition to this, it is worth noting in December 2010 the NSW Government announced that by 2014 all businesses will be required to protect workers with Safety Switches where reasonably practicable.

This new electrical standard will bring NSW in line with four other Australian jurisdictions (SA, WA, NT and QLD), all of which already have Safety Switch workplace provisions in place.

Protecting your equipment

As well as protection from electrocution, an RCD will also cut off power to expensive electrical equipment in the event of an electrical fault to Earth. This protects appliances from costly damage and the installation from fire.

For total protection of your equipment, RCDs must be used in conjunction with Miniture Circuit Breakers (MCBs), together with surge protection.

Protecting you

When a power tool or appliance is in use, your XINCHI Lifesaver continually monitors and compares the current flowing through the Active and Neutral circuits of the electrical installation. In the event of a current flow to Earth, an imbalance will occur. If this imbalance is sufficient, the XINCHI Lifesaver will cut the power in a fraction of a second.

Keyword: 6~32A,1+N,18mm, 30mA, Breaking capacity: 4.5/6.0kA, SAA Certificate
 The RCD temperature rising is small, No malfunction

SDRNL Mini RCD

Application

SDRNL earth leakAge circuit breakers are mainly applied to the AC 50/60Hz 1Hz circuit rated 240V and 32A or below, They have the electric leakAge(electric shock),overload,short circuit and so on protection functions . the over voltage protection functions.The over voltage protection function can also be provided upon requirements. They are mainly used to protect the buiding illumination and power distrion system.



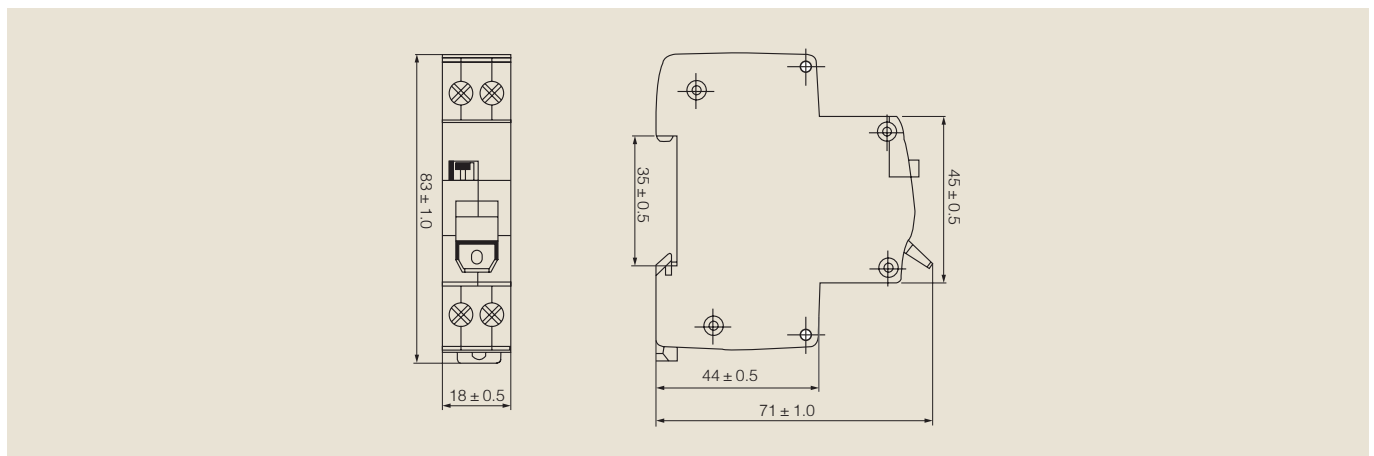
Specifications

| Rated Voltage(V) | Rated Current (A) | I Δ n (mA) | I Δ no (mA) | I Δ n | Breaking Times(S) | | | I Δ mA (A) |
|------------------|-------------------|------------|-------------|-------|-------------------|-------|------|------------|
| | | | | | 21 Δ n | 0.25A | 500A | |
| 240 | 6 10 16 20 25 32 | 30 100 | 15 50 | 0.1 | 0.05 | 0.4 | 0.04 | 3000 |

Normal Operation Conditions

- Ambient Air temperature: Ambient air temperature range from -5°C ~ +40°C ,not exceeding 35°C averagely in 24 hours.
- Location: installation location can not exceed 2000 meters above sea level.
- Air conditons: Relative humidity in the installation palce can not exceed 50% when the air reaches the highest temperature +40°C , the average minimum temperature when it is the wettest can not exceed 25°C Relative humidity not exceeding 90%.
- Installation conditions: Magnetic field outsid the installation place can not exceed 5 times of the site of terrestrial magnetism in all directions. Normally speaking, RCBO should be mounted vertically .If the operation handle puts through power source upward, there should be no notable impact and vibration in the installation place.
- LeakAge protection function of RCBO is tested and adjusted by the manufacture, users can not open the products at random during usage.
- After using RCBO for a certain time (normally one month) , test button should be pressed noce in a state of making the circuit to check whether the function of RCBO is normal and reliable (press test button once, the RCBO can break off noce) . If abnormal, it should be unloaded and sent to the manufacturer to repair.
- RCBO can not be wetted or soaked by rain, snow or water during the course or transportation storage and usage.

Dimensions



Keyword:1-63A,1P,1P+N,2P,3P,3P+N,4Pole, 30,100,300,500mA, Distribtuion Board Mount
Small shell(32A) Large shell(63A)

SC45L RCD

Application

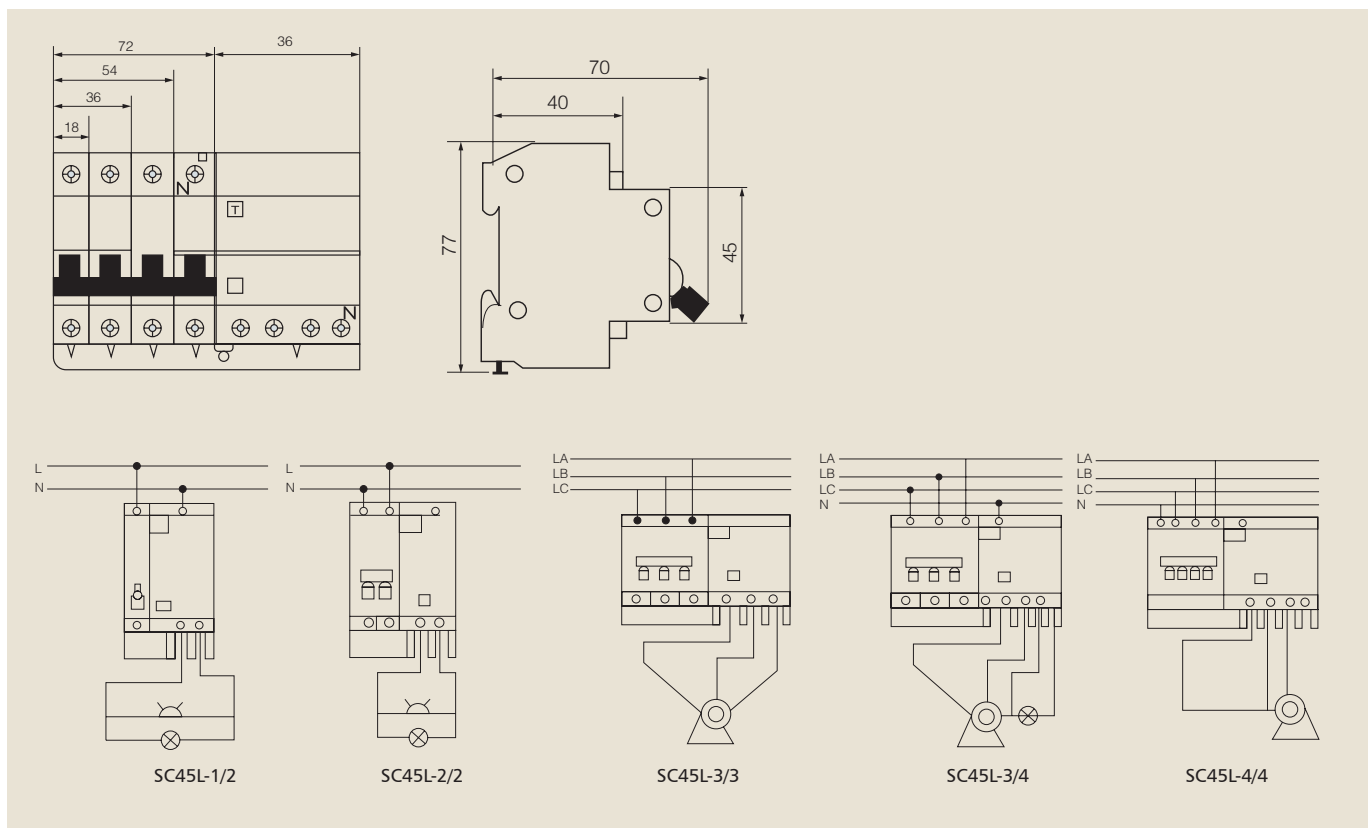
SC45L earth leakAge circuit breaker is used for the protection,against electrical leakAge in the circuit of 50/60Hz, rated voltage single-phase 230V, 3 phase 415V, rated current up to 60A When somebody gets an electric shock or the residual current of the circuit exceeds the fixed value,the RCD can cut off the power within the time of 0.1s automatically protecting the equipment from the fault resulted by the residual current. With this function,the RCD can protect the circuit against overload and short circuit or can be used for the unfrequented switch over of the circuit under normal conditions. It conforms to IEC60898 & IEC61009.1.



Specifications

| Rated Voltage (V) | Pole number | Rated current (A) | LeakAge Action Current(mA) | LeakAge Dead Current(mA) | LeakAge Action Time(s) |
|-------------------|-------------|-------------------|----------------------------|--------------------------|------------------------|
| 230V | 1P | 1~10 | 30 | 15 | < 0.1 |
| | | 15~32 | | | |
| 415V | 2,3,4P | 40~63 | 100 | 50 | |

Wiring diagram



Keyword: 6~100A, 1P,1P+N,2P,3P,3P+N,4Pole, Distribtuion Board Mount, Assembled RCD
 SC45L-125H RCD

Application

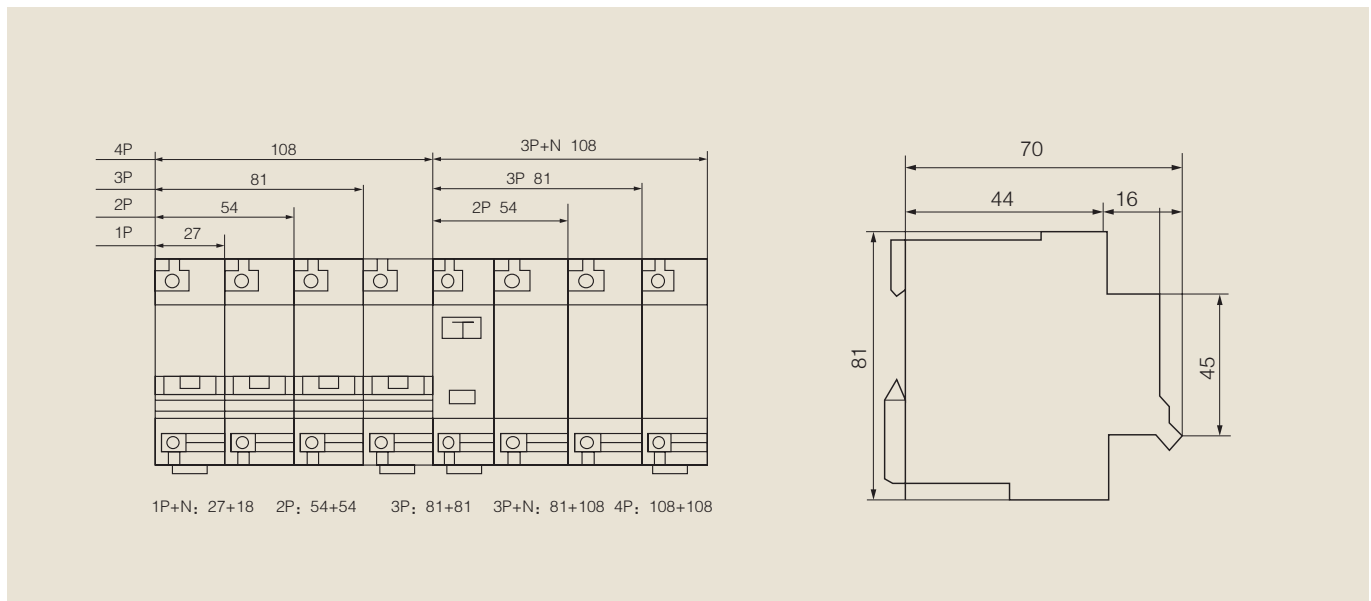
SC45L-125H is suitable for the circuit of 50Hz, rated voltage 230V/415V, and rated current up to 100A, It has the earth leakAge, overload ,short circuit protect function. And it can also add over voltage protect function. It is mainly used in building illuminating and electrical distribution system.



Specifications

| Voltage (V) | Rated frame current (A) | NO. of Pole | Neutral pole | Rated breaking capacity I _{cu} cos Φ | Rated operated current | Rated no-operation current I _n mA | Tripping time(s) | Tripping type | | |
|-------------|-------------------------|-------------|--------------|--|------------------------|--|------------------|---------------|------|---|
| 230 | 125 | 1 | +N | 40 | 10000 | 0.5 | 30 | 15 | <0.1 | C |
| 230 | | 2 | | 50 | 10000 | 0.5 | 50 | 25 | <0.1 | C |
| 415 | | 3 | | 63 | 6000 | 0.5 | 100 | 50 | <0.1 | C |
| 230/415 | | 3 | +N | 80 | 6000 | 0.5 | 200 | 100 | <0.1 | C |
| 230/415 | | 4 | | 100 | 10000 | 0.5 | 300 | 150 | <0.1 | C |
| 230 | | 1 | +N | 40 | 10000 | 0.5 | 30 | 15 | <0.1 | D |
| 230 | | 2 | | 50 | 6000 | 0.5 | 50 | 25 | <0.1 | D |
| 415 | | 3 | | 63 | 6000 | 0.5 | 100 | 50 | <0.1 | D |
| 230/415 | | 3 | +N | 80 | 6000 | 0.5 | 200 | 100 | <0.1 | D |
| 230/415 | | 4 | | 100 | | 0.5 | 300 | 150 | <0.1 | D |

Outline and installation dimensions



Keyword: 6-63A,1P,1P+N,2P,3P,3P+N,4Pole, Consumer Unit Mount

SC65L(SC60L) RCD

Specifications

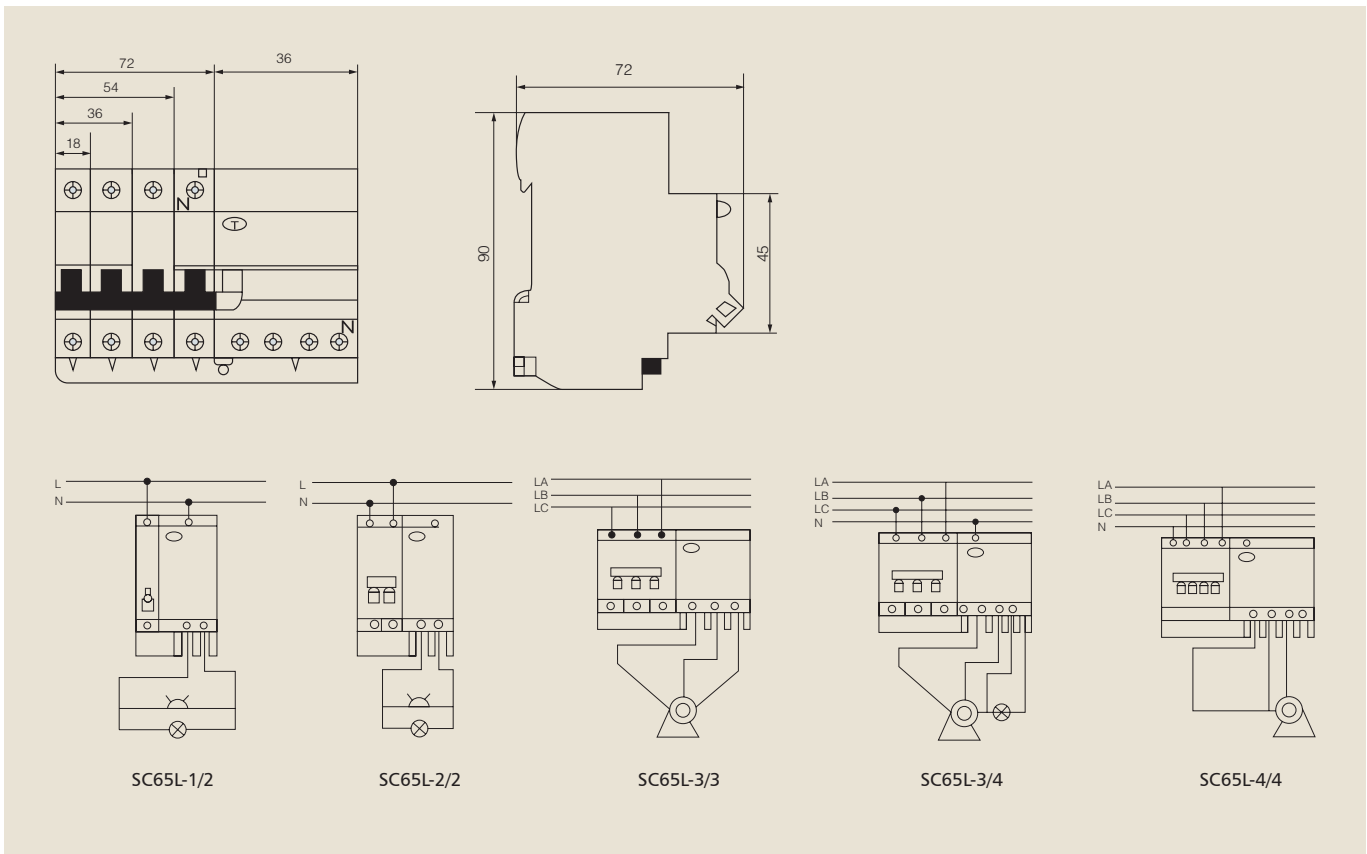
| | |
|-------------------------|-----------------------|
| Rated Voltage | 230V/415V |
| Rated current | 6-63A |
| Rated frequency | 50Hz |
| Rated breaking capacity | 10/6kA |
| Tripping characteristic | B,C,D |
| Rated residual current | 30mA,50mA,300mA,500mA |
| Standard | IEC60898 & IEC61009.1 |



Wiring diagram

| Single-pole Double Line | Double-pole Double Line | Triple-pole Triple Line | Triple-pole Four Line | Four-pole Four Line |
|-------------------------|-------------------------|-------------------------|-----------------------|---------------------|
| SC65L 1/2 | SC65L 2/2 | SC65L 3/3 | SC65L3/4 | SC65L4/4 |

Dimensions



Keyword: 1-63A,1,2,3,4 Pole, Consumer Unit Mount, Distribtuion Board Mount

SL7LE RCD

Application

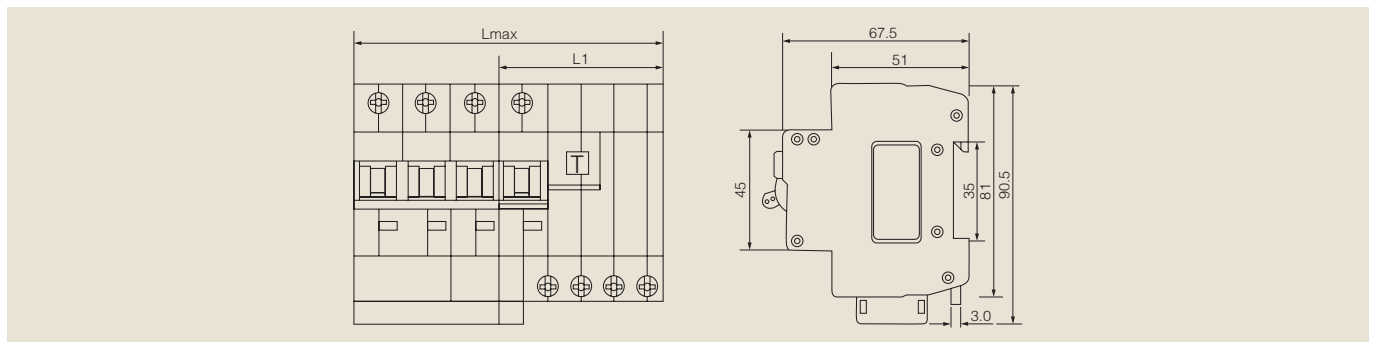
SL7LE earth leakAge circuit breaker is used for the protection,against electrical leakAge in the circuit of 50/60Hz, rated voltage single-phase 230V, 3 phase 415V, rated current up to 60A When somebody gets an electric shock or the residual current of the circuit exceeds the fixed value,the RCD can cut off the power within the time of 0.1s automatically protecting the equipment from the fault resulted by the residual current. With this function,the RCD can protect the circuit against overload and short circuit or can be used for the unfrequented switch over of the circuit under normal conditions. It conforms to IEC60898 & IEC61009.1.



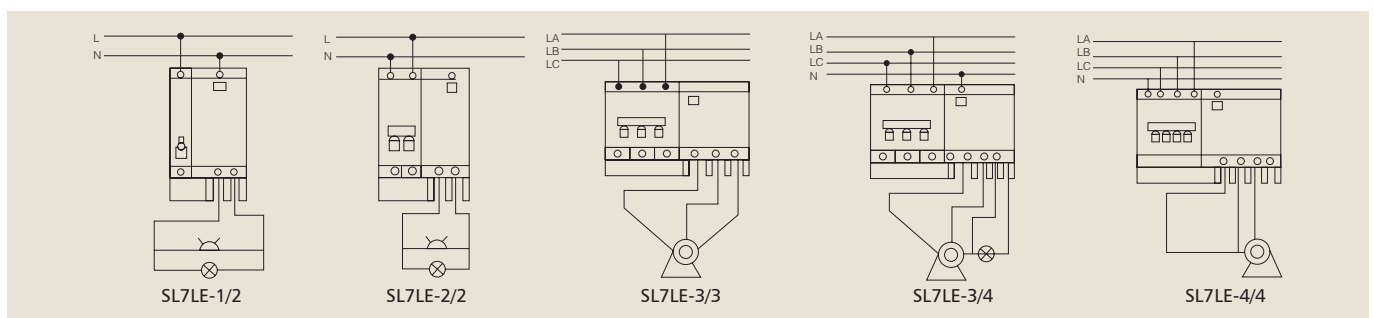
Specifications

| | |
|---|---------------------------|
| Standard | IEC60898 & IEC61009.1 |
| Rated Voltage(Un) | 230VAC/415VAC |
| Rated Current(In) | 1-63A |
| Rated Residual Operating Current(I _{Δn}) | 30,100,300,500mA |
| Rated Current off-time | ≤ 0.1s |
| Rated Residual Non-operating Current(I _{Δno}) | |
| Min Value of Rated Operating and Breaking Capacity(I _m) | 63A |
| Electrical life | not less than 4000 times |
| Mechanical life | not less than 20000 times |
| Installation | On symmetrical DIN rail |

Dimensions



Operating principle



Keyword: 6-50A,1+N Pole, 36mm,Consumer Unit Mount, Distribtuion Board Mount

SPFIM series RCD

Application

The RCD apply to the circuit of AC 50Hz with rated voltage up to 400V, rated current up to 50A, power supply neutral point ear thing. Main use in protect of person get an electric shock and protect the building s circuit devices over current, it also can protect the earthing fault.

The RCD is according with IEC61009.1 standard.



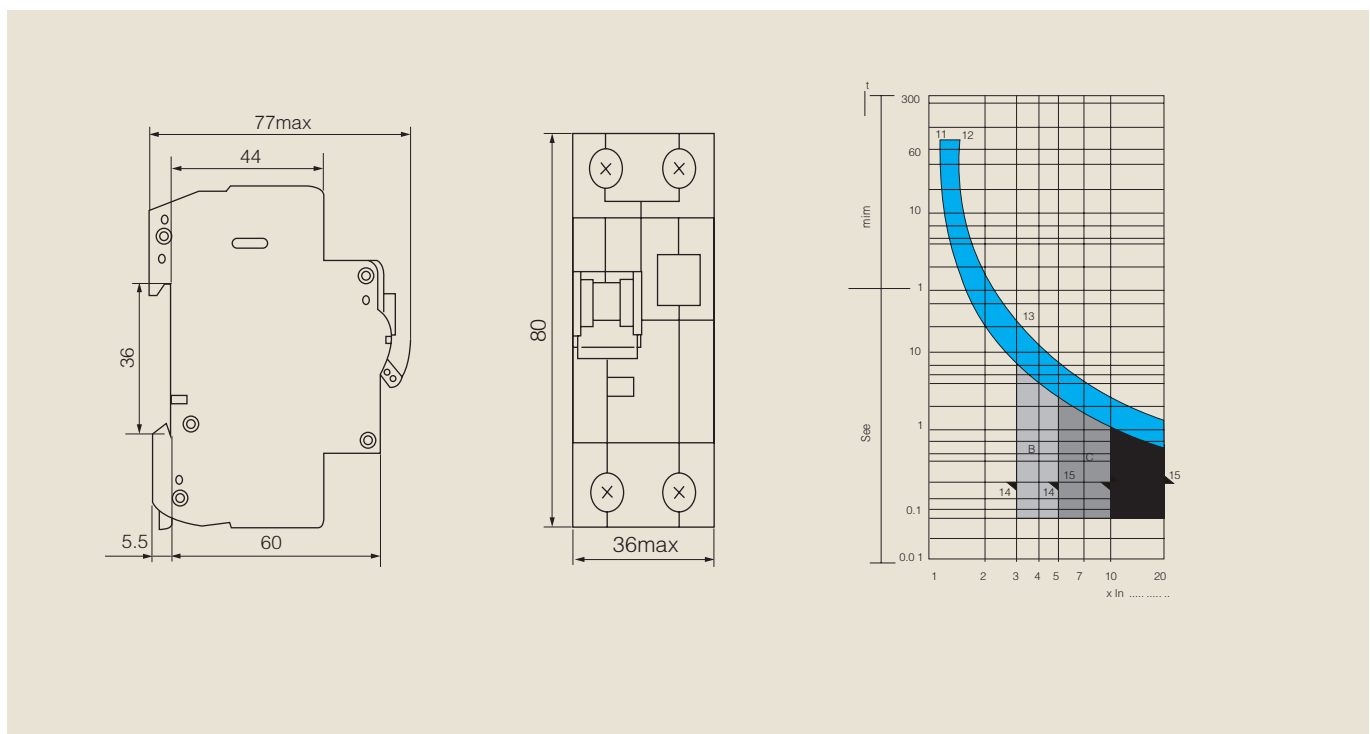
SPFIM

SF8

Specifications

| Frame case grade rated current I _n m (A) | Pole | Add neutral wire | Rated residual operating current I _n (mA) | Rated residual non operating current I _n (mA) | Rated short circuit breaking capacity | | | Rated residual switch on breaking capacity (A) | Over current instantaneous release type |
|---|------|------------------|--|--|---------------------------------------|-------------------|-------|--|---|
| | | | | | Voltage (V) | Breaking capacity | cos Φ | | |
| 50 | 1 | N | 6, 10, 16, 20, 25,32, 40,50 | 30, 50, 100, 300 | 230 | 1000 | 0.5 | 3000 | B, C, D (D type In up to 40A) |
| 40 | 1 | N | 6, 10, 16, 20, 25, 32, 40 | 30, 50, 100, 300 | 230 | | | | B, C, D (D type In up to 40A) |

Dimensions / Curve



Keyword: 25,40,63A ,2,4Pole, A&AC curve, Electronic and electromagnetic
SF7、SNF-7 RCD

Application

The RCD can cut off the fault circuit immediately on the occasion of shock hazard or earth leak-age of trunk Line,Thus it is suitable to avoid the shock and fire caused by earth leakAge.

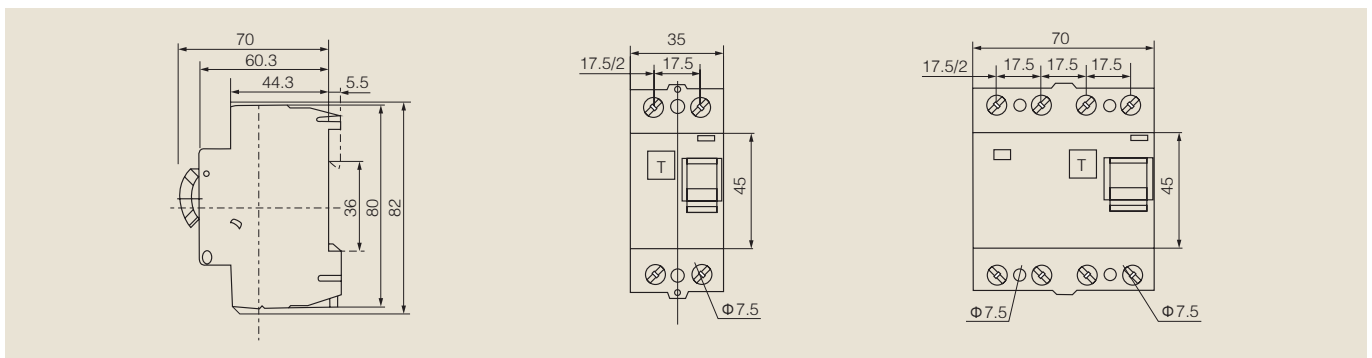
The RCD is mainly suitable for use using in variety of plants and enterprises,construction, commerce,guest houses and families. It can be used in circuit single phase 230V, three phase 415V 50 or 60Hz RCD is not suitable for use using in pulse system.



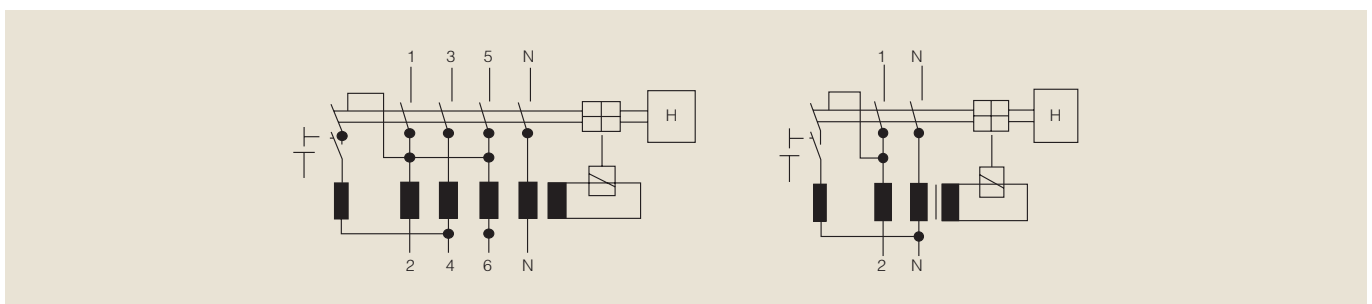
Specifications

| | |
|--|--|
| Standard | IEC61009.1 |
| Rated Voltage(Un) | 2Pole:230VAC 4Pole:415VAC |
| Rated Current(In) | 25,40,63A |
| Rated Residual Operating Current(I Δ n) | 30,100,300,500mA 0.5I Δ n |
| Rated Current off-time | ≤ 0.1s |
| Minimum Value of Rated Making And Breaking Capacity(I _m) | 63A |
| Rated Conditional Short-circuit Current(I _{nc}) | I _n =25,40A I _{nc} =1500A I _n =63A I _{nc} =3000A |
| Endurance | On load:2000cycles Off load:2000cycles |
| Installation | On symmetrical DIN rail |

Dimensions



Operating principle



Keyword:25,40,63A,2,4 Pole, A&AC curve, Electronic and electromagnetic, Integrated model
 SID RCD

Application

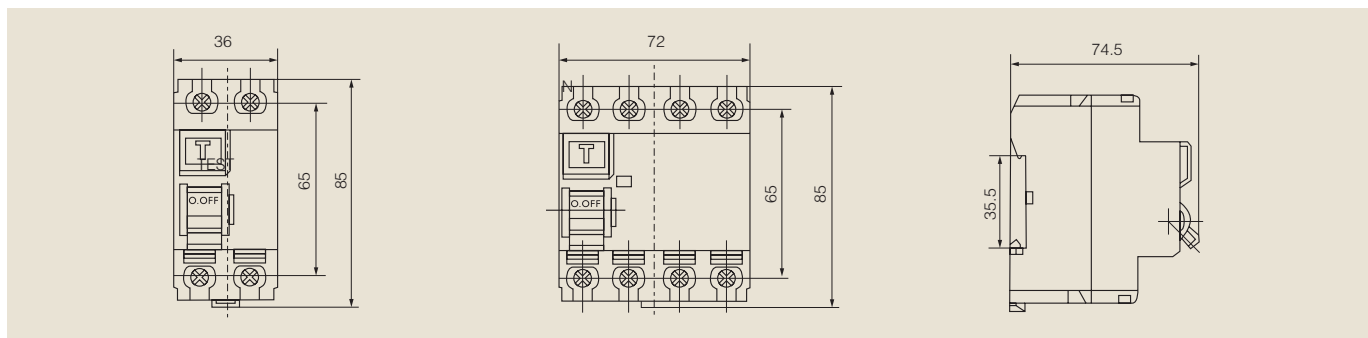
They have a residual current operated electromechanical release which operates without any auxiliary source of supply to open a circuit automatically in the case of an earth leakage fault between phase and earth greater than or equal to a threshold of 30mA, 100mA, 300mA or 500mA.



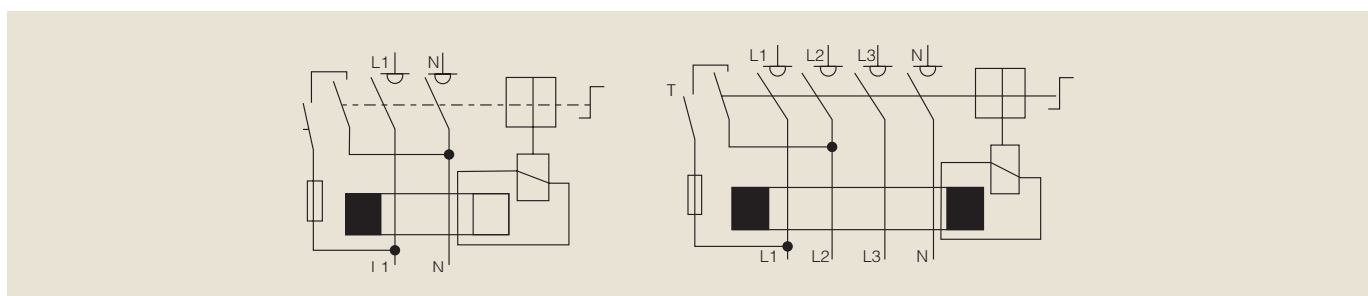
Specifications

| | |
|--|---|
| Standard | IEC61009.1 |
| Rated Voltage(Un) | 2Pole:230VAC 4Pole:415VAC |
| Rated Current(In) | 25,40,63A |
| Rated Residual Operating Current(I Δ n) | 30,100,300,500mA |
| Rated Residual Non-operating Current(I Δ no) | 0.5I Δ n |
| Rated Current off-time | ≤ 0.1s |
| Breaking Capacity(kA) | 6000 |
| Rated Conditional Short-circuit Current(Icn) | 500A |
| Endurance | In=25,40A Inc=1500A, In=63A Inc=3000A |
| Short-circuit Capacity(Icn) | On load:2000 cycles, off load:2000 cycles |
| Endurance | ≥ 4000 |

Dimensions



Operating principle



Keyword: 25,40,63A, 2,4Pole, A&AC curve, Electronic and electromagnetic
SIDN RCD

Application

SIDN Residual current circuit breaker without over current protection conforms to the standards of IEC61009.1、BS4293 etc, It is used in the circuit of AC 50/60Hz. single phase 230V, three phases 415V in industrial & mining enterprises, Commercial buildings and housing for protection of personal electric shock hazard, and also can used for unfrequented switch over circuit under normal conditions.

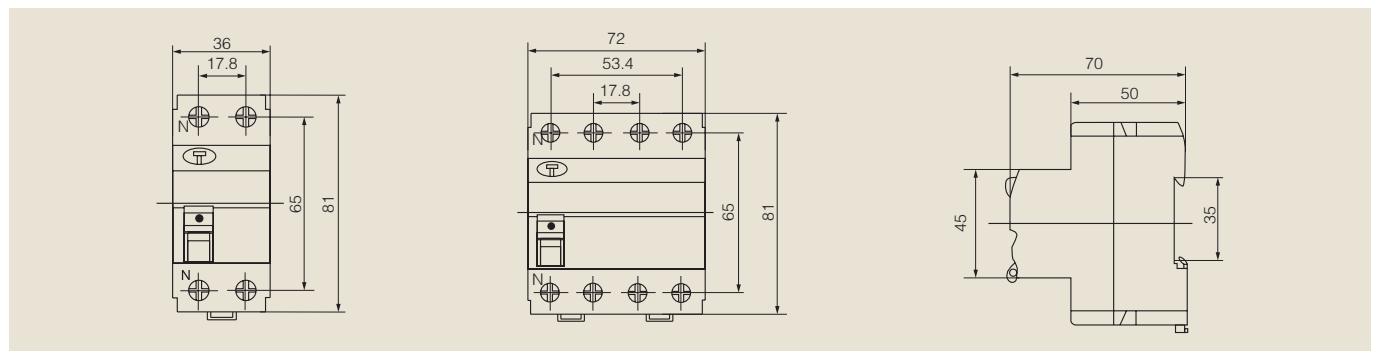


Improved

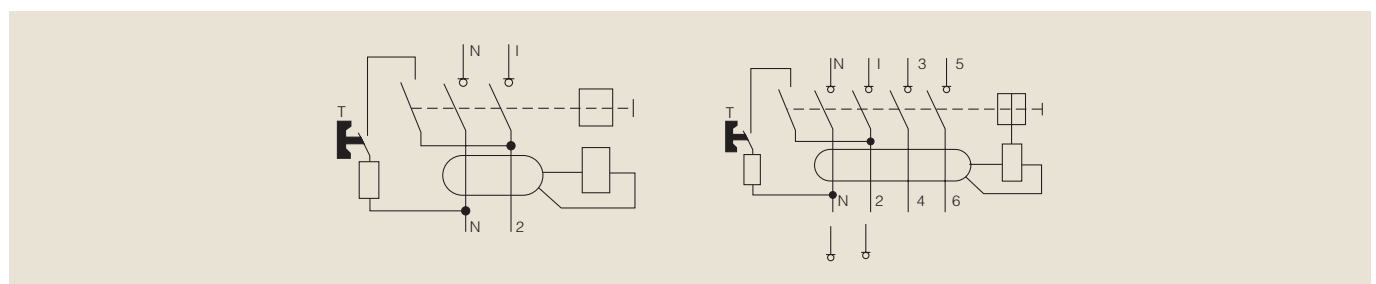
Specifications

| | |
|--|--|
| Standard | IEC61009.1、BS4293 |
| Rated Voltage(Un) | 2Pole 230VAC 4Pole 415VAC |
| Rated Current(In) | 25,40,63A |
| Rated Residual Operating Current(I Δ n) | 30,100,300,500mA 0.5I Δ n |
| Rated Current off-time | ≤ 0.1s |
| Mini Value of Rated Operating and Breaking Capacity(I _m) | 1kA |
| Rated Conditional Short-circuit Current(I _{nc}) | I _n =25,40A I _{nc} =1500A I _n =63A I _{nc} =3000A |
| Endurance | On load:2000cycles off load:2000cycles |
| Installation | On symmetrical DIN rail |

Dimensions



Operating principle



Keyword:16-63A, Shell is made of plastic and Electric Jado powder, Electric Jado powder, Electronic and electromagnetic, Different appearance
SF360 RCD

Application

The item is in accordance with standards of IEC61009.1 and BS4293 etc. Applying to the circuit of AC 50/60Hz,230V single phase,415V three phases and below it for industrial and mining enterprise,building trade,commerce and family. To mainly prevent electric fire and personal casualty accident caused by personal electric shock or leakAge of electrified wire netting,this RCD is a current-operated,fast leakAge protector of pure electromagnetic type. Which can break off fault circuit rapidly in order to avoid occurrence of accident.



Plastic shell



Electric Jado Powder shell

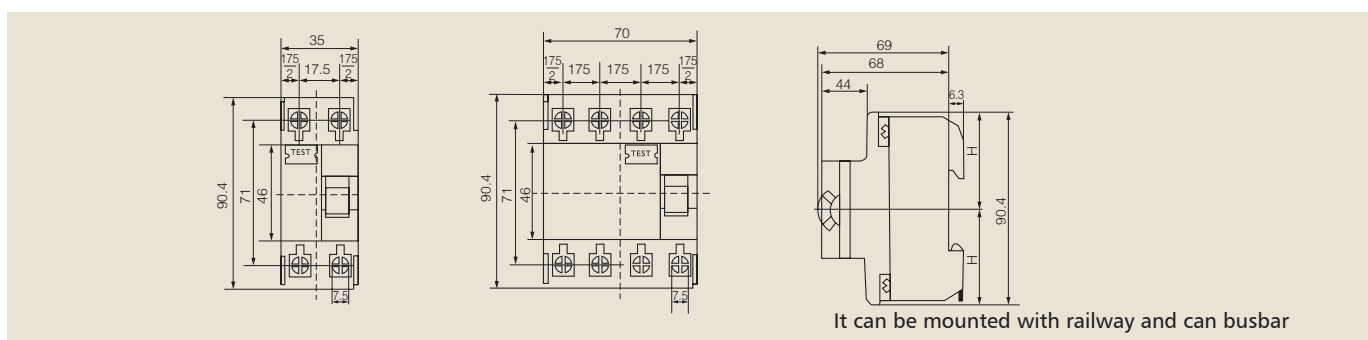
Specifications

| Type | Rated Current(A) | LeakAge Acting Current | Range of Break-off | Rated Voltage |
|-------|---------------------|------------------------|--------------------|-----------------------|
| SF362 | 16A,25A,32A,40A,63A | 10mA,30mA,100mA,300mA | 0.5~1.0XI Δ n | 230V(220V) |
| SF364 | 25A,32A,40A,63A | 30mA,100mA,300mA | 0.5~1.0XI Δ n | 230V/415V (220V/380V) |

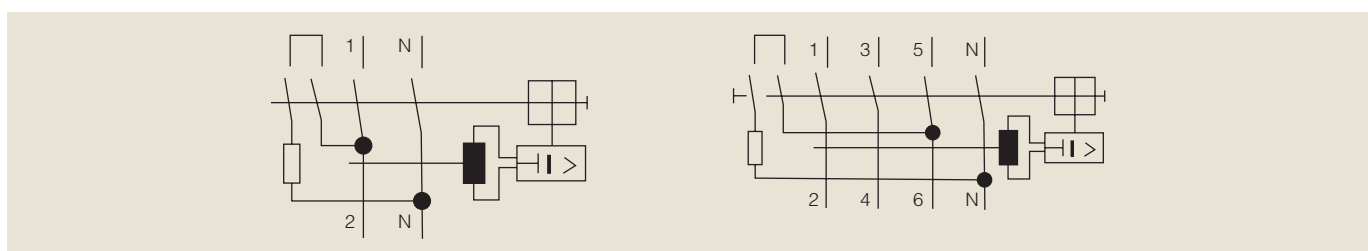
Technical data

| | |
|----------------------|---|
| Tripping Time | 100ms(depending on specifications 5XI Δ n400ms) |
| Ambient Temperature | -5°C ~ +55°C |
| Climatic Resistance | 55°C /28°C cycles |
| Vibration Resistance | Min 5g 30mm, 0~8Hz |
| Life Expectance | More Than 10,000Times |

Dimensions



Operating principle



Keyword: 25,40,63A,2,4 Pole Consumer Unit Mount, Distribution Board Mount

SFI-100 RCD

Application

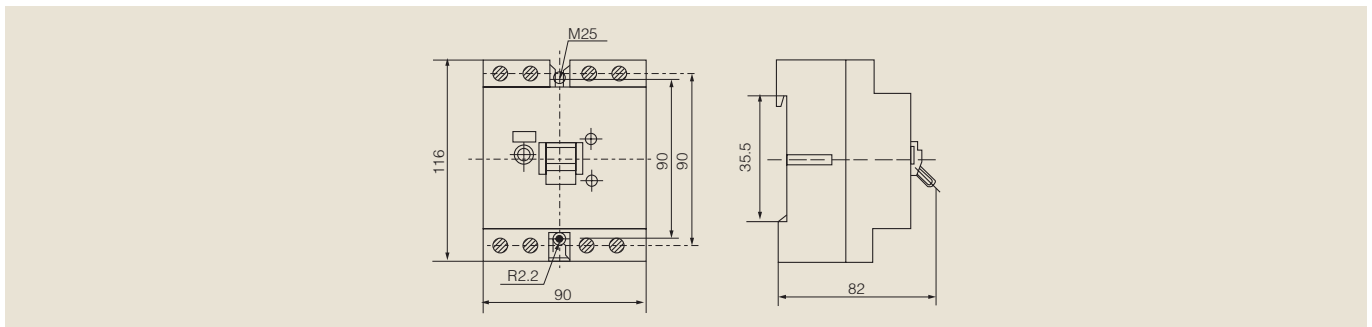
SF1-100 Residual current circuit breaker provide the functions of isolation switching and earth leakage protection of electrical circuits. And also provides the indirect protection of the operator's body against the dangerous effects of electric current and provides the protection of the fire caused by the electrical circuit fault.



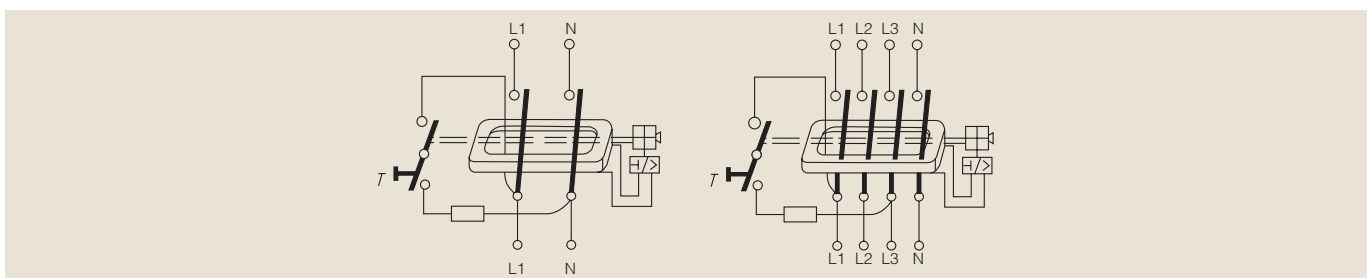
Specifications

| | | |
|--|------------------------------------|------------|
| Type | SF1-100 | |
| Standard | IEC61009.1 | |
| No.of Poles | 2P,4P | |
| Rated Current(In) | 25,40,63A | |
| Rated Residual Operating Current(I Δ n) | 30,100,300,500mA | |
| Rated Residual Non-operating Current(I Δ no) | 0.5I Δ no | |
| Rated Voltage(Un) | AC 230(240)/400(415)V | |
| Residual Current off-time | ≤ 0.1s | |
| Short-circuit Capacity(Inc) | In=25,40A Inc1500A In=63A Inc3000A | |
| Endurance | On load | 2000cycles |
| | Off load | 2000cycles |
| Protection Degree | IP20 | |

Dimensions



Operating principle



Keyword: 25,40,63A, 2,4 Pole Consumer Unit Mount, Electronic and electromagnetic
SFIN RCD

Application

The earth leakAge circuit breaker SFIN is in conformity with the standards of IEC61009.1 and BS4293.

It can cut off the fault circuit immediately on the occasion of shock hazard or earth leakAge of trunk line.It is suitable to avoid the shock hazard and fire caused by earth leakAge.

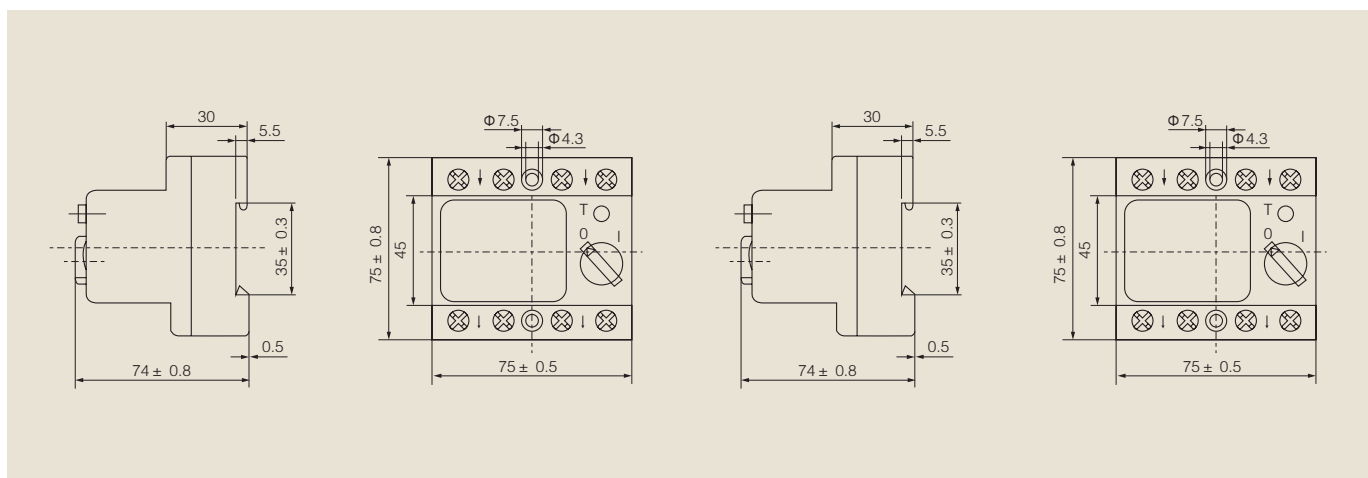
SFIN RCD is mainly suitable for use in varieties of plants and enterprises. Building,construction,commerce,guest houses and families,it can be used in circuits up to single phase 240V, three phases 415V, 50/60Hz.



Specifications

| | | | |
|---|-------------------|--------------|-----------------|
| Type | SFIN25 | SFIN40 | SFIN63 |
| Rated Current L Δ n(A) | 25 | 40 | 63 |
| Rated Operating Current For Earth LeakAge L Δ n(A) | 0.03,0.1,0.3,0.5 | | |
| Rated Non-operating Current For Earth LeakAge L Δ n(A) | 0.5I Δ n(A) | | |
| Voltage(V) | 240(220)/415(380) | | |
| Pole No. | 2 | 4 | |
| Operating Time(second) | I Δ n(A) | 2I Δ n(A) | 0.25A(or51 Δ n) |
| Limited Value of Non-operating Current For Balance Load or Unbalance Load | 0.2 2I Δ n(A) | 0.1 | 0.04 |
| In Min Value of Rated Operating and Breaking Capacity | In=25 200 | In=40 300 | In=63 400 |
| Rated Conditional Short Circuit Inc(A) | 1500 | 2000 | 3000 |
| Endurance(times) | 4000 | | |

Dimensions



Keyword: 25,40,63A, 2,4Pole, A&AC curve, Electronic and electromagnetic, Color indicates SNFIN RCD

Application

The residual current device(RCD)NCIN is in conformity with the standards of IEC61009.1 and BS 4293.

It can cut off the fault circuit immediately on the occasion of shock hazard or earth leakage of trunk line. Thus it is suitable to avoid the shock hazard and fire caused by earth leakage.

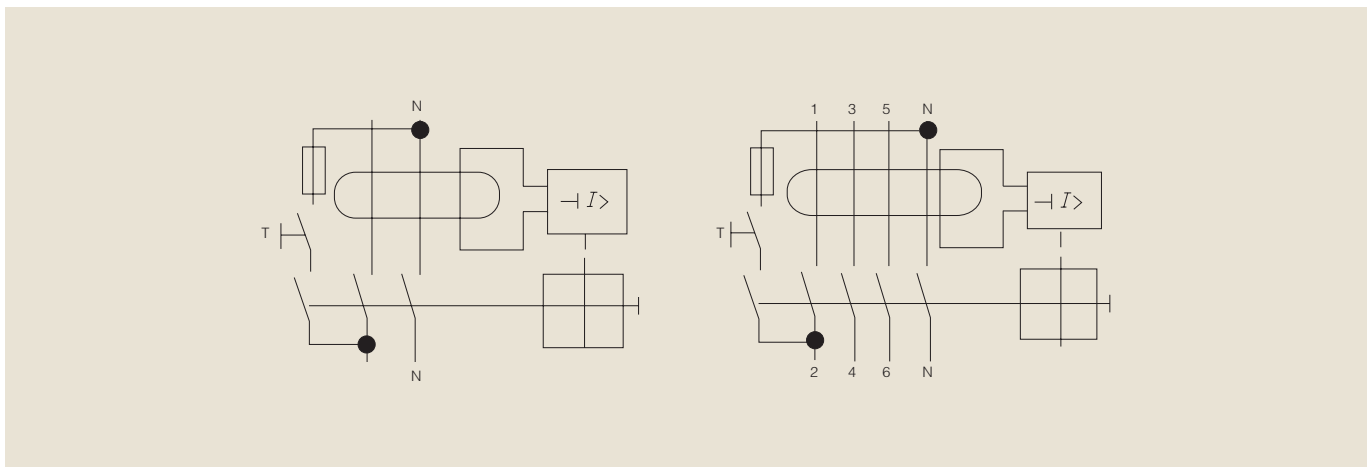
SNFIN RCD is mainly suitable for using in varieties of plants,enterprises,building Constructions, commerce,hotels and families. It can be used in circuit up to single phase 230V, three phase 415V, 50/60Hz.



Specifications

| | |
|---|--|
| Rated Voltage(Un) | 2Pole:230V AC 4Pole:415V AC |
| Rated Current(In) | 25,40,63A |
| Rated Residual Operating Current(I Δ n) | 30,100,300,500mA |
| Rated Residual Non-operating Current(I Δ no) | 0.5I Δ n |
| Rated Current off-time | ≤ 0.1s |
| Min Value of Rated Operating and Breaking Capacity(I _m) | 1kA |
| Rated Conditional Short-circuit Current(I _{nc}) | I _n =25,40A I _{nc} =1500A I _n =63A I _{nc} =3000A |
| Installation | On symmetrical DIN rail |
| Endurance(times) | 4000 |

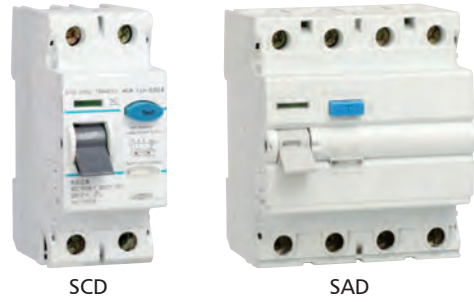
Operating principle



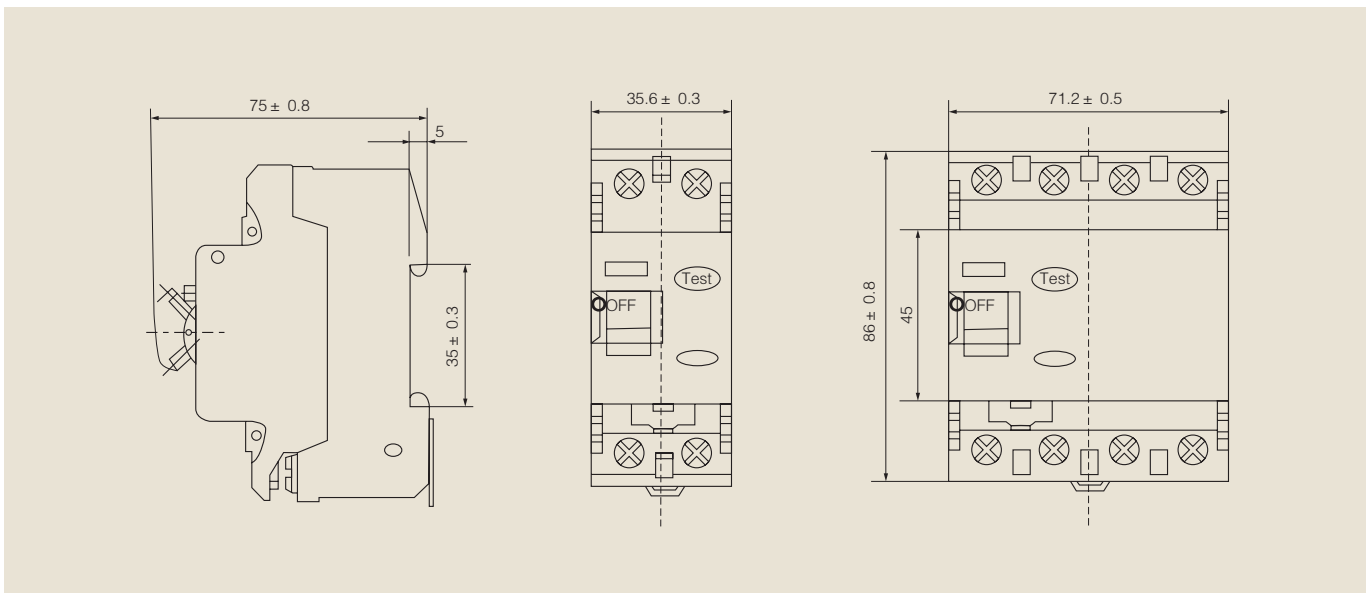
Keyword: 25,40,63A,2,4Pole, A&AC curve, Distribtuion Board Mount, Similar Hager
SCD (SAD) RCD

Specifications

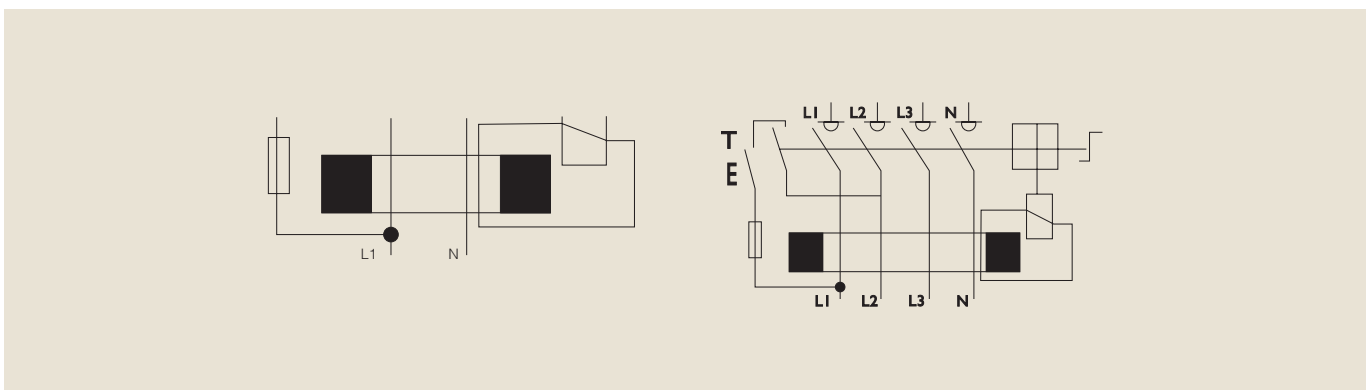
| | |
|---|---|
| Standard | IEC61009.1 |
| Rated Voltage(Un) | 2Pole:230VAC 4Pole:415VAC |
| Rated Current(In) | 25,40,63A |
| Rated Residual Operating Current(I _{Δn}) | 30,100,300,500mA |
| Rated Current off-time | ≤ 0.1s |
| Minimum Value of Rated Operating and Breaking Capacity(I _m) | 1kA |
| Rated Conditional Short-circuit Current(I _{nc}) | I _n =25,40A I _{nc} =1500A I _n =63A I _{nc} =3000A |
| Installation | On symmetrical DIN rail |



Dimensions



Operating principle



Keyword: 16,25,40,63A, 2,4Pole, A&AC curve, Consumer Unit Mount, Distribtuion Board Mount
SDXL RCD

Application

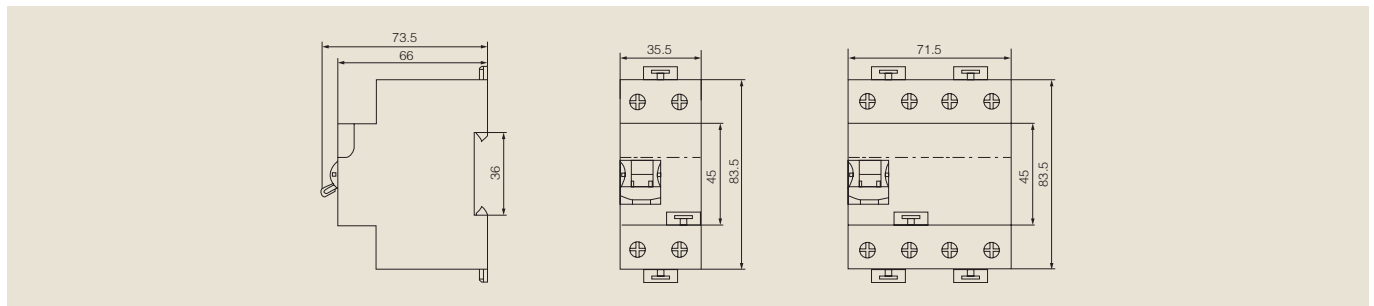
SDXL series Residual current breaker (without over-current protection) is suitable for the line of AC 50/60Hz,voltage 240V(2pole)/415V(4pole),rated current up to 63A.When there is human electricity shock or if the leakage current of the line exceeds the prescribed value, it will cut off the power rapidly to protect human safety and prevent the accident due to the current leakage.It can be used as infrequent changeover of the line in normal situation. It is applicable to industrial area, commercial area, tall building and civil house.It complies with standard IEC61009.1.



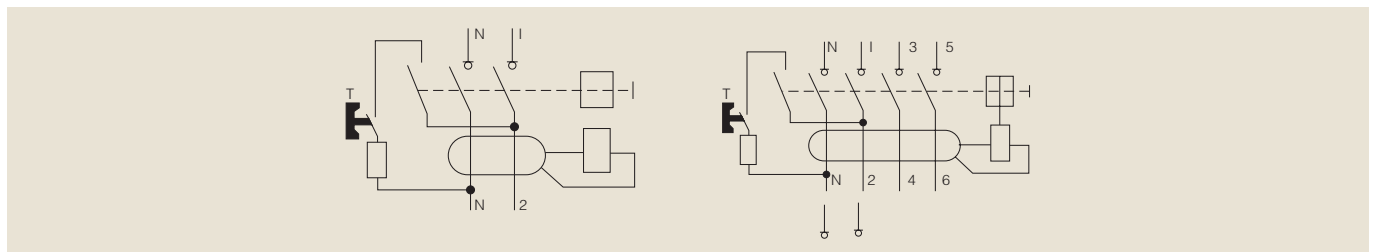
Specifications

| | |
|--|--|
| Frame class | 63A |
| Rated working voltage | 240/415V |
| Rated frequency | 50/60Hz |
| Rated working current | 16,25,40,63A |
| Rated rdsidual operating current | 0.03,0.1,0.3,0.5A |
| Rated residual un-operating current | 0.015,0.05,0.15,0.25A |
| Sensibility | A&AC Type |
| Maximum operating time | $I \Delta nt \leq 0.1s, 5I \Delta nt \leq 0.04s$ |
| Rated making and breaking capacity | $I_n \leq 50A$ 500A, $I_n \leq 63A$ 630A |
| Limiting value of un-operating current | 6In |
| Rated limiting short-circuit current | 6000A |
| Pole number | 2P,4P |
| Mechanical life | 20000 |
| Electric life | 4000 |

Dimensions



Operating principle



Keyword: 6-80A, 2,4Pole, A&AC curve, Similar siemens, Electronic and electromagnetic

S5SM1 RCD

Application

S5SM1 series earth leakAge breakers apply to AC circuit of 50Hz, rated voltage up to 415V, rated current up to 80A. It is mainly used as an indirect protection for human. It also can be used to prevent against the fire danger caused by earth fault current owing to equipment insulation damage. When the protective measures of the electric shock are out of work, the RCCB whose rated residual operating current less than 30mA can serve as the supplementary protection for indirect contact, but it can not be used as the sole direct contact protection.



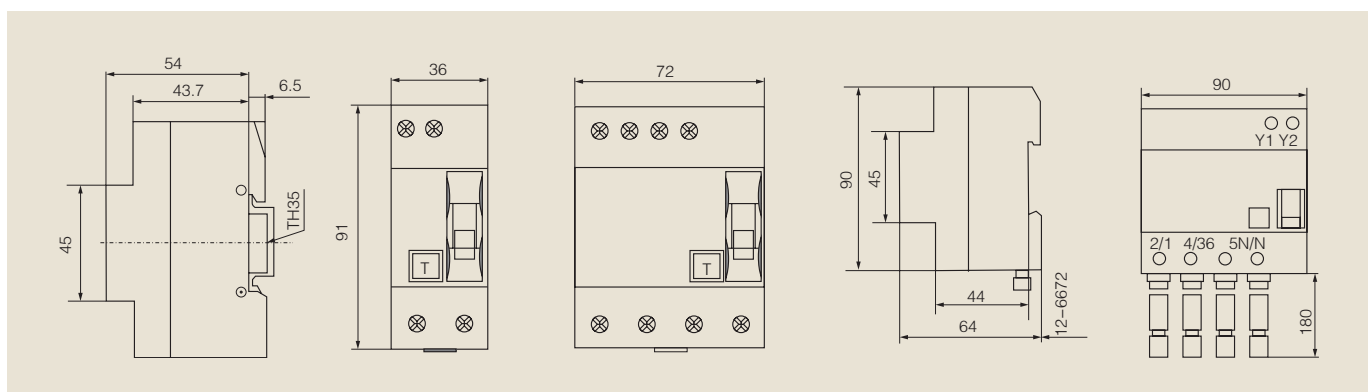
Product features

- S5SM1 series earth leakAge breaker are the protector pure electromagnetic residual current operation.
- The operation function is unrelated to circuit voltage, but operation is reliable.
- It can be reliably operated on the loss of phase or neutral.
- The capacity of resisting electromagnetic interference is strong.

Specifications

| Type | Un (V) | Hz | Im I Δ m | Inc I Δ m | I Δ A | I Δ n mA | I Δ no mA | The Max. of break-times | | | | |
|-------------|--------|-------|------------------------------------|--------------|---------------------------------|-------------|--------------|-------------------------|--------|--------|-------|------|
| | | | | | | | | 1 Δ N | 21 Δ N | 51 Δ N | 0.25A | 500A |
| S5SM1 2P | 230 | 50,60 | 500A(In 50A 10In) In 50A | 6000A | 6,10,16 32,40 50,63 80 | 30 | 15 | 0.2 | 0.1 | - | 0.04 | 0.04 |
| | | | | | | 50 | 25 | 0.2 | 0.1 | - | 0.04 | 0.04 |
| | | | | | | 75 | 40 | 0.2 | 0.1 | - | 0.04 | 0.04 |
| | | | | | | 100 | 50 | 0.2 | 0.1 | 0.04 | - | 0.04 |
| | | | | | | 300 | 150 | 0.2 | 0.1 | 0.04 | 0.04 | 0.04 |
| | | | | | | 500 | 250 | 0.2 | 0.1 | 0.04 | 0.04 | 0.04 |
| S5SM1 4P | 415 | 50,60 | 500A(In 50A 10In) In 50A | 6000A | 6,10,16 32,40 50,63 80 | 30 | 15 | 0.2 | 0.1 | - | 0.04 | 0.04 |
| | | | | | | 50 | 25 | 0.2 | 0.1 | - | 0.04 | 0.04 |
| | | | | | | 75 | 40 | 0.2 | 0.1 | - | 0.04 | 0.04 |
| | | | | | | 100 | 50 | 0.2 | 0.1 | 0.04 | - | 0.04 |
| | | | | | | 300 | 150 | 0.2 | 0.1 | 0.04 | 0.04 | 0.04 |
| | | | | | | 250 | 125 | 0.2 | 0.1 | 0.04 | 0.04 | 0.04 |

Dimensions



Keyword:4~40A, 1+N,2,4Pole, A&AC curve, Distribtuion Board Mount, Similar AEG

SE9 RCD

Application

SE9 is our newly developed electronic leakage circuit breakers, combine overload, short-circuit, leakage, over-voltage protection function whole in one product, it also can be mounted the under voltage release, shunt release, auxiliary contactor and other accessories in side, mainly is suitable for the commercial building and civil construction.



Specifications

| | | | SE9 | HD90/D90 | HD92/D92 |
|--------------------------------|----------------------|----------------|--|--|----------|
| Standard | | | IEC61009 | | |
| Tripping characteristics | | | C | C | - |
| Current limit class | | | 3 | 3 | - |
| No. Of Poles | | | 1P+N | 1P+N | 2P、4P |
| Calibration Temperature(°C) | | | 30 | 30 | 30 |
| Operating Temperature(°C) | | | -25~+55 | -25~+55 | -25~+55 |
| Storage Temperature(°C) | | | -25~+55 | -25~+55 | -25~+55 |
| Rated current(A) | | | 6-40 | 4-40 | 4-40 |
| Rated Voltage(V) | AC(V) | 1P | - | - | - |
| | | 1P+N | 230/240 | 230/240 | 230/240 |
| | | 2P | - | - | 230/240 |
| | | 3P/3P+N/4P | - | - | 400 |
| | DC(V) | 1P | - | - | - |
| | | 2P(series) | - | - | - |
| Rated insulation Voltage | Pollution Degree 2 | | 500 | 500 | 500 |
| | Pollution Degree 3 | | 440 | 440 | 440 |
| Impulse withstand test voltage | | | 6 | 6 | - |
| Frequency(Hz) | | | 50/60 | 50/60 | - |
| Isolation application | | | Yes | Yes | - |
| Breaking Capacity(kV) | IEC61009 | 1P+N(230/240V) | 6 | 6 | - |
| Mechanical endurance | | | 20000 | 20000 | 20000 |
| Electrical endurance | | | 10000 | 10000 | 10000 |
| Add-on devices | | | Auxiliary contacts alarm contactes undervoltage release shunt trip | Auxiliary contacts alarm contactes undervoltage release shunt trip | - |
| Teminal capacity | | | 35 | 35 | 35 |
| Dimension | (H×D×W)86×68×Wmm/mod | | 18 | 18 | 18 |

Keyword: IEC61009, SC45L new type, Curve: C, Breaking Capacity: 4.5kA, Sensitivity: 30mA
 SCDB3LE RCD

Application

SCDB3LE electronic type residual current operated circuit breakers combine the following functions:

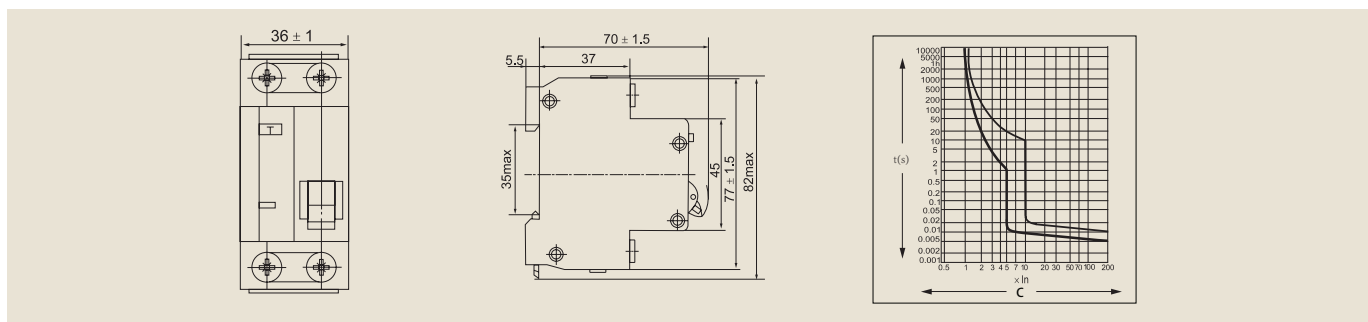
- Protection of circuits against overload currents
- Protection of circuits against short-circuit currents
- Protection of users against indirect contact
- Additional protection for users against direct contacts (30mA)
- Protection of electrical installations against insulation faults (fire hazard, etc)
- Isolation



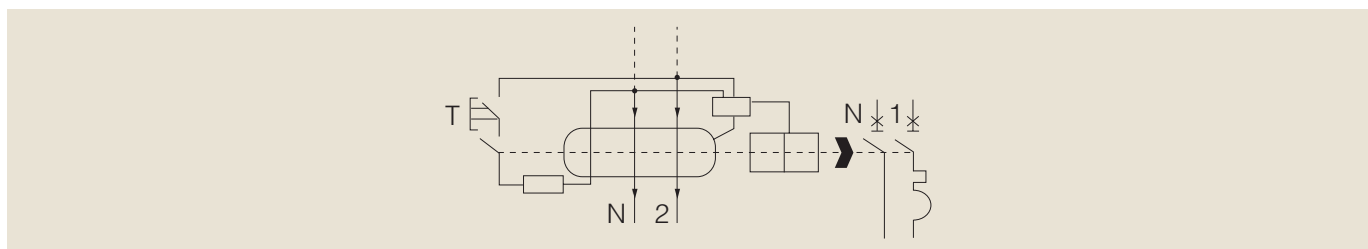
Specifications

| | |
|---|---|
| No. of Poles | 1P+N |
| Rated Current(I _n) | 6、 10、 16、 20、 25、 32、 40A |
| Rated Operating Current(I _{Δn}) | 30、 100、 300、 500mA |
| Rated Voltage (U _n) | AC230(240)V |
| Rated Frequency | 50Hz |
| Connection | Up to 6 mm ² cables |
| C curve | the magnetic release operates between 5 and 10 I _n |
| Residual Current off-time | ≤ 0.3s |
| Short-circuit Capacity(I _{cn}) | 4500A |
| Endurance | ≥ 4000 |
| Protection Degree | IP20 |
| Standard | IEC61009 |

Dimensions / Tripping Curve



Wiring diagram



Keyword: 6~32A,1P+N Pole, 36mm, The color safety instructions box
SDZ30L RCD

Application

SDZ30L leakAge protective breaker is used in the single phase residence circuit of AC 50/60Hz, rated voltage 230V, used as electron shock protection. It can protect civil electron circuit from overload and short circuit. This product has advantages of small volume,high breaking capacity zero, and live wire are cut off at the same time, also protecting person from electric shock when the live wire connected opposite. This product conforms to IEC61009, GB16917 Standards.



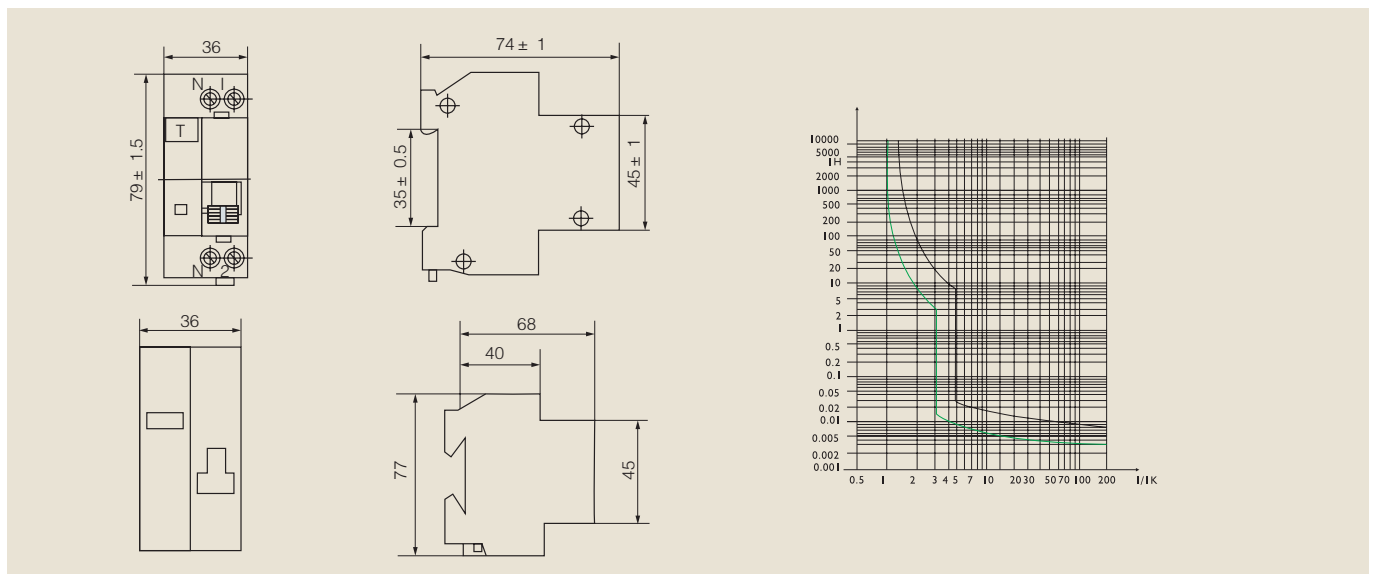
Specifications

| Rated Current(A) | No.of Pole | Rated Voltage(A) | Rated Current of Frame | Rated LeakAge Operating | Rated LeakAge Non-Operating Current | Rated LeakAge Breaking Time | Breaking Capacity(A) |
|------------------|------------|------------------|------------------------|-------------------------|-------------------------------------|-----------------------------|----------------------|
| 6,10,16,20,25,32 | 1P+N | 230 | 32 | 30 | 15 | ≤ 0.1s | 3000 |

Overload trip characteristic

| Rated Current(A) | Rated Voltage(A) | Limited Time | Press-gang Result | Start State | Note |
|------------------|------------------|--------------|-------------------|-------------|--|
| 1.13In | All | t ≥ 1h | non-trip | cold state | |
| 1.45In | All | t < 1h | trip | heat state | The current rise steadily to a fixed value within 5s |
| 2.55In | All | 1 < t < 60s | trip | cold state | |
| 5In | All | t ≥ 0.1s | non-trip | cold state | Open the supplementary switch,connect the power |
| 10In | All | t < 0.1s | trip | cold state | Open the supplementary switch,connect the power |

Dimensions / Characteristic curve



Keyword:1-40A,1 + N Pole,Consumer Unit Mount, Distribtuion Board Mount
SDPNL-40 RCD

Application

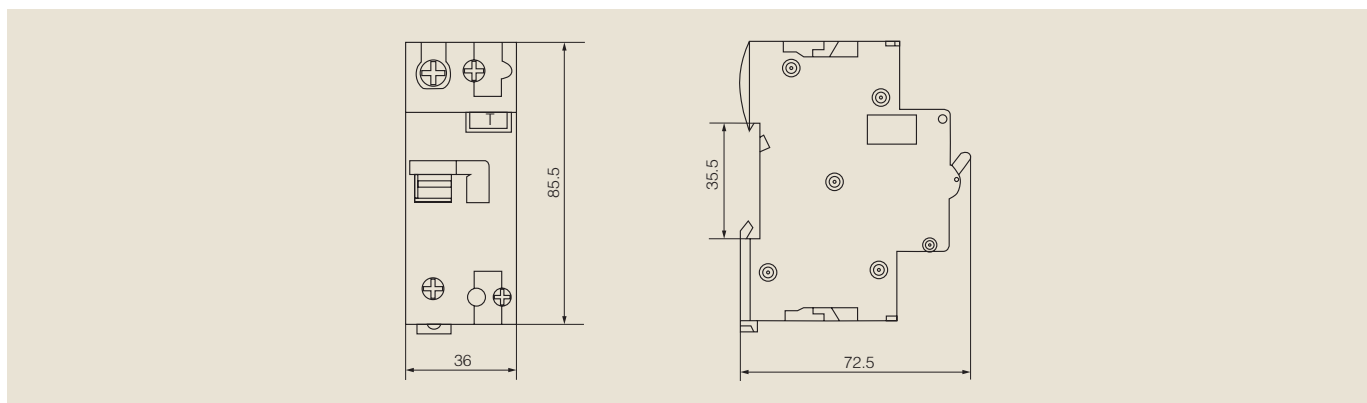
- Protection against the effects of earth leakAge overload and short circuit currents.
- 2P switching of ph & N,Phase only protected against overloads and short circuits.
- In commercial,industrial and domestic electrical distribution systems.
Note: It can' t be used as the sole means of providing protection against direct contact.
- The RCBO incorporates a residual current operated electromagnetic release which operates without any auxiliary source of supply to open a circuit automatically in the case of an earth leakAge fault between phase and earth greater than or equal to in. The RCBO combined
- Complementary protection against direct contact.
- Protection for the installation against insulation faults.



Specifications

| | |
|----------------------------------|--|
| Type | SDPNL-40 |
| No.of Poles | 1P+N |
| Rated Current(In) | 1、 2、 3、 4、 6、 10、 16、 20、 25、 32、 40A |
| Rated Operating Current(I Δ n) | 30、 100、 300、 500mA |
| Rated Voltage (Un) | AC230(240)V |
| Rated Frequency | 50Hz |
| Curve | B、 C |
| Residual Operating Current Scope | 0.5I Δ n~1 Δ n |
| Residual Current off-time | ≤ 0.3s |
| Short-circuit Capacity(Icn) | 6000A |
| Endurance | ≥ 4000 |
| Protection Degree | IP20 |
| Standard | IEC61009 |

Dimensions



Keyword: 10-25A, 1+N Pole, Similar ABB, Variety complete
 SDS941/SGS260 RCD

Application

Buidings, both residential and commercial
 Function: protection against both overload and short circuit currents and earth falt currents; additional protection against direct contact (thanks to I n=30A)



SDS941



SGS260 Series

Specifications

| No. of poles | Type/class | Nominal fault current I Δ n mA | Nominal current In A |
|-----------------------------|------------|-----------------------------------|-------------------------|
| Icn=4.5kA,B characteristics | | | |
| 1P+N | AC | 30 | 10 |
| | | | 16 |
| | | | 20 |
| | | | 25 |
| Icn=4.5kA,C characteristics | | | |
| 1P+N | AC | 30 | 10 |
| | | | 16 |
| | | | 20 |
| | | | 25 |
| Icn=6kA,B characteristics | | | |
| 1P+N | AC | 30 | 10 |
| | | | 16 |
| | | | 20 |
| | | | 25 |
| Icn=6kA,C characteristics | | | |
| 1P+N | AC | 30 | 10 |
| | | | 16 |
| | | | 20 |
| | | | 25 |

Keyword: 6-40A,1+N Pole, 18mm, Belt line, Distribtuion Board Mount

SNLE RCD

Application

Selection Rated residual operating current $I_{\Delta n} = \text{mA}$
additional protection in the case of direct contact.

Tripping class

AC class-Tripping is ensured for sinusoidal, alternating currents, whether they be quickly applied or slowly increase.

Tripping curve

B curve(3-5 I_n) protection and control of the circuits against voerloads and short-circuits; protection for people and big length cables in TN and IT systems.

C curve(5-10 I_n) protection and control of the circuits against overloads and short-circuits; protection for resistive and inductive loads with low inrush current.



Specifications

| | Standard | | IEC/EN 61009-1 |
|--|--|---|---|
| Electrical features | Type (wave form of the earth leadage sensed) | | AC |
| | Thermo-magnetic release characteristic | | B,C |
| | Rated current I_n | A | 6, 10, 13, 16, 20, 25, 32, 40 |
| | poles | | 1P+N |
| | Rated voltage U_e | V | 240 |
| | Rated sesitivity $I_{\Delta n}$ | A | 0.03 |
| | Rated residual making and breaking capacity $I_{\Delta m}$ | A | 500 |
| | Rated short-circuit capacity I_{cn} | A | 10000 |
| | Break time under $I_{\Delta n}$ | S | ≤ 0.1 |
| | Rated frequency | Hz | 50/60 |
| | Rated impulse withstand voltage (1.2/50)U _{imp} | V | 4000 |
| Dielectric TEST voltage at ind. Freq. for 1min | kV | 2 | |
| Mechanical featruess | Insulation voltage U_i | | 500 |
| | Pollution degree | | 2 |
| | Electrical life | | 2000 |
| | Mechanical life | | 2000 |
| | Contact position indicator | | Yes |
| | Protection degree | | IP20 |
| | Ambient temperature(with daily average $\leq 35^\circ\text{C}$) | $^\circ\text{C}$ | -5~40(Special application please refer to pe55 for temperature compensation correction) |
| | Storage temperature | $^\circ\text{C}$ | -25~+70 |
| Installation | Tmrminal connection type | | Cable/U-type busbar/pin-type busbar |
| | Terminal size top/bottom for cable | mm ² | 16 |
| | | AWG | 18-5 |
| | Terminal size top/bottom for BUSBAR | mm ² | 10 |
| | | AWG | 18-8 |
| | Tightening torque | N*m | 2 |
| | | In-lbs | 18 |
| Mounting | | On DIN rail EN 60715(35mm) by means of fast clip device | |
| Conection | | From bottom | |

Keyword: 10-60A, 2,4Pole, African models circuit breaker and ELCB

SCGD ELCB

Application

SCGD earth leakAge circuit breaker,its rated current is adjustable from 10A up to 60A .User can select suitable current for better protection against overload and short circuit.



Specifications

| Type | SCGD230 | SCGD430 |
|----------------------------|----------------------------------|---------|
| Poles | 2P | 4P |
| Rated Voltage(V) | 250V/440V | |
| Rated Current(A) | 10 15 20 30 45 50 60A adjustable | |
| LeakAge Motion Current(mA) | 500mA | |
| LeakAge Dead Current(mA) | 250mA | |
| Standard | NFC61450 | |

SCGD Series leakAge overload breaker

Application

SCGD earth leakAge circuit breaker is suitable in AC 50Hz,250/440V circuit with overload and overload and earth leakAge protection. The rated current is adjustable from 10A up to 60A.User can select suitable current for better protection against overload and short circuit.



Specifications

| Type | SCGD230 | SCGD430 |
|----------------------------|----------------------------------|-------------|
| Poles | 2P | 4P |
| Rated Voltage(V) | 250V/440V | |
| Rated Current(A) | 10 15 20 30 45 50 60A adjustable | |
| LeakAge Motion Current(mA) | 300mA 500mA | 300mA 500mA |
| LeakAge Dead Current(mA) | 150mA 250mA | 150mA 250mA |



Widespread use for southeast Asia market
Earth leakage current is adjustable
patent product

Keyword: 1-63A,1,2,3,4Pole, Leakage current is adjustable, With LED indicator, Commonly used products of the southeast Asian market

SM3L-63 Adjust Family Type Moulded Case And Earth Leakage Circuit Breaker

Application

SM3L-63 Series RCCB is suitable for the circuit of AC 50/60Hz, rated working voltage 230V and rated current 60A and below, to make indirect contact protection to the human being and protect the circuit against over current, short circuit and surge protector in buildings or other similar locations as well. Best selling circuit breaker in Southeast Asia.



Model and implication:

| | | | | | | |
|--------------------|------------------|------------------|---------------|----------------------------------|----------------|---------------------|
| S | M | 3 | L | 60 | G | Y |
| SUNTREE MCCB Brand | Designing number | Leakage function | Current grade | Over voltage Protection function | Remote control | Protection function |



Specifications

a. Over voltage protection technical data

| Choose shift position | Ino(mA) | In(mA) | Remark |
|-----------------------|---------|--------|---|
| 5mA | 4 | 8 | Power on close circuit breaker, press TEST, circuit breaker working, when the power supply normal, then press function button, the LED on. when press DIRECT the red light on, the products dont working. |
| 10mA | 8 | 12 | |
| 15mA | 12 | 18 | |
| 30mA | 18 | 30 | |

b. Over voltage protection technical data

| Testing current | Rated current | Start state | Testing time | Testing result |
|----------------------|---------------|-------------|--------------|----------------|
| 20 25 32 40 50 60 | 1.13In | Hot state | ≥ 1h | Non trip |
| | 1.45In | Hot state | 1h | Trip |
| | 5In | Cold state | ≥ 0.1s | Non trip |
| | 10In | Cold state | 0.1s | Trip |

Attentions:

- a. When use it, should choose the right one, if not the products cannt protect the circuit.
- b. TEST button should testing four times one month, checking the earth leakage function.
- c. When use it, should choose the right current, if not, the product dont have over current and short circuit protection functions.

Keyword: 6-32A,1+N Pole, Consumer Unit Mount, Distribtuion Board Mount
 SNT50/SNT50L MCB、RCD

Application

SNT50 series safety type mini circuit breakers features lively machine,excellent quality,beautiful appearance,small volume. The product is suitable for AC 50Hz, rated voltage up to 240V, rated current up to 32A, it is used for protection of the overload and short circuit of all kinds of modern family applicable apparatus. It can also be used for unfrequented operation and control.



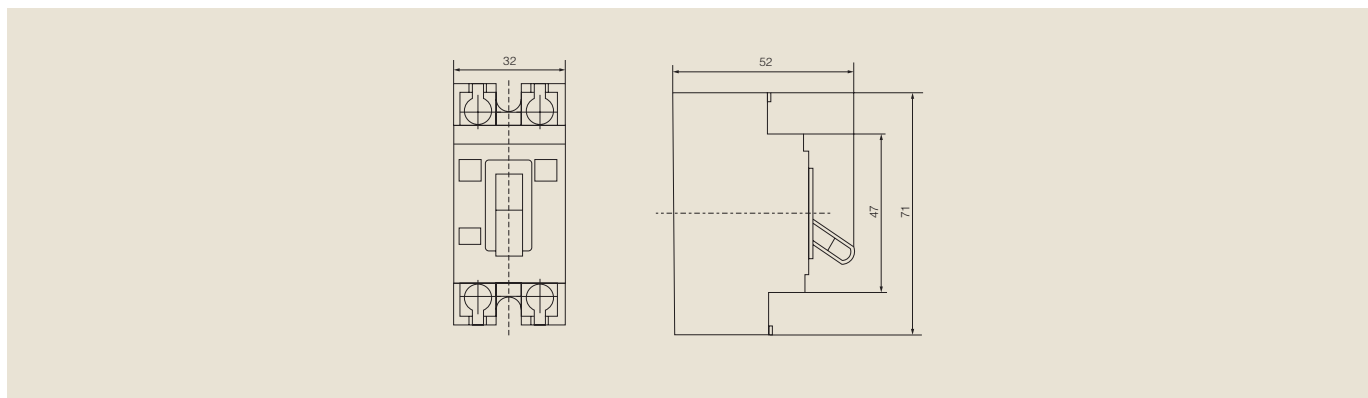
SNT50 MCB

| | |
|--------------------|-----------------------------|
| Standard | IEC60898 |
| Number of pole | 1P+N,2P |
| Rated current (In) | 6,10,15,20,25,32 |
| Rated voltage(Un) | 115/230V |
| Rated frequency | B,C |
| Tripping curve | ≥ 6000 times |
| Electrical life | 10000 times |
| Tropical ration | Treatmen 2(RH95%, at 55°C) |
| Protection degree | IP20 |

SNT50L Residual current circuit breaker

| | |
|--------------------|----------------------|
| Number of pole | 1P+N,2P |
| Rated current (In) | 6,10,15,20,25,32 |
| Rated voltage(Un) | 115/230V |
| I Δ n(mA) | 10,15,30 |
| I Δ n(mA) | 5,7.5,15 |
| Tripping curve | ≥ 6000 times |
| Electrical life | 10000 times |
| Im(A) | 115V/1500,230V/1000V |
| Protection degree | IP20 |

Dimensions



Plug in/out style surge protective device

Remote signaling interface, could be remote control

Suitable for the wind power generation and PV system



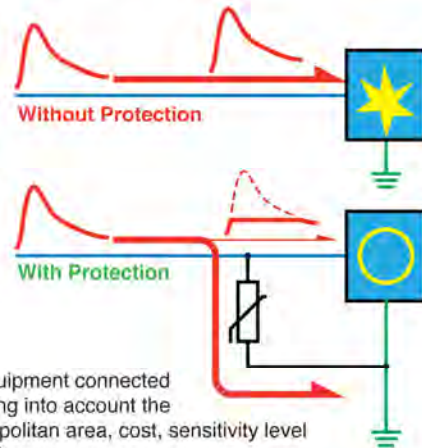
Comply with IEC61643-1, IEC61643-21 and UL1449 ed.2 Standards

Lightning induced surges and electrostatic discharges can create very strong electromagnetic radiation over long distances, which can destroy all equipments connected to any nearby power lines. Whether routed inside or outside the buildings, all lines are at risk from such discharges and therefore the use of Surge Protection Device (SPD) is highly recommended for protecting the equipments that are connected to the power lines.

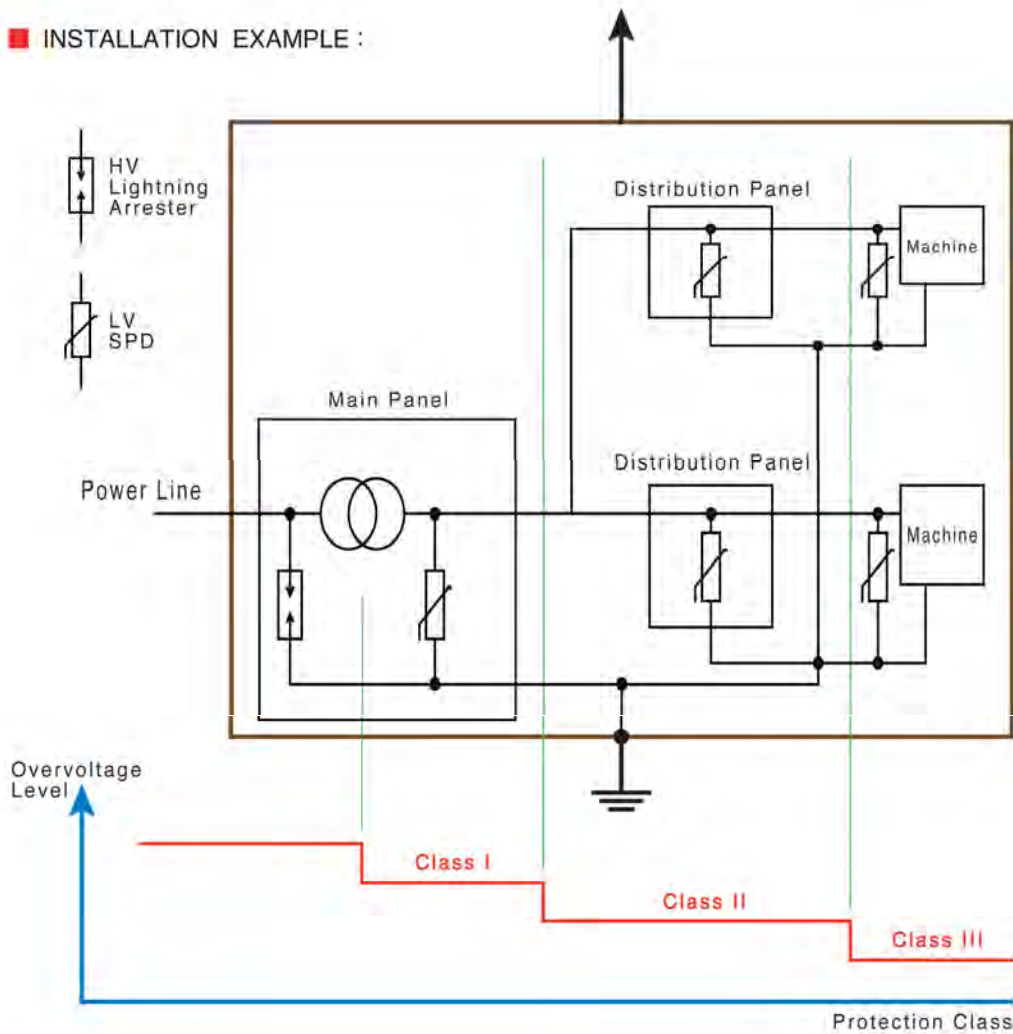
Also, surge can be induced by impulse current generated from internal supplying system and the ON and OFF (start and stop) of the power equipments such as arc furnace, motor, electrical and mechanical switching, capacitive and inductive load...etc. These surge currents would destroy any precise electronic device, cause error message or failure of power equipments, shorten their life expectancy and eventually break down the entire power plant. This is why Surge Protection Device is developed.

The induced surge currents are diverted to the earth before they can reach the equipments connected to the downstream power network while the overvoltages are kept to a harmless level and the equipments are kept running safely and normally.

These Surge Protection Devices are recommended for protecting any equipment connected to main power supplies. The selection of the product type is done by taking into account the exposition degree to lightning of the area, installation in isolated or metropolitan area, cost, sensitivity level of the equipment, the neutral earthing system and the installation method.



■ INSTALLATION EXAMPLE :



Keyword:1P, 2P, 3P, 4P, (+NPE), Similer OBO, I_{max}: 100kA, IEC6164-1

SUP1-D、C、B Surge protective device

Application

SUP1(D, C, B) 5 series surge protection device (in short: SPD, alias: surge suppressor, surge arrester) is suitable for TN-S, TN-C-S, TT, IT etc. power supply system of AC 50/60Hz, <380V, installed on the joint of LPZ1 or LPZ2 and LPZ3, it's designed according to IEC61643-1, GB18802.1, it adopts 35mm standard rail, there is a failure release mounted on the module of surge protection device. When the SPD fails in breakdown for over-heat and over-current, the failure release will help electric equipments separate from the power supply system and give the indication signal, green means normal, red means abnormal, it also could be replaced for the module when has operating voltage.



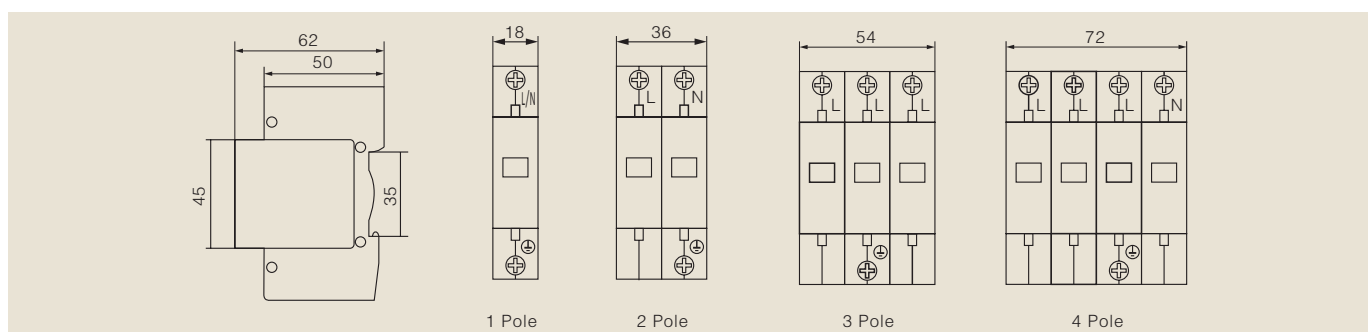
Product features

- Could be replaced for the module not need power off.;
- Maximum current of endure the lightning stroke 40kA (8/20 μs).
- Time of response <25ns.;
- The color of visible window shows operating status, green means normal, red means abnormal.

Specifications

| | | | | | | |
|--|--|-------|-------|-------|-------|-------|
| Technical Parameters | SUP1 D.C.B | | | | | |
| Protection Level B,C,D Grade | D.C.B | | | | | |
| Rated Operating Voltage Un(V~) | 380V /220V | | | | | |
| Maximum Continuous Operating Voltage Uc(V~) | 275V | 320V | 385V | 385V | 385V | 420V |
| Voltage Protection Level Up(V~)kV | ≤ 1.0 | ≤ 1.2 | ≤ 1.8 | ≤ 2.0 | ≤ 2.2 | ≤ 2.8 |
| Nominal Discharge Current In(8/20s)kA | 5 | 10 | 20 | 30 | 40 | 60 |
| Maximum Discharge Current I _{max} (8/20s)kA | 10 | 20 | 40 | 60 | 80 | 100 |
| Response Time (ns) | <25 | | | | | |
| Test Standard | IEC61643.1,GB18802.1 | | | | | |
| Operating Environment (centigrade) | -40°C ~ +85°C | | | | | |
| Max Connection Line | 35mm ² hard wire/ 35mm ² strand wire copper line | | | | | |
| Recommended Connection Line | 16mm ² hard wire/ 25mm ² strand wire copper line | | | | | |
| Installation | Standard Rail 35mm | | | | | |
| Material of Outer Covering | Burning-proof Nylon | | | | | |

Dimensions



Keyword: with Fuse, I_{max}: 120kA, 1P, 2P, 3P, 3P+NPE, 4P, Similar DEHN guard

SUP2 Surge protective device

Application

SUP2 series surge protective device (hereinafter called SPD) is suitably used in the TT、TN-S、TN-C、IT、TN-C-S and etc power supply system of AC 50/60Hz, rated voltage 380V and below, to protect from direct and indirect lightning impulse and other transient over voltage.SPD meets with GB18802.1/IEC61643-1 standard

Installation

SUP2 is mounted between LPZ1 or LPZ2 zone and LPZ3 zone. The cross sectional area of multi-strand soft copper conductor to be connected: 2.5~ 35 mm². It is used in distribution boxes of living house, computer center, communication equipment, electronic equipment and control equipment or nearestsocket box.

NS6-40 is mounted between LPZ0B or LPZ1 zone and LPZ2 zone. The cross sectional area of multi-strand soft copper conductor to be connected: 2.5~ 35 mm².

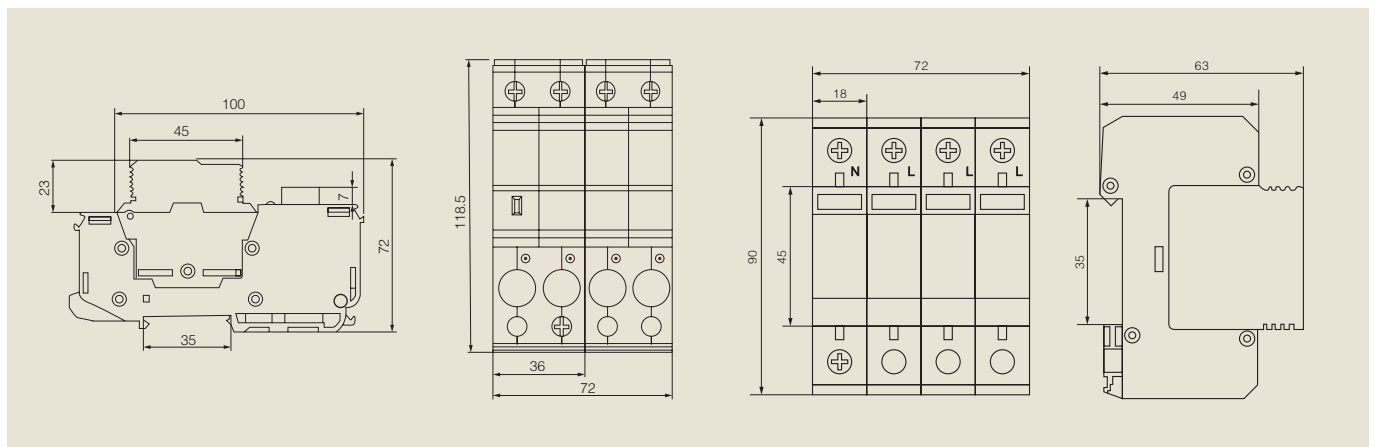


Remote signaling interface

Specifications

| Type& Specs | SUP2-15 | | SUP2-40 | | SUP2-65 | | SUP2-80 | | SUP2-100 | | SUP2-120 | |
|--|---|-----|---------|-----|---------|-----|---------|-----|----------|-----|----------|-----|
| Max Continuous operating voltage U _c (VAC) | 420 | 275 | 420 | 275 | 420 | 275 | 420 | 275 | 420 | 275 | 420 | 275 |
| Protection voltage level U _p (kV) ≤ | 1.2 | 1.0 | 1.8 | 1.5 | 2.5 | 1.5 | 2.5 | 1.8 | 2.8 | 2.0 | 3.0 | 2.0 |
| Max.discharging current (8/20 μ s) I _{max} kA | 15 | | 45 | | 65 | | 80 | | 100 | | 120 | |
| Max.discharging current (8/20 μ s)I _{max} kA | 5 | | 15 | | 30 | | 40 | | 50 | | 60 | |
| Response time (ns) | <25 | | | | | | | | | | | |
| Invalidation indicating | Aging invalidation: white: Normal ; red: invalidated | | | | | | | | | | | |
| Protection degree | IP20 | | | | | | | | | | | |
| Application | Protection for incoming line | | | | | | | | | | | |
| Remote signal function | Can be ordered | | | | | | | | | | | |
| Remarks | Other max continuous voltage (U _c) should be customized | | | | | | | | | | | |

Dimensions



Keyword: I_{max}: 120kA, 1P, 2P, 3P, 4P. Arch design, Similar CITELE, Standard rail 35mm, Fiber glass reinforced plastic

SUP3 Surge protective device

Application

SUP3 series surge protective device (hereinafter called SPD) is suitably used in the IT, TT, TN-C, TN-S, TN-C-S and etc power supply system of AC 50/60Hz, rated voltage up to 380V, to protect from direct and indirect lightning impulse and other transient over voltage. As per the conditions of IEC61643-1:1998-02 standard, Class I surge protective device, it is category B surge protective device.



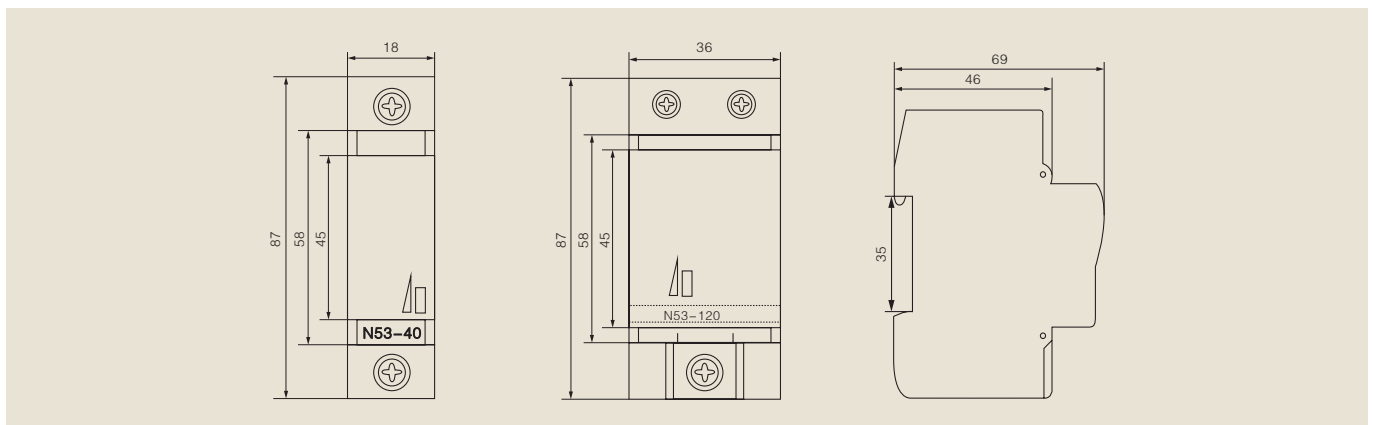
Operation Elements

- Single pole structure, single pole or three poles combined SPD available.
- SPD has built-in disconnecter, when SPD is invalid due to overheating or breakdown, the disconnecter can automatically separate SPD from the network, meanwhile send an indication signal.
- The visible window show white color in normal service, if to be separated from network, it will show red color. It can adopt Kelvin wiring mode.
- Large current carrying capacity, fast response time, low residual voltage.

Specifications

| Type& Specs | SUP3-15 | | SUP3-40 | | SUP3-60 | | SUP3-80 | | SUP3-100 | | SUP3-120 | |
|---|--|-----|---------|-----|---------|-----|---------|-----|----------|-----|----------|-----|
| Max Continuous operating voltage U _c (VAC) | 420 | 275 | 420 | 275 | 420 | 275 | 420 | 275 | 420 | 275 | 420 | 275 |
| Protection voltage level U _p (kV) ≤ | 1.0 | 1.0 | 1.8 | 1.5 | 2.5 | 1.5 | 2.5 | 1.8 | 2.8 | 2.0 | 3.0 | 2.0 |
| Max. discharging current (8/20 μs) I _{max} kA | 15 | | 45 | | 60 | | 80 | | 100 | | 120 | |
| Nominal discharging current (8/20 μs) I _n kA | 5 | | 15 | | 30 | | 40 | | 50 | | 60 | |
| Response time (ns) | <25 | | | | | | | | | | | |
| Invalidation indicating | Aging invalidation: white: Normal ; red: invalidated | | | | | | | | | | | |
| Protection degree | IP20 | | | | | | | | | | | |
| Application | Protection for incoming line | | | | | | | | | | | |

Dimensions



Keyword: 1P, 2P, 3P, 4P, (+NPE), Similer Schneider, I_{max}: 80A

SUP4 Surge protective device

Application

SUP4 series Switch type high-energy surge protective. Apply for power supply system below 380VAC.

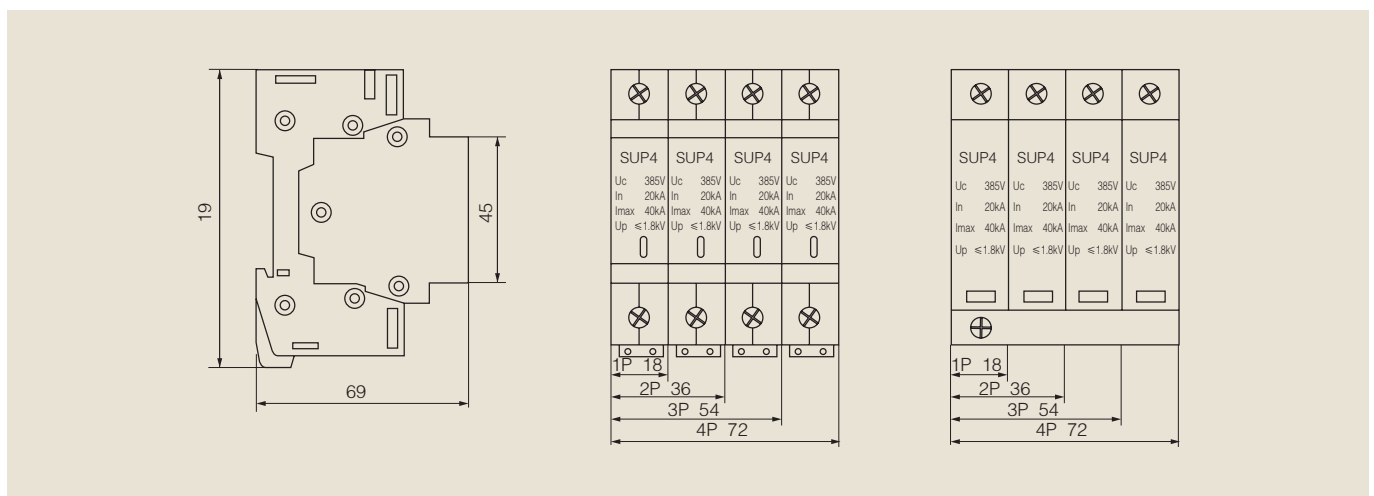
- Could be replaced for the module not need row cut.
- Maximum current of endure the lightning stroke 65kA(8/20 μ s).
- Time of response < 25ns.
- The color of visible window shows operating status, green means normal, red means abnormal.



Specifications

| | | | | | | |
|--|--------------------------------|-------|-------------------|-------|-------------|------|
| Rate Operating Voltage U _c (V~) | 220V/380V | | | | | |
| Maximum Continuous Operating Voltage U _c (V~) | 275V | 440V | 275/320/385V | 440V | 375/385V | 440V |
| Voltage Protection Level U _p (V~)kA | ≤ 0.8 | ≤ 1.0 | ≤ 1.0 ≤ 1.4 ≤ 1.6 | ≤ 1.8 | ≤ 1.8 ≤ 2.2 | 2.4 |
| Nominal Discharge Current I _n (8/ μ 20 μ s)kA | 5 | 10 | 15 | 20 | 30 | 40 |
| Maximum Discharge Current I _{max} (8/ μ 20 μ s)kA | 10 | 20 | 30 | 40 | 60 | 80 |
| Response Time (ns) | < 25 | | | | | |
| Test Standard | GB18802、IEC61643-1 | | | | | |
| The Cross Section of L/N Line | 6 | 10 | | | 16 | |
| The Cross Section of PE Line | 10 | 16 | | | 25 | |
| Fuse or Switch(A) | 10 | 16、32 | | | 40 | |
| Operating Environment °C | -40°C ~ +85°C | | | | | |
| Relative Humidity(25°C) | ≤ 95% | | | | | |
| Installation | Standard Rail 35mm | | | | | |
| Material Of Outer Covering | Fiber glass reinforced plastic | | | | | |

Dimensions



Keyword: Max current: 63A, Standard rail 35mm, Household AC Contactor
 HC1 series Modular Contactor

Application

HC1 series modular contactor is mainly used for the electric power system with AC 50Hz (or 60Hz) and rated working voltage up to 400V. Under the using category of AC-7a, the product can serve for remote switch and master circuit control in the circuit with rated working voltage up to V and rated working current up to 63A. This product can be used for loading control of household electrical appliance and low induction loading and household motor with similar usages.



Specifications

| | | | | |
|--|-------|-------|--------|--------|
| AC-1/AC-7A switching of heaters | HC120 | HC125 | HC140 | HC163 |
| Rated operation current Ie(NO) | 20A | 25A | 40A | 63A |
| Rated operation current Ie(NC) | 20A | 25A | 30A | 30A |
| Rated operation power(NO) | | | | |
| 230V Single-phase | 4.0kW | 5.3kW | 8.8kW | 13.8kW |
| 230V Three-phase | - | 9kW | 15.2kW | 24kW |
| 400V Three-phase | - | 16kW | 26kW | 41kW |
| AC-3/AC-7B switching motors | | | | |
| Rated operation current Ie(NO) | 9A | 9A | 22A | 30A |
| Rated operation current Ie(NC) Rated operation power(NO) | 9A | 6A | - | - |
| 230V Single-phase | 1.3kW | 1.3kW | 3.7kW | 5kW |
| 230V Two-phase | - | 2.2kW | 5.5kW | 8kW |
| 400V Four-phase | - | 4kW | 11kW | 15kW |

Dimensions

Weight: ≤ 125g
 Environmental temperature: -5°C ~ +40°C
 Mechanical lifetime: not less than 1x10⁵ times
 Electric lifetime: not less than 3x10⁴ times

Other product for MCB

Hager Series



Hager Series



TSM Series



